



KIOTI TRACTOR

PX

SERIES



FEATURING

ECO TECHNOLOGY

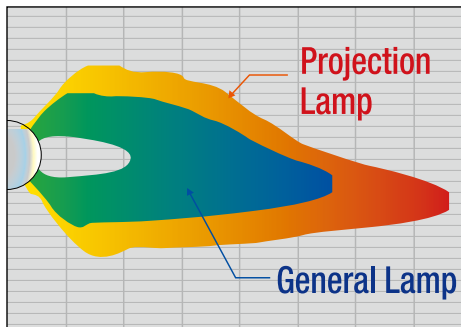


KIOTI

PX Series

EXTERIOR

The PX Series combines modern design and robust functionality into one powerful workhorse.



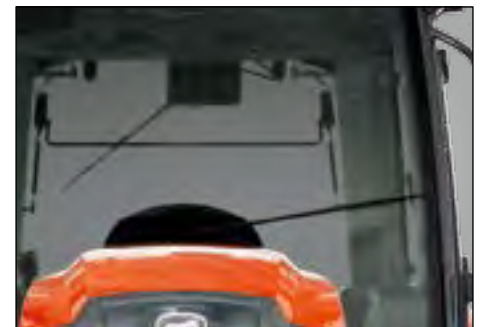
Projection Lamp

Newly designed headlights allow the operator to work safely in low light conditions.



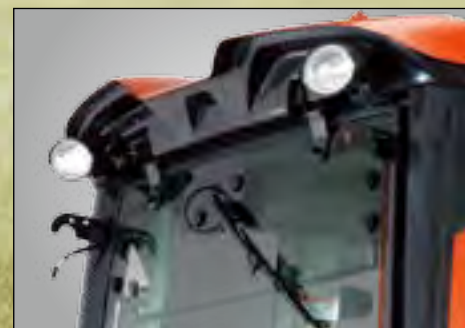
One-Piece Hood

This allows for increased accessibility to components for easy maintenance and inspection.



Front and Rear Window Wipers

The front windshield wiper is positioned lower for clear and unobstructed visibility for the operator. The rear wiper improves visibility even when working in reverse by keeping the window clean from rain and dust.



Rear Working Lamps

With rear adjustable working lamps, the operator can maneuver safely in low light conditions.



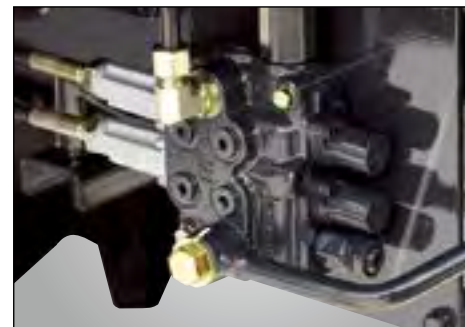
Rear Remote Hydraulic Valve

The PX Series comes standard with dual remote hydraulic valves to accommodate a wide variety of attachments and implements. PX Series tractors offer an optional third remote hydraulic valve.



Large Fuel Tank

The 34.3 gallon (130 l) fuel tank increases productive work time without the need for frequent re-fueling.



Joystick Valve

The joystick valve comes standard for loader operation.



Ergonomically Designed Levers

Ergonomic levers help to reduce operator fatigue and a color coded lever system allows for easy operation.



CD Player

Enjoy a day at work while listening to the standard CD player with AM/FM radio.



Air Conditioning System

Climate control ensures comfortable working conditions for the operator throughout all seasons.



INTERIOR

The standard PX Series deluxe cab includes: a panoramic windshield, A/C and heat, auxiliary power outlet, rearview mirror and ventilating roof panel.



Deluxe Suspension & Swivel Seat

A fully adjustable suspension and swivel seat allows the operator to ride in comfort no matter what the task may be.



Power Shuttle Lever

The power shuttle lever enables easy back-and-forth operation, dramatically reducing operator fatigue. The power shuttle provides softer shuttle operation and allows the operator to perform loader work without pressing the clutch pedal.



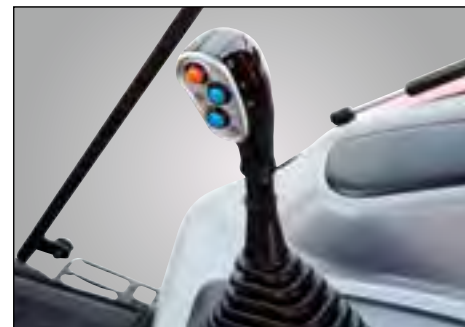
Adjustable Steering Wheel and Instrument Panel

A tilting instrument panel and steering wheel allow the perfect fit for each operator.



Joystick Lever

The conveniently located joystick lever reduces operator fatigue when using the loader.



Main Gear Shift Lever (with Hand Clutch & Hi-low)

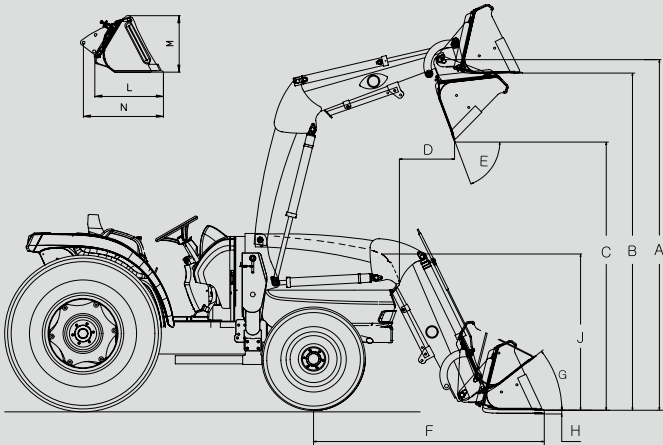
By using the hand clutch on the PX Series, the main gear lever can be shifted without using the clutch pedal. The operator can select the "hi" or "low" speed of any gear by simply pressing a button on the lever.

Performance

PX Series high-performance tractors pack impressive power and smooth handling into one dependable workhorse. With many standard features including an operator friendly cab, the PX Series is ready for any job that demands a durable tractor.

Front Loader

The KIOTI KL Series loaders are built strong and feature heavy lift capacity with greater lift height and high quality components that enable you to tackle any kind of job with confidence.



Loader Specifications

MODEL	KL1153			
A. Maximum Lift Height to Pivot Pin	143.3 in.	3,640 mm		
B. Clearance w/ Attachment Level	137 in.	3,480 mm		
C. Clearance w/ Attachment Dumped	113.4 in.	2,880 mm		
D. Reach at Maximum Height	15.4 in.	390 mm		
E. Maximum Dump Angle	66 °			
F. Reach w/ Attachment on Ground	86.6 in.	2,200 mm		
G. Maximum Rollback Angle	42 °			
H. Digging Depth Below Grade	7.9 in.	200 mm		
J. Overall Height in Carry Position	70.8 in.	1,800 mm		
L. Depth of Attachment (to back of inner shell)	27 in.	685 mm		
M. Height of Attachment	23.7 in.	602 mm		
N. Length of Attachment (to pivot pin)	34.5 in.	876 mm		
Lift Capacity to Maximum Height at Pivot Pins	4,190 lbs			
Breakout Force at Pivot Pin	8,310 lbs			
Bucket Rollback Force at Ground Line	6,175 lbs. (@ 31.5 in. forward of pivot)			
Relief Valve Setting (Loader Control Valve)	2,600 psi			
Rated Flow (Tractor System)	19.3 gpm			
Bucket Size (QA)	90 in.			
Bucket Weight	352.5 lbs. (160 kg)			
Weight (Without Bucket)	1,720 lbs. (780 kg)			
Bucket Capacity	25.8 ft³			
Cycle Times	Raise Boom	Lower Boom	Dump Bucket	Retract Bucket
Idle Max. (2,350 rpm)	4.1 sec	3 sec	1.8 sec	2 sec

*Specifications and design are subject to change without notice.



*Dynamic and
Linear Design*
PX Series



Specifications



ISO 9001
NO:954596



ISO 14001
NO:771475



OHSAS 18001
NO:K033008

MODEL		PX9530PC	PX1053PC	PX1153PC
ENGINE				
Model		DL03-LEA09	DL03-LEA08	DL03-LEA07
Type		4Cyl., In-line Vertical, Water-cooled		
Engine Gross	hp (kW)	93 (69.3)	103 (76.8)	110 (82)
PTO	hp (kW)	79.1 (59)	86.6 (64.6)	92.2 (68.8)
Displacement	cu. in. (cc)	208 (3,409)		
Rated Revolution	rpm	2,200		
Fuel Tank Capacity	U.S. gal. (ℓ)	34.3 (130)		
DRIVE TRAIN				
Clutch		Wet Multi Disc Clutch		
Transmission		Synchronized		
Shuttle Type		Power Shuttle		
Speeds		32F/32R		
Brakes		Wet Disc Type		
PTO		Independent		
Rear PTO (Standard)	rpm	540/1000		
4WD Type		Electric/Hydraulic		
HYDRAULIC SYSTEM				
Pump		Gear		
Pump Capacity (Max. flow rate)	gpm (L/min)	31.5 (119.2)		
3-Point Hitch		Category II		
Maximum Lifting Capacity (24" aft. of hitch)	lb. (kg)	8,002 (3,630)		
Hydraulic Lift Control System		Position, Draft, Mixed Control		
Remote Valves		1st, 2nd Standard (3rd Optional)		
Steering		Power Steering		
TIRE SIZE				
Front AG.		12.4-24	13.6-24	
Rear AG.		18.4-34		
TRAVELING SPEEDS				
Forward	mph (km/h)	0.41~24.87 (0.66~40.02)		
Reverse	mph (km/h)	0.41~24.69 (0.66~39.74)		
DIMENSIONS				
Overall Length (includes 3-pt hitch)	in. (mm)	168.9 (4,290)		
Overall Width (minimum tread)	in. (mm)	88.6 (2,250)		
Overall Height	in. (mm)	107.9 (2,740)	109 (2,770)	
Wheelbase	in. (mm)	93.3 (2,370)		
Min. Ground Clearance	in. (mm)	19.5 (495)		
Tread	Front (AG)	in. (mm)	65.4 (1,660)	66.1 (1,680)
	Rear (AG)	in. (mm)	70.5 (1,790)	
Weight with Cab and AG. Tires	lb. (kg)	8,976 (4,071)	9,064 (4,111)	

*NOTE: Specifications and design are subject to change without notice.

Standard Equipment

- 1st / 2nd Remote Hydraulic Valve
- Creep Speed Gear
- Draft Control
- 4WD
- Auto 4WD Brake
- Auto PTO
- PTO Cruise
- Battery Disconnect Switch
- Joystick Valve
- 7 Pin Socket / 3 Pin Socket
- External 3-Point Lift Control
- PTO Cover
- Interchangeable PTO Shafts (540/1,000 rpm)
- Work Light
- Head, Signal, Backup and Cabin Lamp
- Rear Window Defroster
- Front/Rear Window Wiper
- Rear View Mirror
- Telescoping Side View Mirrors
- Sun Visor
- CD Player with AM/FM Radio
- Cup Holder
- Swivel Seat
- Power Outlet (2 EA)
- Dual Air Cleaner
- Hand Clutch
- Hi-Low Shift
- Parking Brake
- Parking Brake Buzzer
- Tilt Steering Wheel
- Illuminated Dashboard

Optional Equipment

- Third Remote Hydraulic Valve
- Front Weights
- Front Fenders
- LED Work Light
- Beacon Lamp Wiring Kit
- Beverage Cooler
- Locking Fuel Tank Cap
- Backup Alarm
- Block Heater

Available KIOTI Attachments

- Front End Loader



KIOTI Tractor Division
DAEDONG - USA, INC.
6300 KIOTI Drive, Wendell, NC 27591
toll free 877-GO-KIOTI • fax 919-374-5001
web www.KIOTI.com



www.facebook.com/KiotiTractor



Dealer Imprint Area

Part Number LIT-PX-ALL