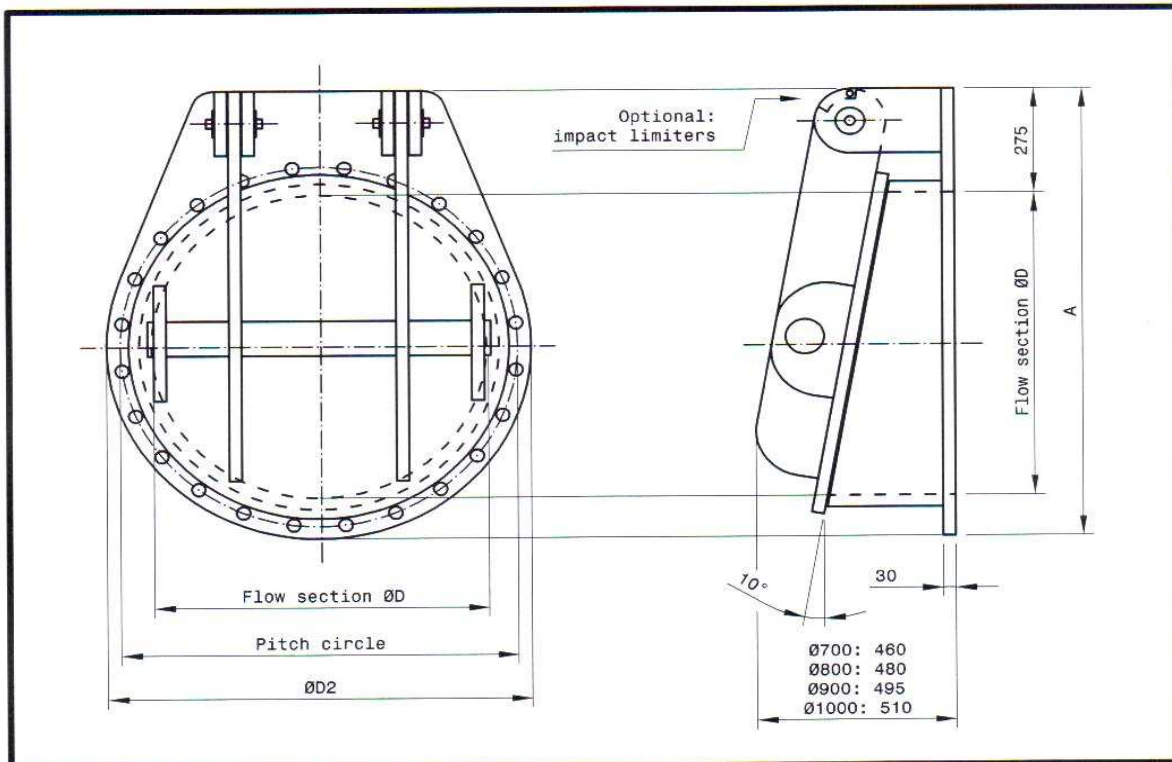


**clapet de nez en PEHD DN 700-1000**

**Check valve Ø700-Ø1000 type F**



ØD	pitch circle	ØD2	A	weight
Ø700	Ø840 (24x M27)	Ø895	1073	55 kg.
Ø800	Ø950 (24x M30)	Ø1015	1183	60 kg.
Ø900	Ø1050 (28x M30)	Ø1115	1283	75 kg.
Ø1000	Ø1160 (28x M33)	Ø1230	1390	85 kg.

Material specification

Frame and valve - HDPE-300  
 Sealing - EPDM  
 Valve axles - Stainless AISI316

Supplemental data

Max. pressure : 0.6 bar (8.7 psi)  
 Flange : PN10 (DIN 16963-4)  
 An air bleed connection and impact limiters can be supplied when the valve is used as a pump discharge valve.

