

# Barriere per bordo laterale su rilevato

Single sided guardrails



# steel safety on roadways

Require Marcegaglia Buildtech full range of steel road safety barriers: from the **steel partner**, steel safety on roadways.

Marcegaglia Buildtech safety barriers solutions are part of Marcegaglia steel production chain and are engineered, assembled then **tested** in order to comply with specific **norm requirements**.

## Certificazioni

*Certifications - Zertifizierungen - Certifications - Certificaciones*

- **RINA ISO 9001:2008** certificato N. 12370/05/S
- **IQNet - CISQ/RINA** Quality Management System **ISO 9001:2008** Registration N. IT-42009
- **Certificati CE** di costanza della prestazione

## Crash tests

*Crash tests - Crash-Tests - Essais de chocs - Crash tests*



## Classe H2 Bordo Laterale - Barriera 3 onde singola su rilevato W5

Class H2 Roadside - 3-waves single sided guardrail W5

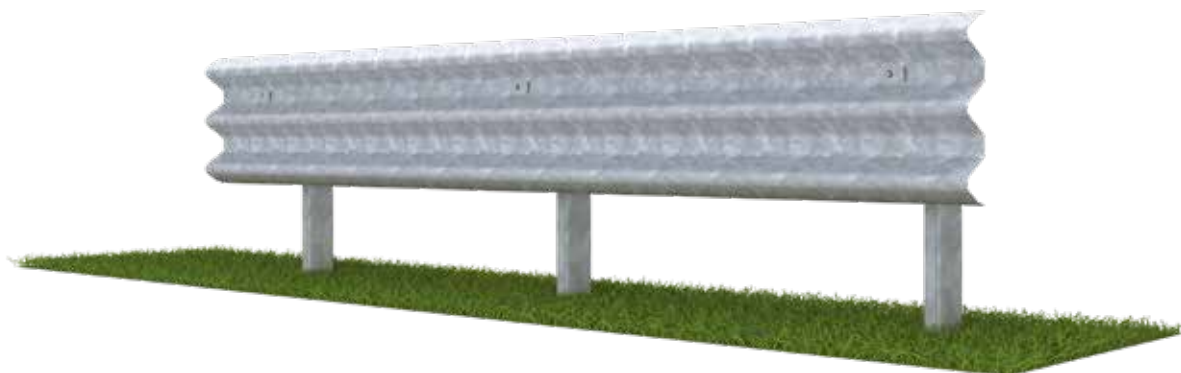
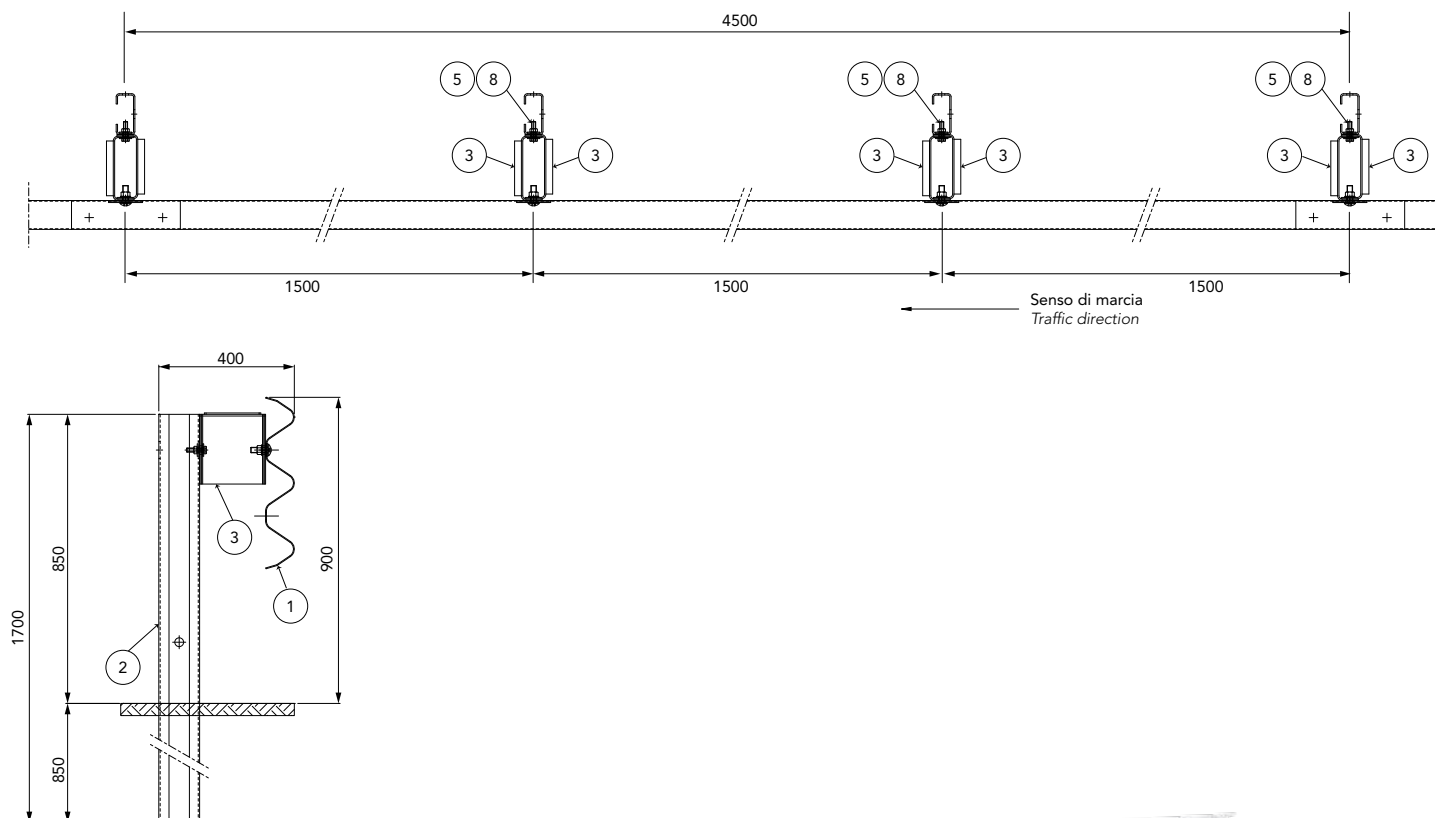
Aufhaltestufe H2 für rammfähige Böden - 3-welliges Rückhaltesystem W5

Classe H2 Bord latéral - Glissière 3 crosses simple sur remblai W5

Clase H2 Borde lateral - Barrera de triple onda simple sobre base terreno W5

# H2-W5

## 3-waves 2015



### Caratteristiche Characteristics, Eigenschaften, Caractéristiques, Características

<b>Altezza fuori terra</b> Height above ground level, Höhe über Grundboden, Hauteur hors sol, Altura sobre el suelo	900 mm
<b>Profondità d'infissione</b> Depth of penetration, Rammtiefe, Profondeur de piling du poteau, Longitud hincada	850 mm
<b>Ingombro trasversale</b> Overall width, Gesamtbreite, Grosseur hors tout, Anchura total	400 mm
<b>Interasse pali</b> Post spacing, Steherabstand, Distance entre poteaux, Distancia entre postes	1500 mm

### Rapporti di prova Crash test reports, Testberichte, Comptes rendus d'essais, Relaciones de pruebas

Test n.	Facility	Test	Type	Barrier length MTL	Mass kg	Speed km/h	ASI max 1.4	THIV max 33 km/h	D m	Vi m	W m
PROVA 1205	Aisico	TB51	Laterale 20°	67,50	13.000	70	-	-	1,5	1,7	1,6=W5
PROVA 1206	Aisico	TB11	Laterale 20°	67,50	900	100	1=A	33	0,5	-	0,9=W3

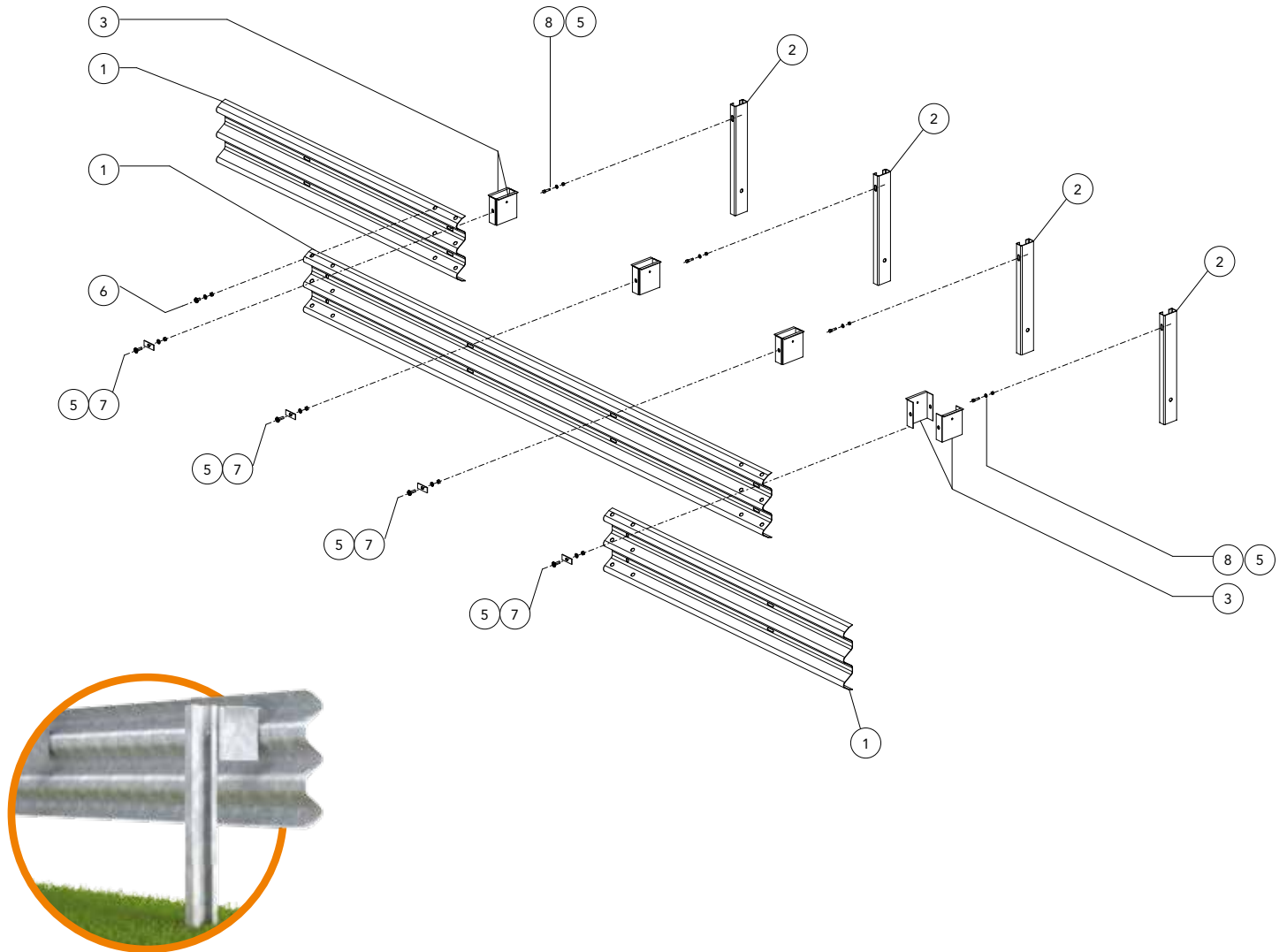
**Sales office:**

**MARCEGAGLIA BUILDTECH guardrail division**  
 strada Roveri, 4  
 15068 Pozzolo Formigaro, Alessandria - Italy  
 phone +39 . 0143 77 61 • fax +39 . 0143 77 63 53

[guardrail@marcegaglia.com](mailto:guardrail@marcegaglia.com)  
[www.marcegagliabuildtech.it](http://www.marcegagliabuildtech.it)

**Plants:**

**MARCEGAGLIA BUILDTECH Pozzolo Formigaro**  
 strada Roveri, 4  
 15068 Pozzolo Formigaro, Alessandria - Italy  
 phone +39 . 0143 77 61 • fax +39 . 0143 77 63 53



Componenti Components, Bauteile, Composants, Elementos			
	Descrizione Description		Materiale Material
8	<b>Bullone completo + rondella</b> Bolt with nut and washer + washer, Schraube komplett + unterlegscheibe, Boulon complet + rondelle, Tornillo completo con tuerca y arandela + arandela	M12x50 mm	Classe 8.8
7	<b>Bullone completo</b> Bolt with nut and washer, Schraube komplett, Boulon complet, Tornillo completo con tuerca y arandela	M16x50 mm	Classe 8.8
6		M16x30 mm	Classe 8.8
5	<b>Piastrina copriasola</b> Slot covering plate, Lochabdeckplatte, Plaque de couverture fente, Placa cubre-ranura	100x40x4 mm	S 275 JR
3	<b>Distanziatore</b> Spacer, Abstandhalter, Entretoise, Separador	189x61x200 Th=4 mm	S 275 JR
2	<b>Palo "C"</b> C-post, C-Steher, Poteau en C, Poste "C"	120x55x30 Th=4 H=1700 mm	S 275 JR
1	<b>Fascia 3 onde</b> 3-waves beam, 3-wellige Leitschiene, Glissière 3 crosses, Banda triple onda	L=4816 Th.2 mm	S 355 JR