



Tempo – compact and consistent

RVP251

Tempo is a complete floodlighting range offering a wide choice of lamp types and symmetrical and asymmetrical reflectors. It is designed for general-purpose floodlighting, and is particularly suited to small- to medium-scale area or surface lighting. The Tempo series' compact housing guarantees optimum visual integration. Anodized-aluminum reflectors ensure a highly efficient beam distribution, while the nylon bolt caps feature a goniometric aiming device for easy adjustment and alignment. A universal mounting bracket allows ceiling, wall or surface mounting with a wide range of adjustment for both down- and uplighting. Tempo's all-weather construction is designed to make cleaning and servicing easy and fast. Access to the lamp and gear is simple, via the hinged front glass with its quick-release stainless-steel clips. All Tempo luminaires are RoHS-compliant.

Avantages

- Complete floodlighting range with a wide choice of lamp types and symmetrical or asymmetrical reflectors for highly efficient beam distribution
- Ideal for a variety of outdoor applications from architectural, facade and billboard lighting to area and (leisure) sports lighting
- Optimal visual integration with compact housing and metallic grey finish

Fonctions

- Vaste choix de types de lampes
- Réflecteurs asymétrique et symétrique
- Boîtier compact avec finition gris métallique
- Dispositif d'orientation
- Vitre frontale à charnières avec clips d'ouverture rapide

PHILIPS

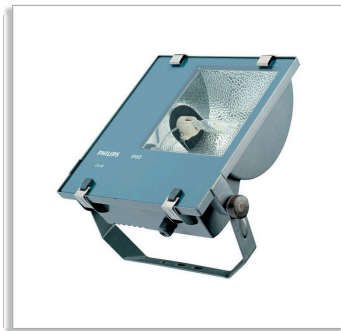
Application

- Façades
- Éclairage de grands espaces
- Éclairage architectural
- Panneaux publicitaires

Descriptions

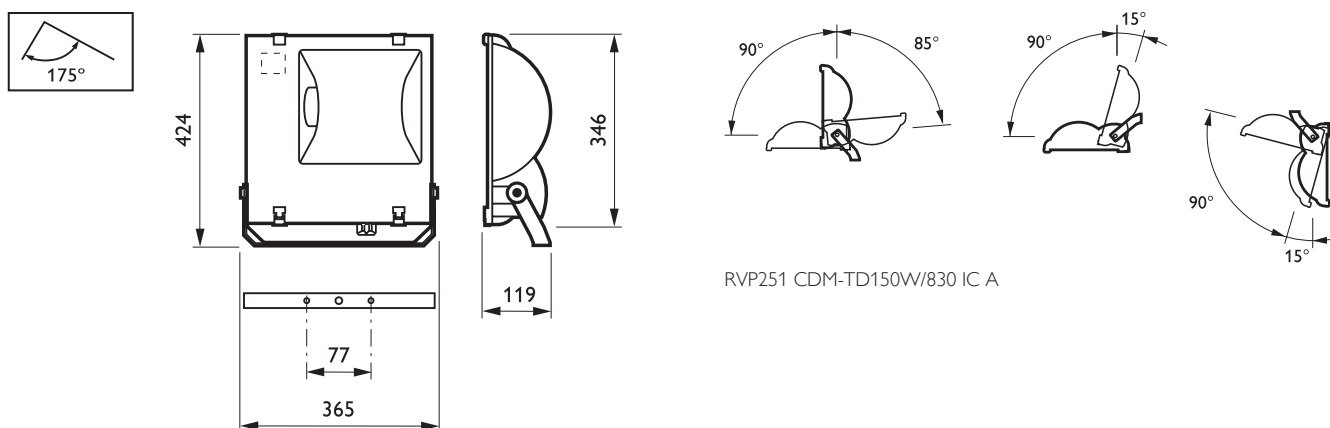
• Type	RVP251	• Color	Grey, RAL 9007, powder-coated Color-matched bracket, grommet and hinges
• Light source	HID: - 1 x MASTERColour CDM-TD / RX7s / 70, 150 W - 1 x MHN-TD / RX7s / 70, 150 W - 1 x SON-T / E27 / 70 W - 1 x SON-T / E40 / 150 W	• Installation	Ceiling, wall or floor mounting Cable entry via M20 cable gland Ambient temperature outdoor: 35°C Drag factor (SCx): 0.138 m ² Max adjustment from the horizontal: 175°
• Lamp included	Yes (K or light color 830 or 842)	• Maintenance	Hinged front glass with quick-release clips for in-position lamp replacement No internal cleaning required
• Gear and compensation (integrated)	Electromagnetic (low loss), 230 or 240 V / 50 Hz: - Inductive (IN) - Inductive, parallel compensated (IC)	• Main applications	Area, facade, billboard, architectural lighting
• Optic	Asymmetrical (A) Symmetrical (S)		
• Materials and finishing	Housing: die-cast aluminum, corrosion-resistant powder coating Glass: thermally hardened, 4 mm thick Gasket: premium bonded silicone Mounting bracket: steel Aiming device cap: nylon Fixation clips: stainless steel Reflector: anodized, high-purity aluminum		

Produits associés



Tempo 2 RVP251

Schéma dimensionnel



RVP251 CDM-TD150W/830 IC A

RVP251 CDM-TD150W/830 IC A

Détails sur le produit



Aiming device for easy adjustment and alignment



Integrated gear unit

Caractéristiques Générales

Code commercial	Désignation	Nombre de Source(s)	Code source	Puissance lampe	Couleur de la Source	Appareillage	IK	Optique	Marquage CE	Marquage ENEC
149561 00	RVP251	1	CDM-TD	150 W	830	CONV	IK07	A	CE	Non
149578 00	RVP251	1	CDM-TD	150 W	830	CONV	IK07	S	CE	Non
149608 00	RVP251	1	MHN-TD	150 W	842	CONV	IK07	A	CE	Non
149615 00	RVP251	1	MHN-TD	150 W	842	CONV	IK07	S	CE	Non
149660 00	RVP251	1	SON-TTP	150 W	-	CONV	IK07	A	CE	Non
149677 00	RVP251	1	SON-TTP	150 W	-	CONV	IK07	S	CE	Non



© 2015 Koninklijke Philips N.V. (Royal Philips)
Tous droits réservés.

Les données sont sujettes à changement sans préavis. Les noms et marques sont la propriété de Koninklijke Philips N.V. (Royal Philips) ou de leurs ayants droits respectifs.

www.philips.com/lighting

2015, juin 9
Les données sont sujettes à changement