

**JUKI**

## **DDL-8700B-7**

Direct-drive, High-speed, 1-needle, Lockstitch Machine  
with Automatic Thread Trimmer



The sewing machine has been integrated  
with the control box  
and the operation panel for ease of use.

# **DDL-8700B-7**

**HELION sarl**

64 rue d'Avallon (R. N. 6)  
89460 Sainte Magnance  
( **03.86.33.07.07**  
*helion.pierre@wanadoo.fr*  
[www.helion.fr](http://www.helion.fr)



DDL-8700BS-7-WB

# DDL-8700B-7

The DDL-8700B-7 is a direct-drive, high-speed, lockstitch machine with an automatic thread trimmer that sews graceful, high-quality seams on many kinds of fabric.



## Thread trimming unit adjusting hole (Plain knife type)

Thread trimming unit adjusting hole is provided. Adjustment of the hook timing (temporary fixing) can be carried out without tilting the sewing machine.



## LED light is provided as standard.

A thinner LED light is provided near the needle entry area. Its illuminance can be adjusted in five step.



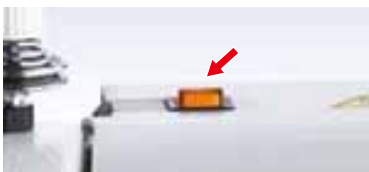
## Touch back switch

The operator can adjust the position of the touch-back switch for easier operation according to the sewing product and other sewing conditions.



## Power switch

The power switch is built into the control box to facilitate fabric placement onto the sewing machine. The ON/OFF power switch can be checked from a distance to make sure the machine is never left ON.



## Direct-drive type

Since the sewing machine has no V-belt, the operator needs neither to clean up shavings from the V-belt, nor adjust the V-belt tension.

## Feed-cam timing adjusting hole

The adjusting hole is provided on the top of the arm. This hole facilitates adjustment of the feed-cam timing.

## Ports

Connectors can be inserted into the ports without removing the cover.

## Back



## The DDL-8700B-7 is the most reliable, sophisticated model developed in-house at JUKI.

### Multi-function panel



Main function	Operation panels
Production support function (Bobbin thread counter, thread counter, etc.)	●
Automatic reverse-feed stitching (performed at start/end of sewing; selectable)	0~15 stitches
Double reverse-feed stitching (performed at start/end of sewing; selectable)	0~15 stitches
Constant-dimension sewing (performed at start/end of sewing; selectable)	0~999 stitches, 0~15 stitches
Rectangular stitching (performed at start/end of sewing; selectable)	0~99 stitches, 0~15 stitches
Multi-layer stitching	0~15stitches, 0~15times
Needle up/down correction (1 stitch stroke or needle up/down according to the internal setting) (changeable between "up → down" and "down → up")	●
Automatic sewing (constant-dimension sewing and the rectangular stitching can be selected)	●
Needle up/down compensation stitch	●
One shot	●
Soft start function on/off	●
Changeover the stop position between needle-up position and needle-down position	●
Thread trimmer on/off feature	●
ISS function (IT10, IT100)	▲

\* The function marked with a triangle (▲) is available on custom order.

### The machine has easy-to-operate functions to achieve improved operability.

By providing a presser foot with a higher lift (13mm), a light-touch stitch dial, a throat plate with marker grooves that can be used as guide for seam allowance, and other easy-to-operate functions, the burden on the operator is lightened, and productivity is further increased.



### The machine provided as standard with attachment mounting seats.

The machine is provided as standard with extra attachment mounting seats for attachment of new auxiliary parts in the future. The extremely high durability of the seats ensures an extended service with frequent replacement of attachments.



### Reliable thread trimming mechanism.



The machine comes with a thread trimming mechanism that performs speedy and reliable thread trimming to achieve highly efficient sewing work.

### Sewing mechanism that demonstrates outstanding responsiveness to materials to be sewn.

By thoroughly investigating and modifying the sewing mechanisms in order to achieve low-tension sewing, the machine flexibly responds to various kinds of materials and produces beautiful seams of consistent quality.

### The location of the hinge to prevent the sewing material from being caught by the hinge.

The hinge is located as such so as to prevent the material from being caught by it, thereby improving workability.



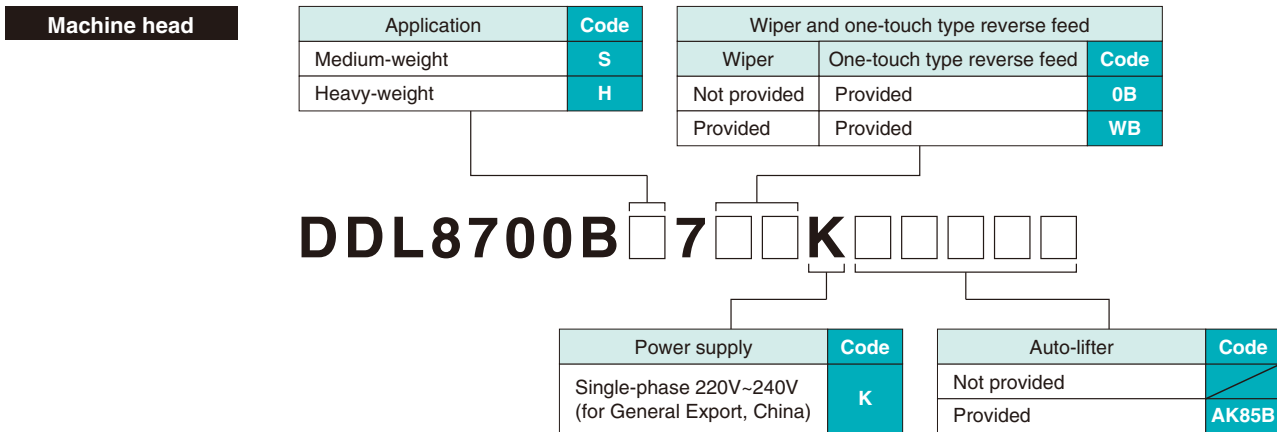
## SPECIFICATIONS

Model name	DDL-8700BS-7	DDL-8700BH-7
Application	Medium-weight	Heavy-weight
Max. sewing speed	5,000sti/min*	4,000sti/min*
Max. stitch length	4mm	5mm
Needle bar stroke	30.7mm	35mm
Lift of the presser foot	By hand: 5.5mm / By knee: 13mm	
Needle	DBx1 (#14) #9~#18 / 134(Nm90)	DBx1 (#21) #19~#23 / 134(Nm130)
Feed dog	4-row	
Hook	Automatic-lubricating full-rotary hook	
Lubrication	Automatic	
Lubricating oil	JUKI MACHINE OIL 7 (equivalent to ISO VG7)	
Automatic reverse feed function	Provided as standard	
Direct motor	400W	
Power requirement	Single-phase 200V~240V	
Power consumption	250VA	
Total weight	Machine head: 34kg / 38kg (with AK)	

\*"sti/min" stands for "Stitches per Minute."

## WHEN YOU PLACE ORDERS

Please note when placing orders, that the model name should be written as follows:



<b>JUKI ECO PRODUCTS</b>	<p><b>The DDL-8700B-7 is an eco-friendly product which complies with JUKI ECO PRODUCTS standards for protecting the environment.</b></p> <ul style="list-style-type: none"> <li>The sewing machine complies with the "Juki Group Green Procurement Guidelines" on the use of hazardous substances, which is stricter than other restrictions, such as those of the RoHS Directive.</li> </ul> <p><b>For details of JUKI ECO PRODUCTS, refer to : <a href="http://www.juki.co.jp/eco_e/index.html">http://www.juki.co.jp/eco_e/index.html</a></b></p> <p><small>*The RoHS Directive is an EU Directive limiting the use of 6 hazardous substances (lead, hexavalent chromium, mercury, cadmium, PBB and PBDE) in electrical and electronic equipment. The Juki Green Procurement Guideline is the voluntarily established criteria to eliminate not only the aforementioned six substances, but also other ones which also adversely affect the environment.</small></p>
--------------------------	---

**JUKI**  
**JUKI CORPORATION**  
 SEWING MACHINERY BUSINESS UNIT

2-11-1, TSURUMAKI, TAMA-SHI,  
 TOKYO 206-8551, JAPAN  
 PHONE : (81) 42-357-2254  
 FAX : (81) 42-357-2274  
<http://www.juki.com>

\* Specifications and appearance are subject to change without prior notice for improvement.  
 \* Read the instruction manual before putting the machine into service to ensure safety.  
 \* This catalogue prints with environment-friendly soyink on recycle paper.

**HELION sarl**  
 64 rue d'Avallon (R. N. 6)  
 89460 Sainte Magnance  
 ( 03.86.33.07.07  
[helion.pierre@wanadoo.fr](mailto:helion.pierre@wanadoo.fr)  
[www.helion.fr](http://www.helion.fr)



**JUKI CORPORATION HEAD OFFICE**  
 Juki Corporation operates an environmental management system to promote and conduct the following as the company engages in the research, development, design, sales, distribution, and maintenance of industrial sewing machines, household sewing machines, industrial robots, etc., and in the provision of sales and maintenance services for data entry systems:  
 (1) The development of products and engineering processes that are safe to the environment.  
 (2) Green procurement and green purchasing.  
 (3) Energy conservation (reduction in carbon-dioxide emissions)  
 (4) Resource saving (reduction of papers purchased, etc.)  
 (5) Reduction and recycling of waste  
 (6) Improvement of logistics efficiency (modal shift and improvement of packaging, packing, etc.)