




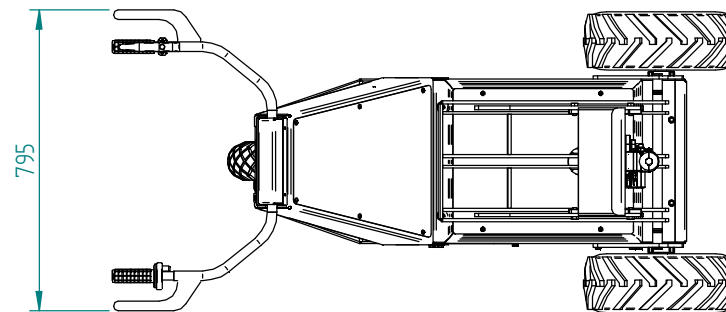
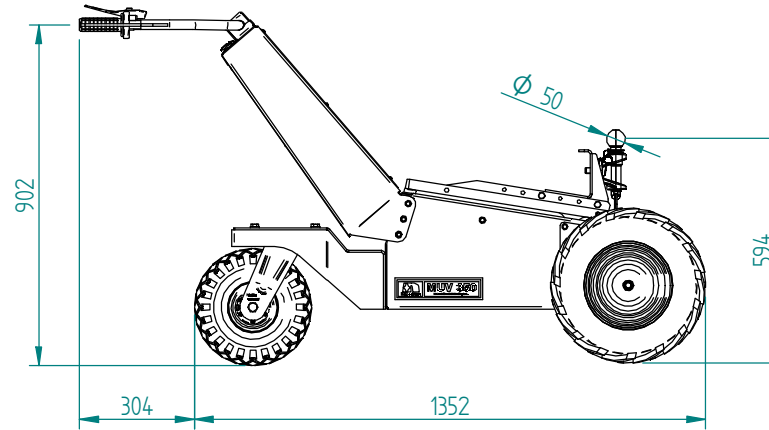
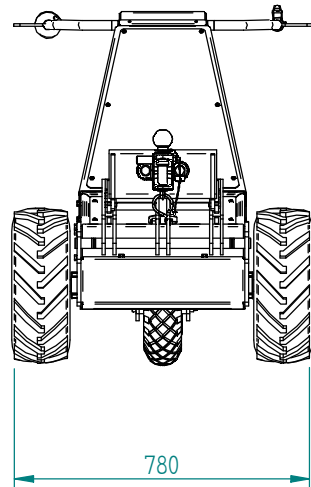
THIS DRAWING IS THE PROPRIETARY PROPERTY OF NU-STAR MATERIAL HANDLING LTD AND MUST NOT BE USED EXCEPT IN CONNECTION WITH OUR WORK NOR IN ANY MANNER DISCLOSED TO ANY THIRD PARTY WITHOUT NU-STAR MATERIAL HANDLING LTD'S WRITTEN CONSENT ALL RIGHTS OF DESIGN AND INVENTION ARE RESERVED.

© Nu-Star Material Handling Ltd 2002-2014

Unless otherwise specified
tolerances are :
.XX +/- .020
.XXX +/- .010
Angles +/- 1 deg

Finish NA	Date 28/03/2014
Material NA	Scale NA

	Sheet 1 of 2	Title MUV Trailer Mover
	Issue number 1	Project MUV350
	Size A4	Drawing No. TMSA-070214-01




THIS DRAWING IS THE PROPRIETARY PROPERTY OF NU-STAR MATERIAL HANDLING LTD AND MUST NOT BE USED EXCEPT IN CONNECTION WITH OUR WORK NOR IN ANY MANNER DISCLOSED TO ANY THIRD PARTY WITHOUT NU-STAR MATERIAL HANDLING LTD'S WRITTEN CONSENT ALL RIGHTS OF DESIGN AND INVENTION ARE RESERVED.

© Nu-Star Material Handling Ltd 2002-2014

Unless otherwise specified
tolerances are :
.XX +/- .020
.XXX +/- .010
Angles +/- 1 deg

Finish NA	Date 28/03/2014
Material NA	Scale NA

	Sheet 2 of 2	Title MUV Trailer Mover
	Issue number 1	Project MUV350
	Size A4	Drawing No. TMSA-070214-01