

# Senses 7215



## Features

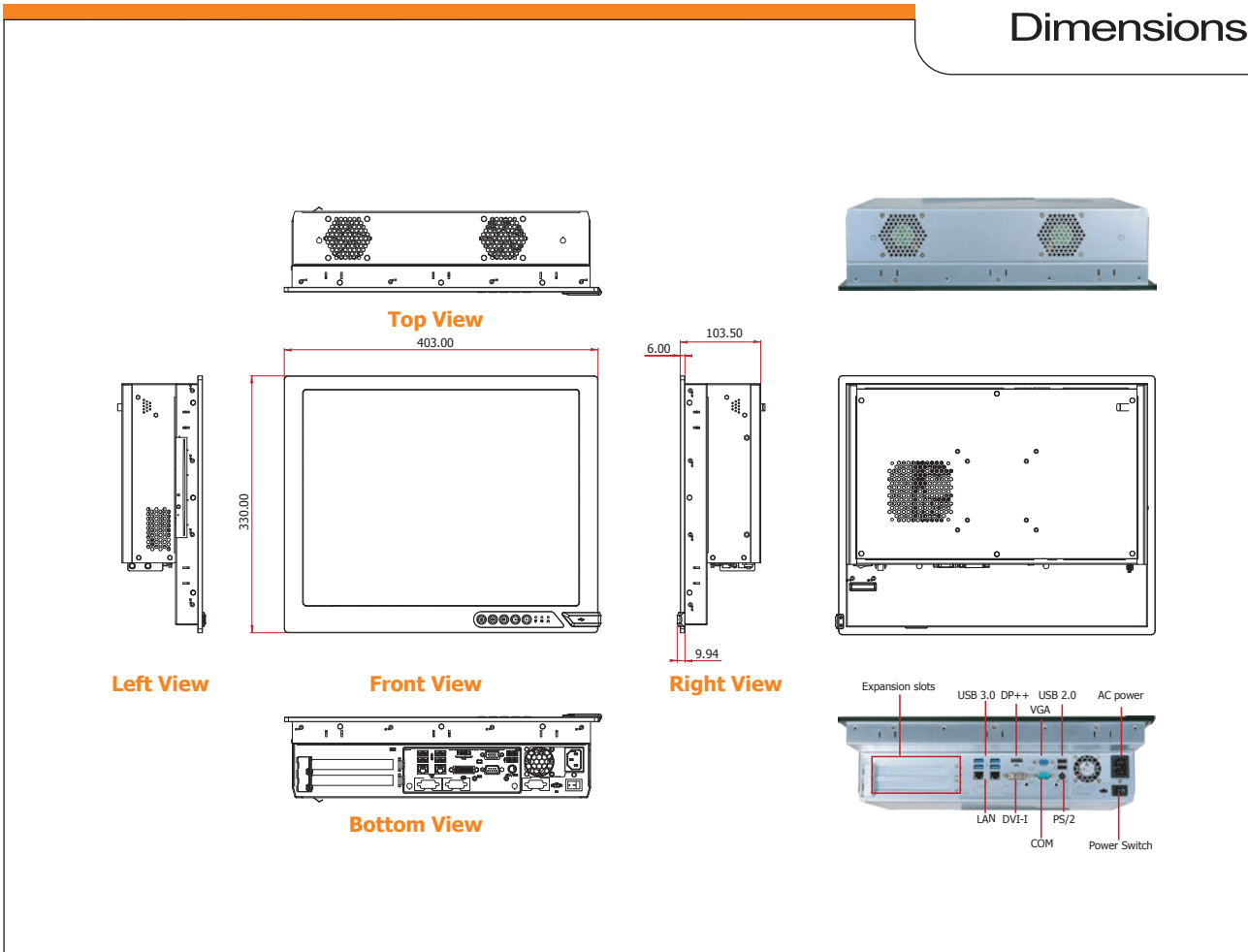
The Senses 7215 is an expandable industrial panel PC using the Intel® Q170 chipset and provides a 15" TFT LCD resistive touchscreen and an IP65 rated front panel.

Features:

- Dual PCIe x8 Expansion
- IP65 Front panel
- Vesa/Panel mountable

Each Industrial Panel PC comes with a 2 year warranty.

## Dimensions



# Senses 7215

## Specifications

The information is believed to be accurate. However Amplicon Liveline Limited accepts no responsibility for any problems caused by errors and omissions. Specifications are subject to change without notice.

Hardware Specifications	Architecture: Industrial 15" Panel PC CPU: Intel® 6th and 7th Generation Core Processor (max. 65W) Chipset: Q170 Memory: Dual DDR4 SODIMM, maximum 32GB Display: 1024x768 TFT LCD Panel Touch Screen: Resistive Touch Screen Watch Dog Timer: 255 levels, 1 ~ 255 sec. Battery: Lithium 3V/220 mAH	Supported Operating Systems	Windows 7 <sup>1</sup> , Windows 10 (Pro/IoT) 64-Bit Linux
BIOS	Insyde	External Interfaces	1 x Combined PS/2 3 x USB 2.0 (1 x on front) 1 x DB9 COM RS232 Port (1 x RS232, 1 x Selectable can be broken out) 1 x VGA 1 x DVI-I (DVI-D Signal) 2 x RJ45 Network 4 x USB 3.0
Display	TFT LCD 1024x768 Brightness: 300 cd/m2 Contrast: 2000:1 Viewing Angle: 307 (H) / 231(V) Max Colour: 16.7M Backlight Life: 50000 hrs Additional Outputs: 1 x VGA 1 x DVI-I (DVI-D signal) 1 x DP++	LEDs and Switches	Front OSD and status LEDs
Storage	2 x 2.5" SATA 2.0 Drive Bay	Mechanical	Construction Sheet Metal IP Rating IP65 front bezel Mounting Panel/VESA (75x75) Mount Dimensions (W x H x D): 403mm x 330mm x 105mm Weight: 7.85kgs
System Expansion	2 x PCIe x8 1 x Full length mSATA (PCIe/USB) <sup>1</sup>	Environment	Operating Temperature 0 to 50°C Storage Temperature -30 to 70°C Relative Humidity 10% to 90% @ 40°C (non-condensing)
		Certification	CE

1 = Wifi/BT support

2 = Only available with Intel® 6th Generation processor SKUs

## Panel Mount

Suggested cut out size  
(The flat panel thickness is less than 10mm)

