



4000 Kg



5380x1450x2030



23,5 m



14,6 m



Radio Remote Control

- Large display
- Proportional radio remote control with two batteries
- Crane and crawl control

Three different JIB

- 600 Kg Hydraulic flying JIB
- 1.000 Kg Lattice flying JIB
- 3.500 Kg Searcher hook



Hook & Pulley

JIB working with hook or pulley mode



Pick & Carry

2 tons 360° rotating pick & carry capacity

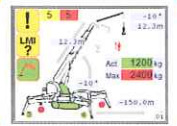


Hydraulic Vacuum and Grabber Manipulator

- 800 Kg radio-controlled vacuum manipulator
- 300 Kg pipe and beam manipulator

Electronic LMI

- Load and moment indicator
- Diagnostic troubleshooting
- Friendly display with all the information
- Full safety respect EN13000

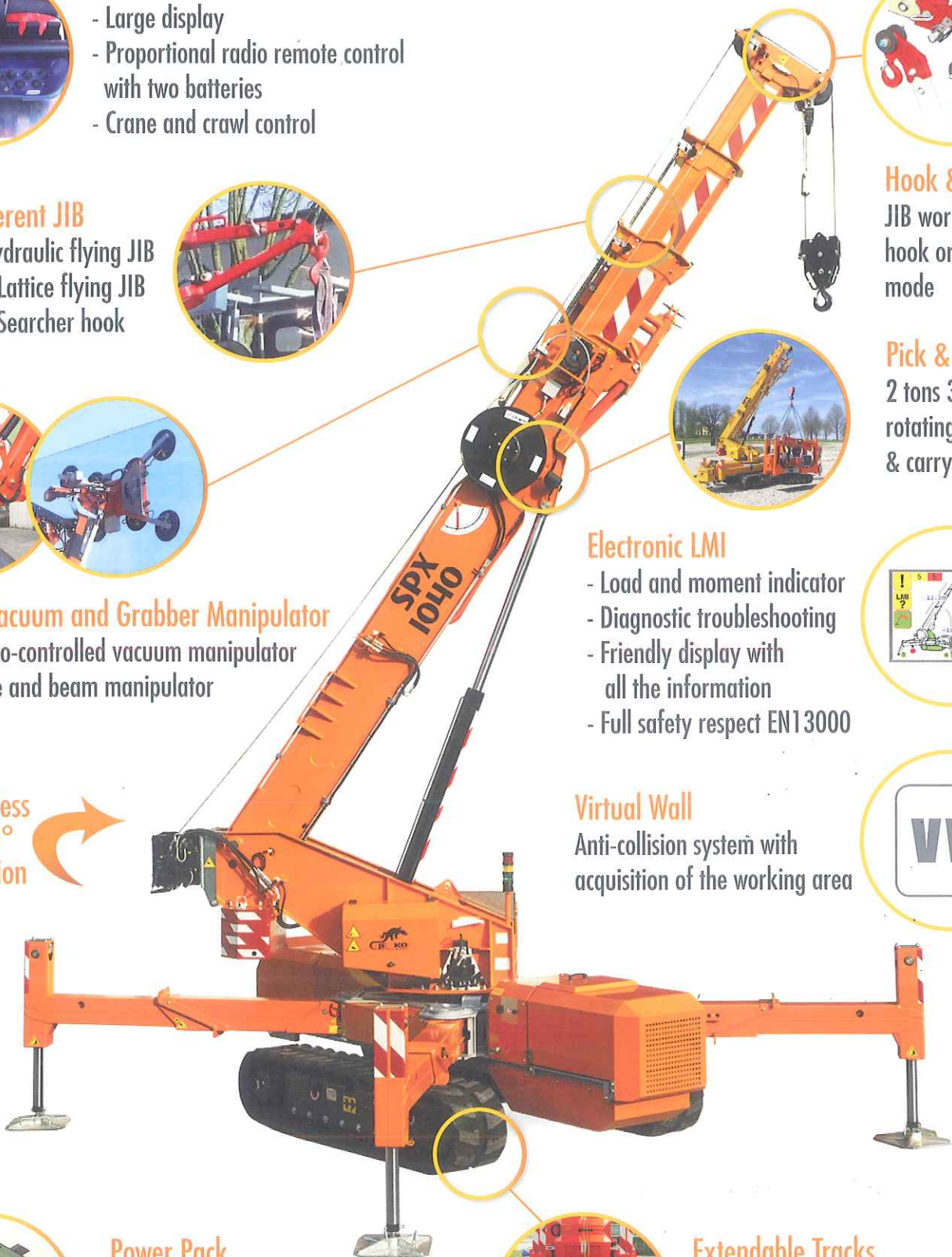


Limitless
360°
rotation



Virtual Wall

Anti-collision system with acquisition of the working area



Power Pack

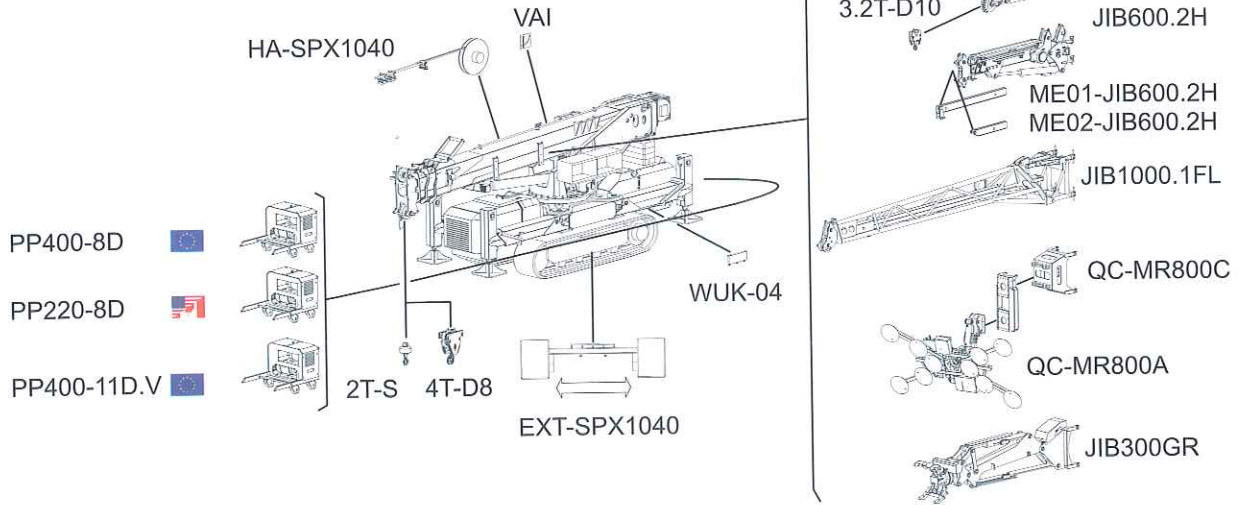
External three-phase power pack



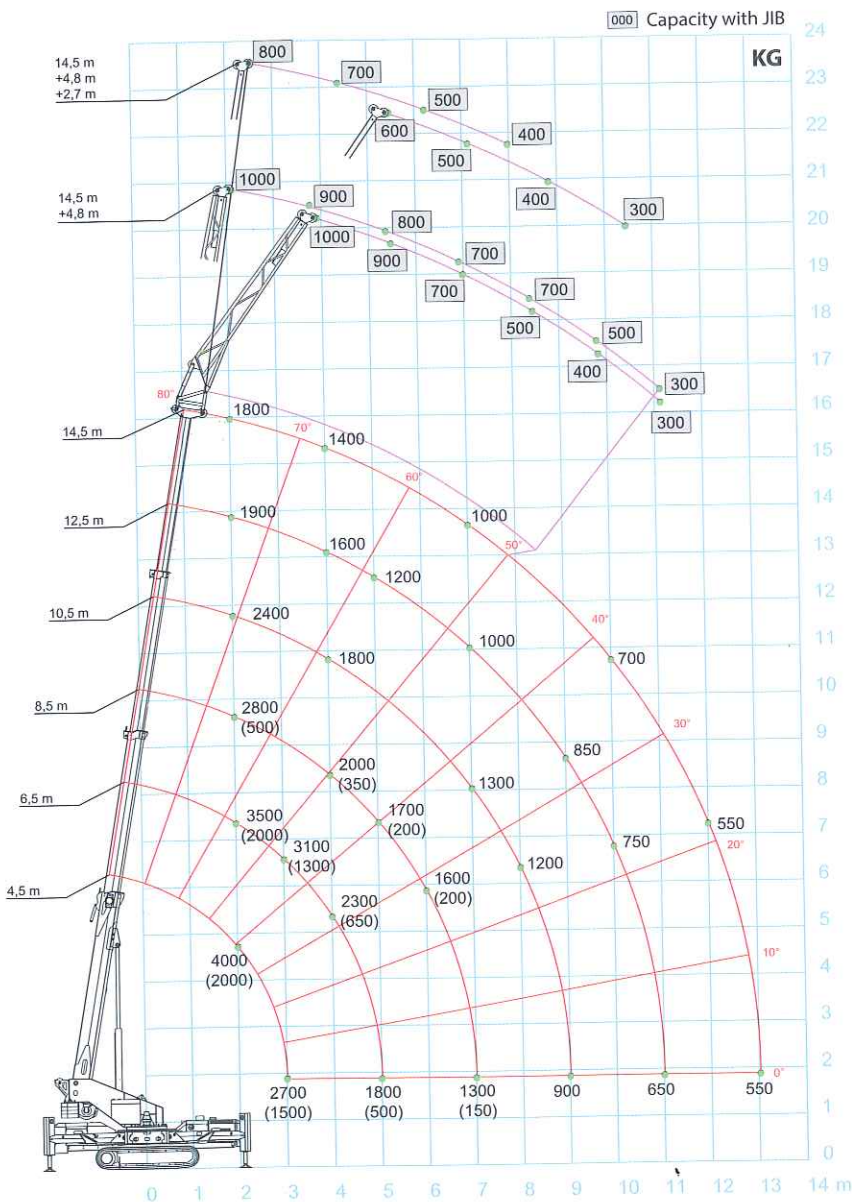
Extendable Tracks

Independent extendable tracks to increase steering and 360° pick & carry

Crane Options



Load Chart



Technical Info



SPX 1040 CDH EXT TRACKS



5380 x 1450 x 2030 mm
5300 x 2050 x 1970 mm



4170 x 4170 mm



kg



SPX1040CDH 5600



SPX1040CDH 6300



/ 760



4T-D8 40



PP400-8D 110



PP220-8D 110



PP400-11DV 110



JIB3500G 60



JIB600.2H* 210



JIB1000.1FL 265



MR800.4 295



ISUZU 3CB1



ISUZU 3CE1



3 kW



3 kW

18,7kW	25,0Hp	
26,9kW	36,0Hp	

*Manual extension available (singer)

