

TPCX Series electronic-walkie-pallet truck in V2A stainless steel, with foldable platform and side support arms

Technical data in line with VDI 2198

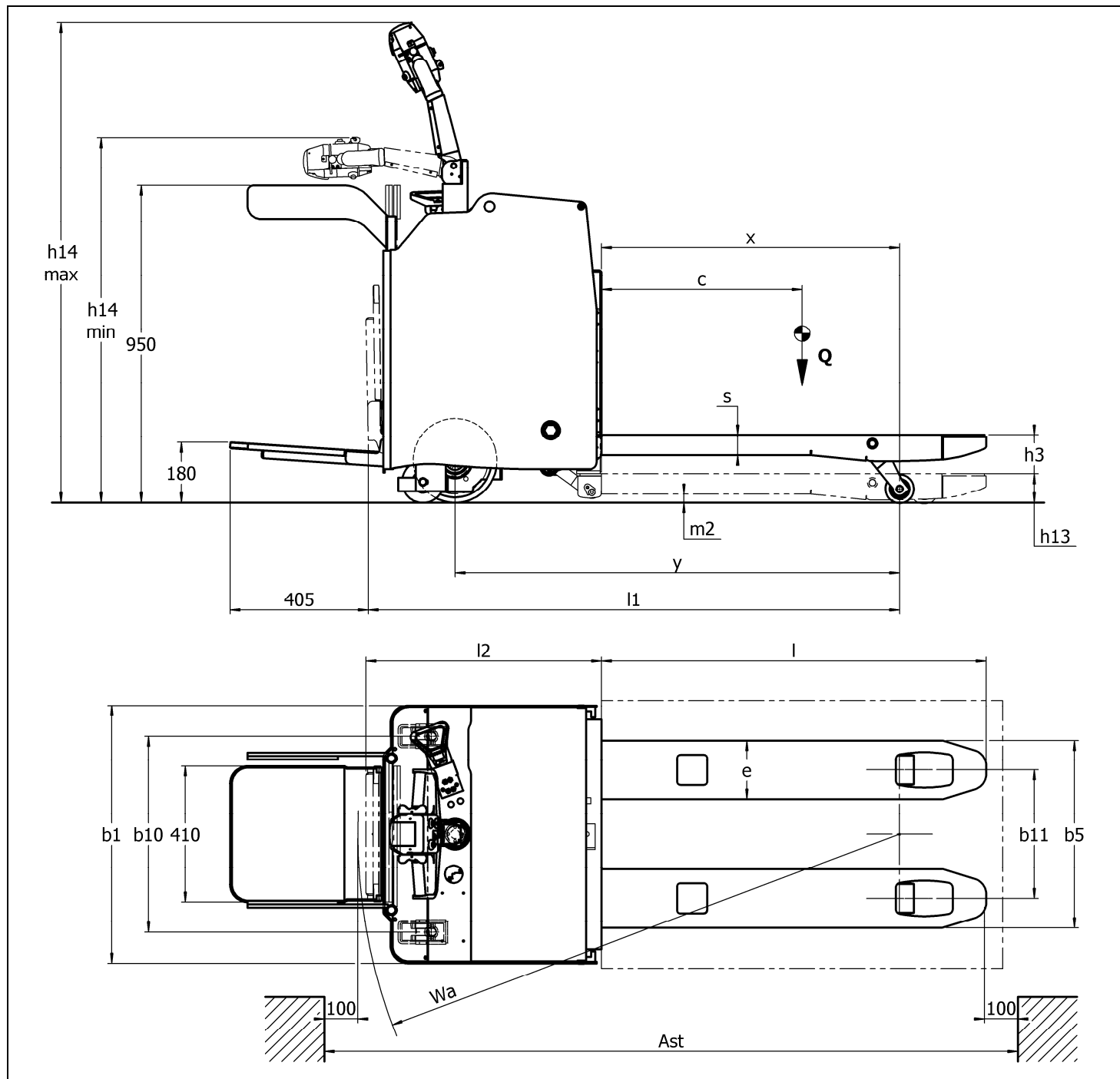
as at: 04/2011

Identification	1.1	Manufacturer (abbreviation)	Icem	
	1.2	Manufacturer's type designation	TPCX 20 AR	
	1.3	Drive	electric	
	1.4	Type of operation	pedestrian/platform	
	1.5	Load capacity/rated load	Q (t)	2.0
	1.6	Load centre distance	c (mm)	600
	1.8	Load distance, centre of drive axle to fork	x (mm)	896
	1.9	Wheelbase	y (mm)	1339
	Weights	2.1	Service weight incl. battery (see line 6.5)	kg
2.2		Axle loading, laden front/rear	kg	1067/1678
2.3		Axle loading, unladen front/rear	kg	625/120
Wheels, Chassis	3.1	Tyres	PU	
	3.2	Tyre size, front	mm	ø 250
	3.3	Tyre size, rear	mm	ø 85
	3.4	Additional wheels (dimensions)	mm	ø 125
	3.5	Wheels, number front/rear (x = driven wheels)		1x +2/ 2 o 4
	3.6	Track width, front	b ₁₀ (mm)	586
	3.7	Track width, rear	b ₁₁ (mm)	379
Basic dimensions	4.4	Lift height	h ₃ (mm)	115
	4.9	Height of tiller in drive position min./max.	h ₁₄ (mm)	1090/1435
	4.15	Lowered height	h ₁₃ (mm)	86
	4.19	Overall length	l ₁ (mm)	1865
	4.20	Length to face of forks	l ₂ (mm)	715
	4.21	Overall width	b ₁ (mm)	770
	4.22	Fork dimensions	s/e/l (mm)	60x181x1150
	4.25	Width over forks	b ₅ (mm)	560
	4.32	Ground clearance, centre of wheelbase	M ₂ (mm)	26
	4.33	Aisle width for pallets 1000x1200 crossways	Ast (mm)	2139
	4.34	Aisle width for pallets 800x1200 crossways	Ast (mm)	2139
4.35	Turning radius	Wa (mm)	1635	
Perform. data	5.1	Travel speed, laden/unladen	km/h	8.5/8.5
	5.2	Lift speed, laden/unladen	m/s	0.05/0.07
	5.3	Lowering speed, laden/unladen	m/s	0.10/0.06
	5.8	Max. gradient performance, laden/unladen	%	12/18
	5.10	Service brake		electronic
Electric eng.	6.1	Drive motor rating S ₂ 60min	kW	2
	6.2	Lift motor rating at S ₃ 10%	kW	2.2
	6.4	Battery voltage, nominal capacity K ₅	V/Ah	24/320
	6.5	Battery weight	kg	280
	8.1	Type of drive control		AC
8.4	Sound level at driver's ear according to EN 12 053	dB (A)	70	

TPCX Series electronic-walkie-pallet truck in V2A stainless steel, with foldable platform and side support arms

Technical data in line with VDI 2198

as at: 04/2011



This specification sheet according to VDI regulation 2198 only provides technical values for the standard truck. Non-standard tyres, different masts, additional equipments, etc., could produce other values. Right reserved for technical changes and improvements.