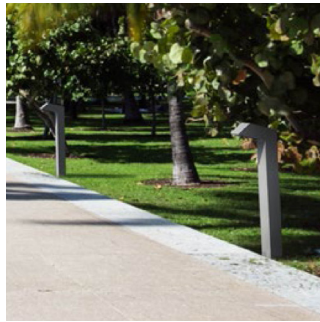




KASSIO Bollard

External lighting



LED Bollard with simple design shape offered in 3 heights suitable for paths, gardens or plaza areas.

Construction: Cast Aluminium Head, IP66, IK10.
Galvanised Steel Shaft. 900mm high as standard. Height 1.2M or 1.5M on request.

Installation: Flanged as standard.
Access Door on rear of Shaft.

LED: 11w (8 LED) to 27w (16 LED).
CRI 70+. 4K as standard. 3K on request.
Cree LED, Life L70 B10 > 100,000 hours.

Optics: Symmetric (C6 optic) as standard.
Asymmetric (A13) on request is designed to light pathways.

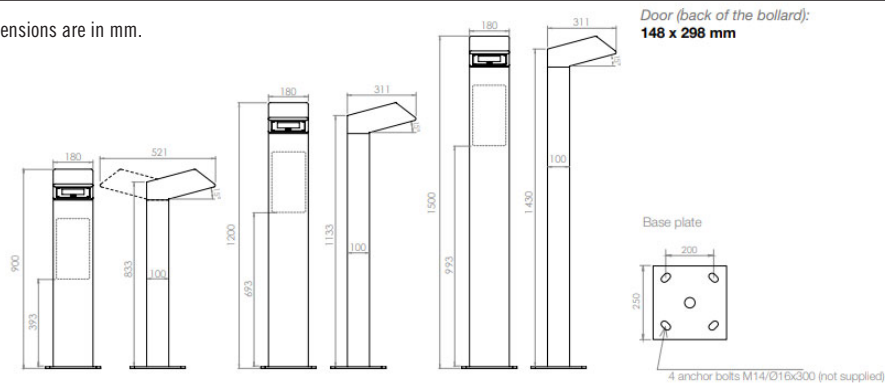
Finish: Black RAL 9005 as standard.
Other RALs on request including Wooden Effect Finish on Shaft.

Options: Twin head, Symmetric/
Asymmetric, Different Heights, Wooden Effect Finish, DALI.

Product Compliance: EN 60598, CE.

DIMENSIONS

All Dimensions are in mm.



Weight: 20 / 25 / 30 Kgs. - One Head version

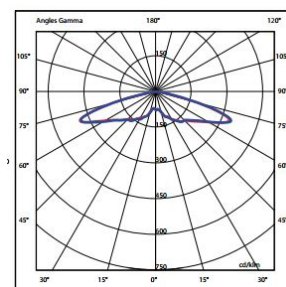
Weight: 23 / 28 / 33 Kgs. - Two Head version

SIZES & FINISH EXAMPLES

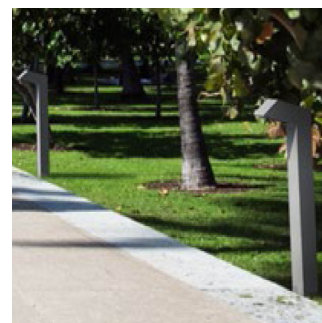
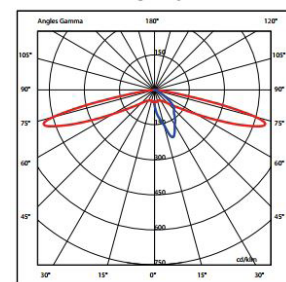


OPTICS

Symmetric - C6



Asymmetric - A13



ORDERING CODE

Wattage*	Type	Code - Single	Code - Twin	Details	Optic	Option	Lumens*
11w	8LED	5KAS00010	5KAS00210	Flanged Bollard 900mm, 350mA Driver, 4K	C6	A13	1150
15w	8LED	5KAS00011	5KAS00211	Flanged Bollard 900mm, 500mA Driver, 4K	C6	A13	1560
20w	8LED	5KAS00012	5KAS00212	Flanged Bollard 900mm, 700mA Driver, 4K	C6	A13	2050
19w	16LED	5KAS00015	5KAS00215	Flanged Bollard 900mm, 350mA Driver, 4K	C6	A13	2300
27w	16LED	5KAS00016	5KAS00216	Flanged Bollard 900mm, 500mA Driver, 4K	C6	A13	3120

*Per Single Head version. (Twin Head version will be double).

OPTIONS

RAL: Pls specify
1.2m: Height 1.2m
1.5m: Height 1.5m
DALI: DALI Dimmable
1-10V: 1-10V Dimmable
CLO: Constant Lumen Output
PRO: Programmed Dimming
STW: Street Optic Wide (A8)
3K: 3000K, Warm White
MRN: Marine Finish

