

## CASSINO 900 LED

CASSINO 900 LED Lichtpoller  
12.71622.0V001 1X LED E27

Illuminating bollard CASSINO 900  
Housing made of aluminium  
Cover of polyacrylic glass (PMMA) with frosted surface  
Elec. equip.: 1xE27 socket for LED lamp (220-240V/50-60Hz)  
Without lamp (Type P 40, max. 7W)  
Ingress protection IP54, protection rating I  
Total height 900 mm  
With flange plate 210 x 210 x 12 mm  
Connection: 3 x 2,5 mm<sup>2</sup> terminal in the base of the bollard  
Colour: DB 703

### Technical values

Wind catching surface	0,135 m <sup>2</sup>
ULOR	67,5%
IK-Code	IK06
Ingress protection	IP54

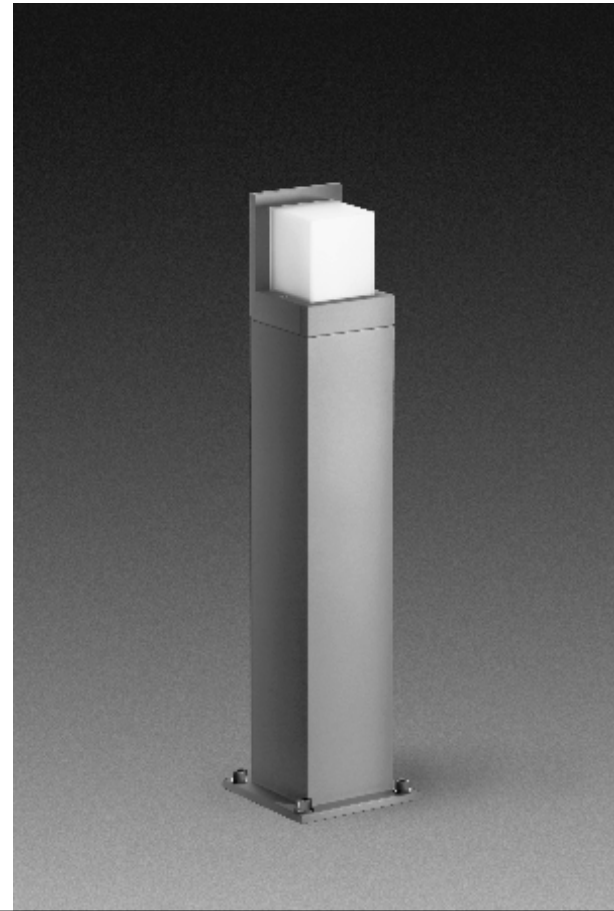
€

### Advantages

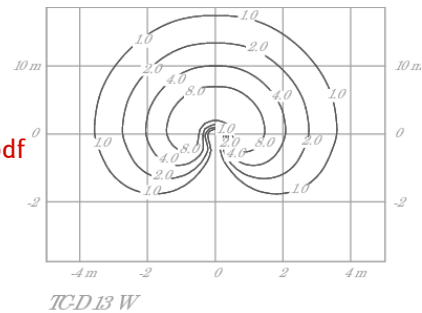
- The CASSINO product family makes integrated lighting solutions possible
- Simple, modern design

### Downloads

Drawings: [Cassino\\_900\\_500\\_LP.png](#)  
Installation instructions: [HessMA\\_FERRARA\\_CASSINO\\_LED.pdf](#)  
Photometric data: [CASSINO\\_illuminating\\_bollard.zip](#)



### Photometric reports



## CASSINO 900 LED

### Drawings

