

A perfect way of fluid handling



Certificate : 4410090447-23



Certificate : 07202907020271/9/00057



Certificate : 44104090447-23



Certificate : 44116091167

Weir-BDK commitment

Weir-BDK's most important asset is its people: it is our excellence in skills and innovation that has driven our growth to date and ensures we are in the best position to capitalise on this for future growth.

Weir's global expertise combined with BDK's cost proficiency creates a highly complementary offering to satisfy our customers' demand for leading-edge products and a very competitive position in one of the world's most important emerging markets.

Weir and BDK have complementary product portfolios and highly experienced people, and our intention is to grow the business to be a leading valve manufacturer serving the requirements of Indian customers as well as supporting the global network.

Weir-BDK accomplishes this by constantly improving and striving to manufacture the most efficient products for chosen markets. We always pursue new technologies to stay at the forefront of the industry in the global arena. Weir-BDK is a company with a commitment to excel as we have the right mixture of infrastructure and capability to deliver the best to our clients.

Quality Statement

Our objective is to design, manufacture and market quality products at competitive prices to the entire satisfaction of the customer and to attain market leadership through continual improvement.



□ Diaphragm valves

Complies to BS EN 13397

Sizes: 15 mm (1/2") to 350 mm (14")

Type: Series S2K Weir type, Series G2K Straight-Through Type

Materials: CI, DI, WCB, CF8, CF8M etc

Linings: Natural and synthetic rubbers

Diaphragms: Natural and synthetic rubbers, even PTFE

Ends: Flanged, screwed, weld



□ Diaphragm valves for hygiene

Complies to BDk's specifications

Sizes: 15 mm (1/2") to 100 mm (4")

Type: Pocketless body

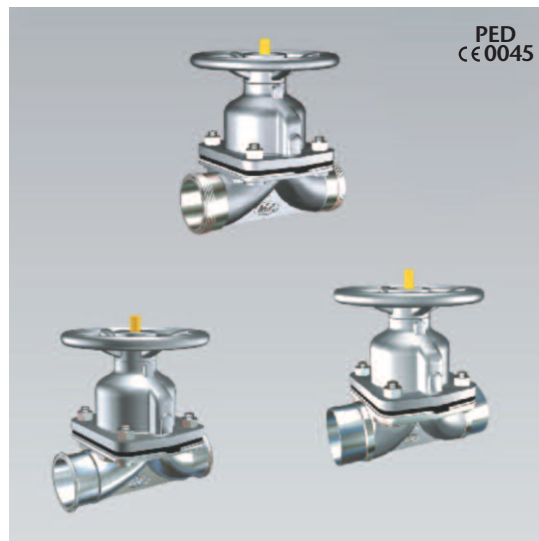
Materials: CF8, CF8M, CF3, CF3M

Diaphragm/Seal: Food grade synthetic elastomers, even PTFE

Ends: IDF, SMS, BSM, tri clamp, butt weld

Specials: Both internal and external surfaces, satin or mirror finished to suit process needs

Application: Pharmaceutical & food industries



□ Pneumatic actuators for diaphragm valves

Complies to BDk's specifications

Valve Sizes: 15 mm (1/2") to 250 mm (10")

Type: Direct, reverse, double acting

Chambers material: Steel ASTM A621

Air diaphragms: Nitrile, Neoprene

Specials: Limit switch, solenoid valve, air filter regulator, positioner etc.





Ball valves – one piece

Complies to BS EN ISO 17292 (BS 5351)

Sizes: 6 mm (1/4") to 50 mm (2") (screwed),
15 mm (1/2") to 250 mm (10") (flanged)

Type: Regular bore, full bore

Rating: Class 150, 300, 800

Materials: EN8, WCB, CF8, CF8M, CN7M etc

Seats: PTFE, reinforced PTFE

Ends: Flanged, screwed

Specials: Jacketed



Ball valves – two piece

Complies to BS EN ISO 17292 (BS 5351)

Sizes: 15 mm (1/2") to 300 mm (12")

Type: Regular bore, full bore, multi-port

Rating: Class 150 to 1500

Materials: WCB, LCB, CF8, CF8M, CF3, CF3M,
CD4MCu, CN7M, H-B, H-C etc

Seats: PTFE, reinforced PTFE, even metallic

Ends: Flanged, weld



Ball valves – three piece

Complies to BS EN ISO 17292 (BS 5351)

Sizes: 6 mm (1/4") to 50 mm (2")

Type: Regular bore, full bore, multi-port

Rating: Class 600, 800, 1500

Materials: A105, F304, F316 WCB, CF8, CF8M,
CN7M, etc

Seats: PTFE, reinforced PTFE, even metallic

Ends: Screwed, weld

Ball valves – trunnion mounted

Complies to BS EN ISO 17292 (BS 5351)

Sizes: 50 mm (2") to 900 mm (36")

Type: Regular bore, full bore

Rating: Class 150 to 1500

Materials: WCB, LCB, CF8, CF8M, CF3, CF3M, CD4MCu, CN7M, H-B, H-C etc

Seats: PTFE, reinforced PTFE, nylon, even metallic

Ends: Flanged, weld



Ball valves – trunnion mounted for buried application

Complies to BS EN ISO 17292 (BS 5351)

Sizes: 50 mm (2") to 900 mm (36")

Type: Regular bore, full bore

Rating: Class 150 to 1500

Materials: WCB, LCB, CF8, CF8M, CF3, CF3M, CD4MCu, CN7M, H-B, H-C etc

Seats: PTFE, reinforced PTFE, nylon, even metallic

Ends: Flanged, weld



Ball valves – trunnion mounted, three piece forged

Complies to BS EN ISO 17292 (BS 5351)

Sizes: 50 mm (2") to 1200 mm (48")

Type: Regular bore, full bore

Rating: Class 600 to 1500

Materials: A105, LF2, F304, F316

Seats: PTFE, reinforced PTFE, nylon, even metallic

Ends: Flanged, weld





Ball valves – cryogenic application

Complies to BS EN ISO 17292 (BS 5351), BS 6364

Sizes: 15 mm (1/2") to 300 mm (12")

Type: Regular bore, full bore, multi-port

Rating: Class 150, 300

Materials: WCB, LCB, CF8, CF8M, CF3, CF3M, CD4MCu, CN7M, H-B, H-C etc

Seats: PTFE, reinforced PTFE, even metallic

Ends: Flanged, weld



Butterfly valves

Complies to BS EN 593, AWWA C504

Sizes: 32 mm (1 1/4") to 2400 mm (96")

Type: Models 12, 12L, 44, 44L, 81 & 85F

Body materials: CI, DI, WCB, CF8, CF8M etc

Discs: CI, DI, WCB, CF8, CF8M, even rubber lined

Seats: Natural and synthetic rubbers

Ends: Wafer, lugged, double flanged



Butterfly valves – double eccentric, high performance

Sizes: 50 mm (2") to 600 mm (24")

Type: Models 91 & 91L

Rating: Class 150, 300

Materials: WCB, CF8, CF8M, CF3, CF3M, CD4MCu, CN7M etc

Seats: PTFE, reinforced PTFE, even metallic

Ends: Wafer and lugged

Butterfly valves – tricentric, high performance

Sizes: 80 mm (3") to 600 mm (24")

Type: Models 97 & 97L

Rating: Class 150, 300

Materials: WCB, CF8M, etc

Seat: S31803 + Grafoil

Ends: Wafer and lugged



Butterfly valves – rubber lined bodies

Complies to BS EN 593

Sizes: 50 mm (2") to 1200 mm (48")

Type: Models 46, 46L, 48 & 48L

Rating: PN 6, PN 10, PN 16

Body materials: CI, DI, WCB etc

Body lining: Natural and synthetic rubbers

Discs: DI, CF8, CF8M, Al.Bronze. even rubber lined

Stem: 410, 17-4PH, Monel

Ends: Wafer, lugged



Forged steel valves

Complies to BS EN ISO 15761(BS 5352)

Sizes: 8 mm ($\frac{3}{8}$ ") to 50 mm (2")

Type: Gate, globe, lift check

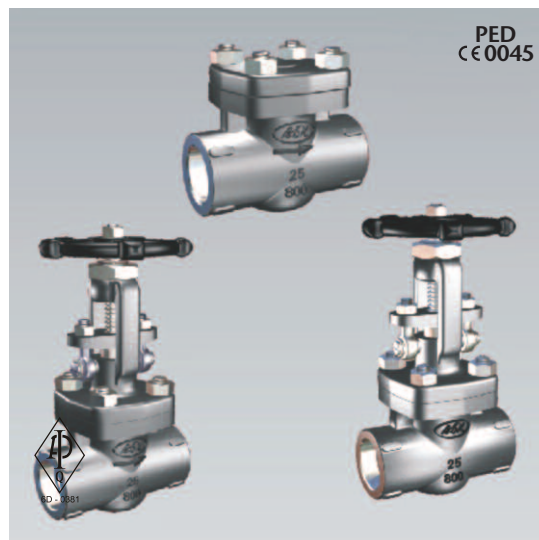
Rating: Class 800, 1500, 2500

Materials: A105, F5, F11, F22, LF2, F304, F316, F304L, F316L

Trim: 13% Cr. Steel, Stellite

Ends: Screwed, socket, butt weld

Specials: Stem extension, soft seating





□ Cast steel valves

Complies to BS 1873, BS 1868, ASME B16.34

Sizes: 15 mm (1/2") to 1200 mm (48")

Type: Gate, globe, swing check

Rating: Class 150 to 2500

Materials: WCB, LCB, WC1, WC6, WC9, CF8, CF8M, CF3, CF3M, CD4MCu, CN7M, H-B, H-C etc

Trim: 13% Cr. Steel, Stellite

Ends: Flanged, weld

Specials: Stem extension, soft seating, jacketed



□ Cast & forged steel valves – cryogenic application

Complies to BS 1873, BS EN ISO 15761 (BS 5352), BS 6364, ASME B16.34

Sizes: 15 mm (1/2") to 300 mm (12")

Type: Gate, globe

Rating: Class 150, 300, 600, 800

Materials: LCB, CF8, CF8M

Trim: Stellite

Ends: Flanged, weld

Specials: Extended bonnet, live loaded gland packing



□ Plug valves – PTFE sleeved

Complies to BS 5353

Sizes: 15 mm (1/2") to 400 mm (16")

Type: PTFE sleeved

Rating: Class 150, 300

Materials: DI, WCB, CF8, CF8M, CF3, CF3M, CD4MCu, CN7M, H-B, H-C etc

Ends: Flanged, screwed, weld

Specials: Multi-Port, jacketed, caged.

Plug valves – lubricated

Complies to BS 5158

Sizes: 15 mm (1/2") to 200 mm (8")

Type: Plug

Rating: Class 125

Materials: Cast iron

Ends: Flanged & screwed

Specials: Multi-Port



Globe valves – for chlorine service

Complies to BS EN ISO 15761 (BS 5352), BS 1873

Sizes: 15 mm (1/2") to 300 mm (12")

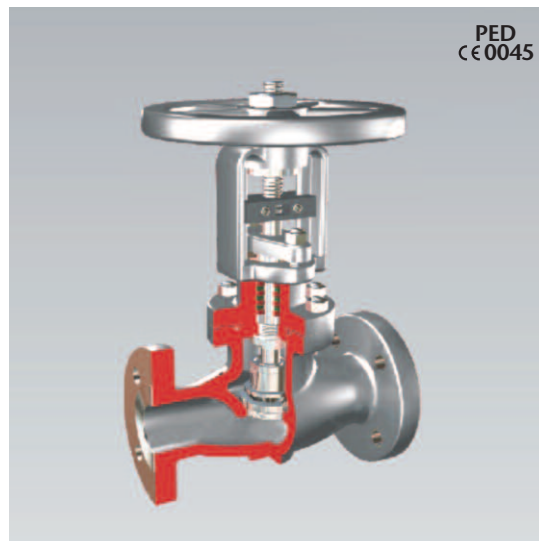
Type: Globe (Bellow optional)

Rating: Class 300

Materials: WCB, LCB

Trim: Monel, Hast-C

Ends: Flanged



Knife edge – gate valves

Complies to MSS SP-81

Sizes: 50 mm (2") to 750 mm (30")

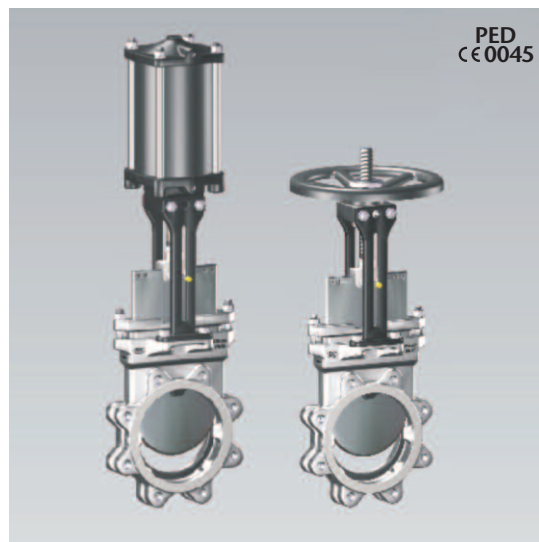
Type: Knife edge gate

Materials: WCB, CF8, CF8M, CF3, CF3M, CN7M, CD4MCuN etc

Ends: Wafer and lugged

Specials: Pneumatic actuator, limit switch, solenoid valve, air filter regulator etc

Application: Pulp, fibrous, paper pulp, slurries & sludge





PFA lined valves

Complies to BS EN 13397, BS EN 593, BS 5353, BS 5158, BS EN ISO 17292 (BS 5351), BS 5159

Sizes: 15 mm (1/2") to 600 mm (24")

Type: Diaphragm, butterfly, plug, ball and ball check

Rating: PN 6, PN 10 & Class 150

Materials: DI or WCB with lining

Linings: PFA / FEP / ETFE / PVDF

Ends: Wafer & lugged for Butterfly Valves, others flanged



PTFE lined – pipe fittings

Complies to ASME B16.5

Sizes: 15 mm (1/2") to 300 mm (12")

Type: Equal tee, 45° elbow, concentric reducer, reducing flange etc

Rating: Class 150

Materials: DI or CS with lining

Linings: PFA / FEP / PTFE



Cast iron valves – gate, globe & sluice

Complies to BS 5150, BS 5163, BS 5152, IS 14846

Sizes: 25 mm (1") to 300 mm (12")

Type: Inside screw for sluice, outside screw for gate & globe

Rating: PN 10, PN 16

Materials: Cast iron

Trim: Bronze, CA15, CF8, CF8M, brass etc

Ends: Flanged

Check valves

Complies to BDK's specifications

Sizes: 15 mm (1/2") to 1600 mm (64")

Type: Non-slam, dual plate, wafer & rubber lined

Rating: PN 7, PN 10, Class 150 & 300

Materials: CI, DI, WCB, CF8, CF8M

Linings: Natural and synthetic rubbers

Ends: Wafer & flanged

Specials: Very low pressure drop



Pneumatic actuators – quarter turn

Output torque: Quarter turn up to 12060Nm (8900 ft. lbs) for double acting & 2815Nm (2077 ft. lbs) for single acting spring return

Type: Rack & pinion

Materials: Aluminum alloy with hard anodized

Mounting: ISO 5211

Specials: End stroke adjustment, position indicator, NAMUR mounting features for solenoid valve & limit switch

Optional: Different colors end cap



Gear operators

Output torque: Quarter turn up to 41000Nm (30258 lbs. ft.), Multi turn up to 9000Nm (6642 lbs. ft.)

Type: Quarter turn, multi turn & quarter turn manual override

Materials: CI housing, SGI gears, EN19 worm & shaft

Mounting flange: ISO 5211, ISO 5210

Specials: Worm & worm shaft as per AWWA C-504





Sales Network

- Bangalore** No. 139, Shalimar Galaxy, Flat No. S2, 1st Main Road, Sheshadripuram, Bangalore - 560 020, India.
Tel: 91-80-23465823 / 23340216 Fax: 91-80-23465822 Email: bdkbangalore@bdkindia.com
- Baroda** Office No. 6, 1st Floor, Devdeep Commercial Centre, Nizampura, Baroda - 390 002, India.
Tel: 91-265-2791192 / 2782872 Fax: 91-265-2781488 Email: bdkbaroda@bdkindia.com
- Bhubaneswar** Bishnupriya Complex, Plot No. 41, Sub-Plot No. 5, Infocity Road, Chandrasekharapur, Bhubaneswar - 751 024, India.
Tel. / Fax: 91-674-2742315 Email: bdkbhubaneswar@bdkindia.com
- Chennai** Block-D, "Kaashyap Enclave" 13A, Velachery Main Road, Chennai - 600 042, India.
Tel: 91-44-22430995 / 939 Fax: 91-44-22433402 Email: bdkchennai@bdkindia.com
- Hyderabad** Office No. 8B, III Floor, Meridian Plaza, Besides Lal Bungalow, Ameerpet, Hyderabad - 500 016, India.
Tel: 91-40-23401643 / 23409768 Fax: 91-40-23401644 Email: bdkhyderabad@bdkindia.com
- Indore** 212, II Floor, Anmol Sagar Darsan, 9/1, New Palasia, Scheme No. 2-C, Indore - 452 001, India.
Tel. / Fax: 91-731-2536900 Email: bdkindore@bdkindia.com
- Kolkata** Shradhanjali, II Floor, P-404/2, Hemanta Mukhopadhyay Sarani, P-28, Gariahat Road, Kolkata - 700 029, India.
Tel: 91-33-24668844 Fax: 91-33-24668773 Email: bdkkolkata@bdkindia.com
- Lucknow** Sri Pratap Plaza, Upper Ground Floor, Bara Birwa, Sector-B, L.D.A. Colony, Kanpur Road, Lucknow - 226 012, India.
Tel: 91-522-2423359 Fax: 91-522-2422208 Email: bdklucknow@bdkindia.com
- Mumbai** Shiv Sagar Estate 'A' Block, Dr. Annie Besant Road, Worli, Mumbai - 400 018, India.
Tel: 91-22-2492-7671 Fax: 91-22-2495 0580 Email: bdkmumbai@bdkindia.com
- New Delhi** SF (015-017), III Floor, K-89, Ansal Fortune Arcade, Sector-18, Noida - 201 301, India.
Tel: 91-120-2517052 / 053 Fax: 91-120-2517051 Email: bdkdelhi@bdkindia.com
- Pune** Kohinoor Estates, SC1-20/21, III Floor, Mula Road, Pune - 411 003, India.
Tel: 91-20-25819961 / 9962 Fax: 91-20-25814274 Email: bdkpune@bdkindia.com
- Vizag** No. D-5, III Floor, Pavan Towers, 1 Lane, Dwarakanagar, Visakhapatnam - 530 016, India.
Tel. / Fax: 91-891-2769622 Email: bdkvizag@bdkindia.com
- Sharjah UAE** BDK International (FZC), PO BOX 120972, Sharjah Air Port Intl Free Zone (SAIF-Zone), Sharjah.
Tel: 00971-6-557-5655 Fax: 00971-6-557-5657 Email: javeed@bdkindia.com