

WOB-L™



668/688 SERIES

MODELS

Standard models

668CE44

668CGHI44

688CE44

688CGHI44

Other models based on availability and minimum purchase.

668CE22

668CE32

668CE40

668CGHI22

668CGHI32

668CGHI40

668CS44

688CE22

688CE32

688CE40

688CGHI22

688CGHI32

688CGHI40

688CS44



688



668

TRIGON®

FEATURES

- Oil-less, non-lube piston and cylinder
- Permanently lubricated bearings
- Stainless steel valves
- Lightweight diecast aluminum components
- Long-life, high performance piston seal
- Thin wall, hard coated aluminum cylinder for maximum heat transfer
- Low noise design
- High efficiency, permanent split capacitor motor
- 115 Volt, UL recognized motor and thermal protector
- Balanced for smooth, low vibration operation
- Intake filter
- Six foot cord and plug assembly (688)
- Field service capability
- All wetted aluminum parts treated for corrosion protection from moisture
- Open drip proof motor shell
- CE approval on all standard 220-240/50 Hz models
(Consult factory for non-standard and TUV approved models)

Consult factory for custom applications

ISO 9001
CERTIFIED

THOMAS
A Gardner Denver Product

668/688 Series Performance Data

		668CE22 688CE22		668CE32 688CE32		668CE40 688CE40		Standard 668CE44 688CE44	
MODEL NUMBERS		668CE22 688CE22		668CE32 688CE32		668CE40 688CE40		Standard 668CE44 688CE44	
HEAD CONFIGURATION		Pressure/Vacuum		Pressure/Vacuum		Pressure/Vacuum		Pressure/Vacuum	
STROKE		.220 Inches		.320 Inches		.400 Inches		.440 Inches	
PRESSURE		Flow @ 115v		Flow @ 115v		Flow @ 115v		Flow @ 115v	
CFM @ PSI	LPM @ bar								
PSI	bar	CFM	LPM	CFM	LPM	CFM	LPM	CFM	LPM
0	0	0.84	23.8	1.22	34.5	1.52	43.0	1.60	45.3
10	.5	0.74	21.7	1.08	31.7	1.45	41.6	1.48	42.8
20	1.0	0.66	19.9	1.00	29.6	1.35	39.8	1.37	40.5
30	1.5	0.56	18.2	0.90	27.8	1.25	37.7	1.29	38.4
40	2.0	0.48	16.1	0.80	25.8	1.15	35.7	1.21	36.8
50	3.0	0.40	12.8	0.70	21.7	1.01	31.2	1.13	33.5
60	5.0	0.33	7.2	0.60	15.1	0.92	22.9	1.05	27.3
70	7.0	0.27	3.2	0.55	9.9	0.83	15.5	0.98	21.1
80		0.21		0.48		0.74		0.91	
90		0.16		0.42		0.65		0.84	
100		0.12		0.36		0.56		0.76	
MAX. CONTINUOUS PRESSURE		100 PSI	6.9 bar	100 PSI	6.9 bar	100 PSI	6.9 bar	100 PSI	6.9 bar
MAX. INTERMITTENT PRESSURE		100 PSI	6.9 bar	100 PSI	6.9 bar	100 PSI	6.9 bar	100 PSI	6.9 bar
VACUUM		Flow @ 115 v		Flow @ 115 v		Flow @ 115 v		Flow @ 115 v	
CFM @ IN. hg	LPM @ mbar (gauge)								
IN. hg	mbar (gauge)	CFM	LPM	CFM	LPM	CFM	LPM	CFM	LPM
0	0	0.84	23.8	1.22	34.5	1.52	43.0	1.60	45.3
5	-100	0.62	20.1	0.87	28.7	1.04	35.0	1.15	37.8
10	-200	0.47	16.8	0.65	23.5	0.82	28.3	0.90	31.3
15	-400	0.30	11.6	0.45	16.4	0.57	20.7	0.62	22.6
20	-600	0.14	6.0	0.24	9.5	0.30	12.0	0.33	13.1
MAX. VACUUM		26.0" hg	-880 mbar	26.9" hg	-911 mbar	27.3" hg	-924 mbar	27.6" hg	-935 mbar
MAX. AMBIENT AIR TEMP.		104° F	40°C	104° F	40°C	104° F	40°C	104° F	40°C
MIN. AMBIENT START TEMP.		50° F	10°C	50° F	10°C	50° F	10°C	50° F	10°C
MAX. RESTART PRESSURE		0 PSI	0 bar	0 PSI	0 bar	0 PSI	0 bar	0 PSI	0 bar
MAX. RESTART VACUUM		0"hg	0 mbar	0"hg	0 mbar	0"hg	0 mbar	0"hg	0 mbar
MOTOR VOLTAGE/FREQUENCY		115/60/1		115/60/1		115/60/1		115/60/1	
MOTOR TYPE		Permanent Split Cap.		Permanent Split Cap.		Permanent Split Cap.		Permanent Split Cap.	
CURRENT AT RATED LOAD (AMPS)		3.1		3.2		4.5		3.6	
POWER AT RATED LOAD (WATTS)		240		245		285		325	
STARTING CURRENT (LOCKED ROTOR, AMPS)		9.2		9.2		9.2		9.2	
CAPACITOR VALUE		8 mfd		8 mfd		8 mfd		8 mfd	
MIN. FULL LOAD SPEED (RPM)		1750		1720		1660		1650	
THERMAL PROTECTOR		Yes		Yes		Yes		Yes	
NET WEIGHT		11.75 lbs.	5.3 kg	11.75 lbs.	5.3 kg	11.75 lbs.	5.3 kg	11.75 lbs.	5.3 kg

The information presented in this material is based on technical data and test results of nominal units. It is believed to be accurate and reliable and is offered as an aid to help in the selection of Thomas products. It is the responsibility of the user to determine the suitability of the product for his intended use and the user assumes all risk and liability whatsoever in connection therewith. Thomas Industries does not warrant, guarantee or assume any obligation or liability in connection with this information.

NOTE: Models pictured are representative of the series and do not represent a specific model number. Consult factory for detailed physical description.

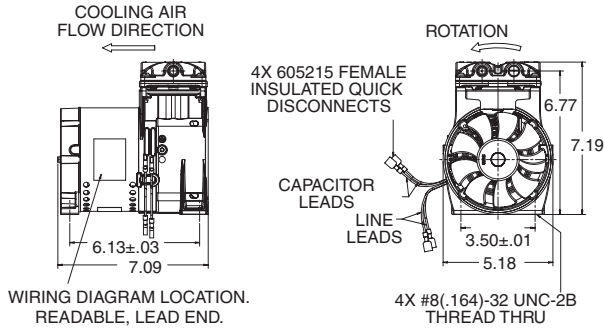
NOTE: 688 models include fan guard and cord standard. 668 models do not have fan guard or cord standard, these are options.

668/688 Series Performance Data

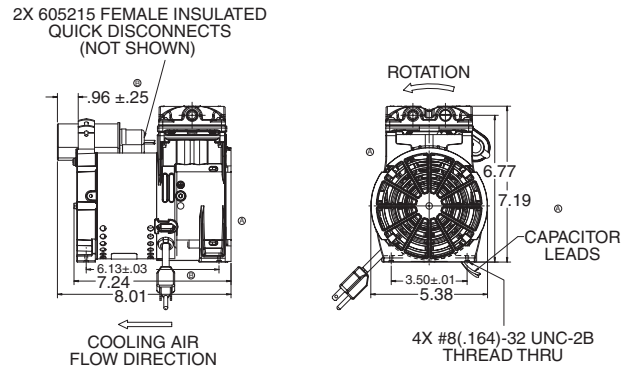
												Standard	
MODEL NUMBERS		668CGHI22 688CGHI22		668CGHI32 688CGHI32		668CGHI40 688CGHI40		668CGHI44 688CGHI44		668CS44 688CS44			
HEAD CONFIGURATION		Pressure/Vacuum		Pressure/Vacuum		Pressure/Vacuum		Pressure/Vacuum		Pressure/Vacuum			
STROKE		.220 Inches		.320 Inches		.400 Inches		.440 Inches		.440 Inches			
PRESSURE		Flow @ 220v/50-230v/60		Flow @ 220v/50-230v/60		Flow @ 220v/50-230v/60		Flow @ 220v/50-230v/60		Flow @ 100v/50-60 Hz			
CFM @ PSI	LPM @ bar												
PSI	bar	CFM	LPM	CFM	LPM	CFM	LPM	CFM	LPM	CFM	LPM		
0	0	.68 / .80	19.3 / 22.7	1.00 / 1.23	28.3 / 34.8	1.19 / 1.40	33.7 / 39.6	1.27 / 1.50	35.9 / 42.4	1.30 / 1.55	36.8 / 43.9		
10	.5	.62 / .74	18.0 / 21.4	.92 / 1.13	26.7 / 32.8	1.13 / 1.33	32.5 / 38.2	1.22 / 1.43	34.9 / 41.0	1.25 / 1.50	35.7 / 42.8		
20	1.0	.54 / .62	16.5 / 19.4	.84 / .97	25.0 / 30.0	1.07 / 1.24	31.2 / 36.5	1.14 / 1.33	33.5 / 39.2	1.16 / 1.41	34.1 / 41.2		
30	1.5	.45 / .56	14.8 / 17.3	.75 / .90	23.3 / 27.1	.98 / 1.15	29.9 / 34.7	1.09 / 1.22	32.0 / 37.1	1.08 / 1.28	32.4 / 39.2		
40	2.0	.39 / .48	13.0 / 16.0	.67 / .83	21.5 / 25.7	.89 / 1.06	28.0 / 32.8	.94 / 1.17	31.0 / 34.8	.99 / 1.18	30.8 / 36.6		
50	3.0	.34 / .41	10.5 / 12.9	.60 / .72	18.3 / 22.4	.83 / .96	24.6 / 29.0	.86 / 1.04	25.8 / 31.8	.88 / 1.10	27.0 / 32.6		
60	5.0	.27 / .34	6.4 / 7.5	.54 / .66	13.2 / 16.3	.72 / .89	18.0 / 22.2	.82 / 1.00	21.3 / 26.5	.79 / 1.03	20.2 / 25.9		
70	7.0	.24 / .28	2.4 / 2.9	.48 / .59	8.8 / 11.6	.65 / .80	13.3 / 16.4	.77 / .96	16.1 / 20.6	.73 / .94	14.7 / 19.2		
80		.19 / .22		.42 / .54		.59 / .74		.70 / .87		.66 / .84			
90		.12 / .17		.37 / .49		.54 / .65		.64 / .80		.59 / .76			
100		.09 / .11		.32 / .42		.48 / .59		.58 / .74		.53 / .69			
MAX. CONTINUOUS PRESSURE		100 PSI	6.9 bar	100 PSI	6.9 bar	100 PSI	6.9 bar	100 PSI	6.9 bar	100 PSI	6.9 bar		
MAX. INTERMITTENT PRESSURE		100 PSI	6.9 bar	100 PSI	6.9 bar	100 PSI	6.9 bar	100 PSI	6.9 bar	100 PSI	6.9 bar		
VACUUM		Flow @ 220v/50-230v/60		Flow @ 220v/50-230v/60		Flow @ 220v/50-230v/60		Flow @ 220v/50-230v/60		Flow @ 100v-50/60 Hz			
CFM @ IN. hg	LPM @ mbar (gauge)												
IN. hg	mbar (gauge)	CFM	LPM	CFM	LPM	CFM	LPM	CFM	LPM	CFM	LPM		
0	0	.68 / .80	19.3 / 22.7	1.00 / 1.23	28.3 / 34.8	1.19 / 1.40	33.7 / 39.6	1.27 / 1.50	36.0 / 42.5	1.30 / 1.55	36.8 / 43.9		
5	-100	.62 / .74	18.3 / 21.6	.81 / .96	25.1 / 30.3	1.00 / 1.17	30.5 / 35.8	1.22 / 1.43	35.1 / 41.3	1.12 / 1.33	33.8 / 40.2		
10	-200	.38 / .50	16.3 / 19.7	.61 / .73	21.9 / 26.0	.76 / .91	27.1 / 31.8	.81 / .97	32.4 / 38.1	.85 / 1.04	30.3 / 36.2		
15	-400	.26 / .33	9.5 / 12.4	.42 / .48	15.3 / 18.1	.51 / .61	19.0 / 22.7	.55 / .67	20.3 / 24.4	.61 / .73	21.6 / 26.3		
20	-600	.13 / .16	5.4 / 6.7	.23 / .27	9.0 / 10.4	.30 / .33	11.2 / 13.0	.32 / .38	12.0 / 14.5	.35 / .39	13.3 / 15.4		
25	-800	.02 / .03	1.4 / 1.9	.07 / .07	3.2 / 3.5	.10 / .11	4.4 / 4.8	.09 / .11	4.3 / 5.2		4.6 / 4.1		
MAX. VACUUM		26.0" hg	-880 mbar	27.0" hg	-914 mbar	27.5" hg	-931 mbar	27.5" hg	-931 mbar	27.5" hg	-931 mbar		
MAX. AMBIENT AIR TEMP.		104° F	40°C	104° F	40°C	104° F	40°C	104° F	40°C	104° F	40°C		
MIN. AMBIENT START TEMP.		50° F	10°C	50° F	10°C	50° F	10°C	50° F	10°C	50° F	10°C		
MAX. RESTART PRESSURE		0 PSI	0 bar	0 PSI	0 bar	0 PSI	0 bar	0 PSI	0 bar	0 PSI	0 bar		
MAX. RESTART VACUUM		0"hg	0 mbar	0"hg	0 mbar	0"hg	0 mbar	0"hg	0 mbar	0"hg	0 mbar		
MOTOR VOLTAGE/FREQUENCY		220-240/50/1 - 230/60/1		220-240/50/1 - 230/60/1		220-240/50/1 - 230/60/1		220-240/50/1 - 230/60/1		100-50/60/1			
MOTOR TYPE		Permanent Split Cap.		Permanent Split Cap.		Permanent Split Cap.		Permanent Split Cap.		Permanent Split Cap.			
CURRENT AT RATED LOAD (AMPS)		.8 / .9		1.5 / 1.3		1.5 / 1.3		1.5 / 1.3		4.7 / 3.2			
POWER AT RATED LOAD (WATTS)		140 / 160		200 / 200		240 / 240		270 / 270		300 / 255			
STARTING CURRENT (LOCKED ROTOR, AMPS)		3.9 / 3.8		3.9 / 3.8		3.9 / 3.8		3.9 / 3.8		12.0 / 11.0			
CAPACITOR VALUE		8 mfd		8 mfd		8 mfd		8 mfd		8 mfd			
MIN. FULL LOAD SPEED (RPM)		1460 / 1760		1420 / 1700		1400 / 1700		1400 / 1700		1380 / 1720			
THERMAL PROTECTOR		Yes		Yes		Yes		Yes		Yes			
NET WEIGHT		13.0 lbs.	5.9 kg	13.0 lbs.	5.9 kg	13.75 lbs.	6.2 kg	14.5 lbs.	6.6 kg	14.5 lbs.	6.6 kg		

Dimensions

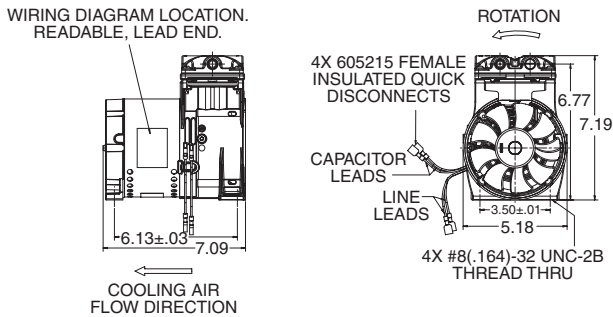
668CE



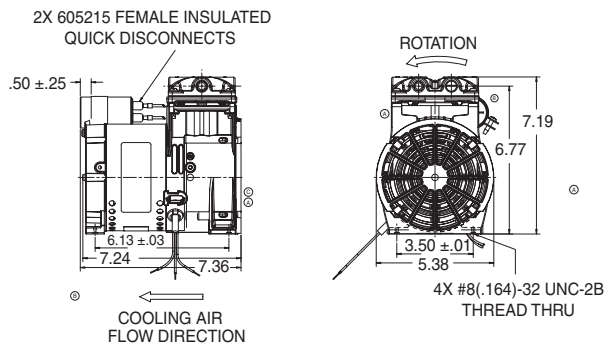
688CE



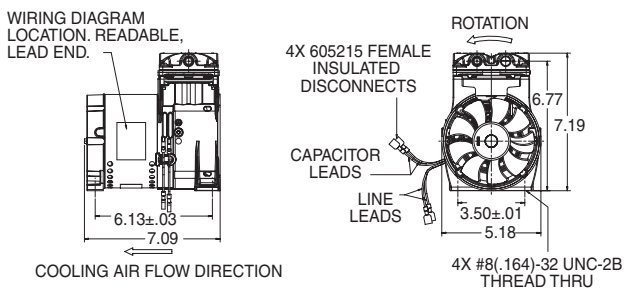
668CGHI



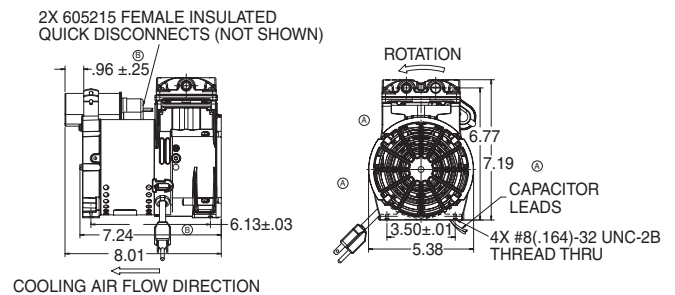
688CGHI



668CS



688CS



THOMAS
A Gardner Denver Product

Thomas Products Division
1419 Illinois Ave
Sheboygan, WI 53082 USA
Phone: (920) 457-4891
Fax: (920) 451-4276
www.thomaspumps.com