

Barriere per bordo laterale su rilevato

Single sided guardrails



steel safety on roadways

Require Marcegaglia Buildtech full range of steel road safety barriers: from the **steel partner**, steel safety on roadways.

Marcegaglia Buildtech safety barriers solutions are part of Marcegaglia steel production chain and are engineered, assembled then **tested** in order to comply with specific **norm requirements**.

Certificazioni

Certifications - Zertifizierungen - Certifications - Certificaciones

- **RINA ISO 9001:2008** certificato N. 12370/05/S
- **IQNet - CISQ/RINA** Quality Management System **ISO 9001:2008** Registration N. IT-42009
- **Certificati CE** di costanza della prestazione

Crash tests

Crash tests - Crash-Tests - Essais de chocs - Crash tests



Classe H2 Bordo Laterale - Barriera 2 onde singola su rilevato W2

Class H2 Roadside - 2-waves single sided guardrail W2

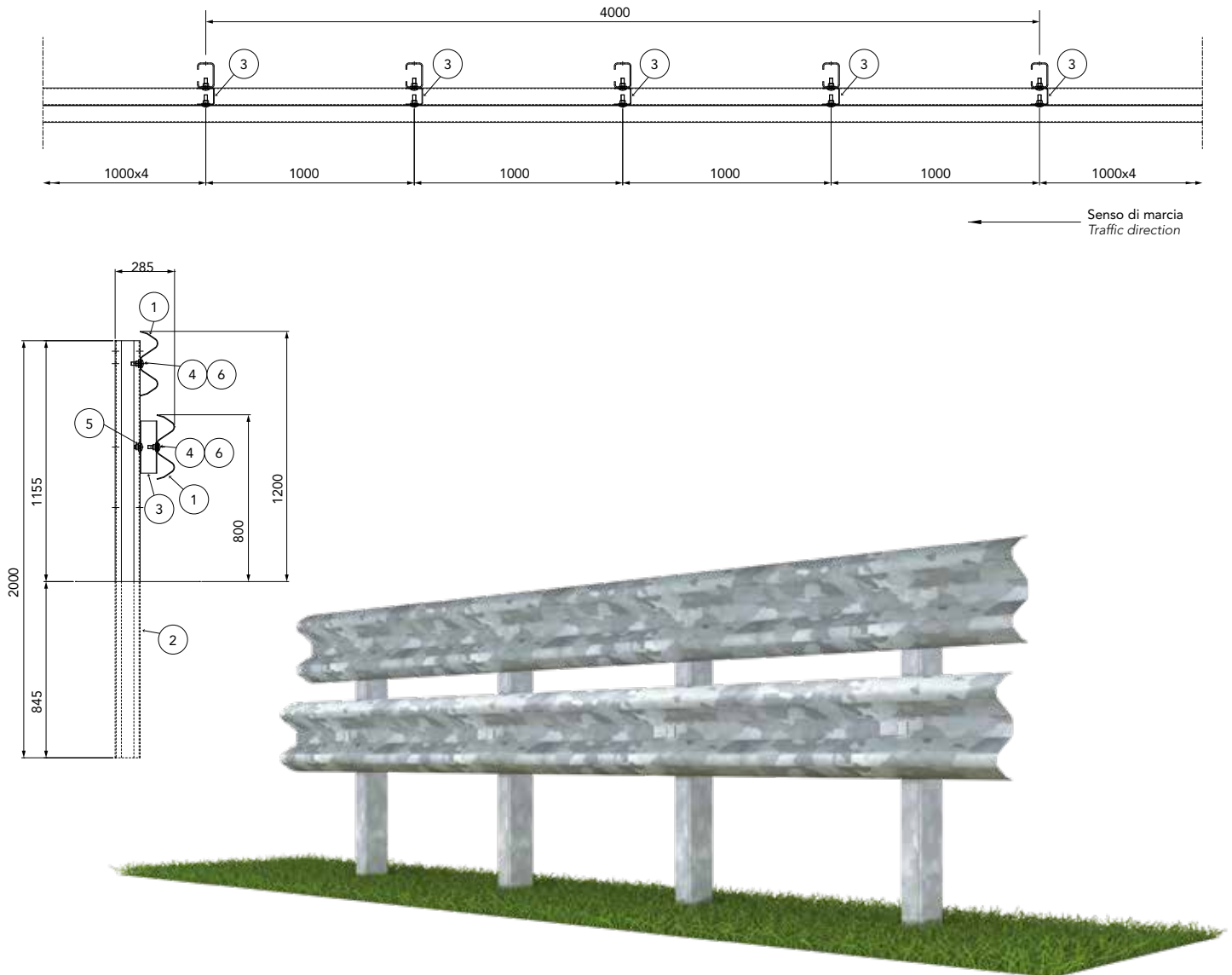
Aufhaltestufe H2 für rammfähige Böden - 2-welliges Rückhaltesystem W2

Classe H2 Bord latéral - Glissière 2 crosses simple sur remblai W2

Clase H2 Borde lateral - Barrera de doble onda simple sobre base terreno W2

H2-W2

2-waves



Caratteristiche Characteristics, Eigenschaften, Caractéristiques, Características	
Altezza fuori terra Height above ground level, Höhe über Grundboden, Hauteur hors sol, Altura sobre el suelo	1200 mm
Profondità d'infissione Depth of penetration, Rammtiefe, Profondeur de piling du poteau, Longitud hincada	845 mm
Ingombro trasversale Overall width, Gesamtbreite, Grosseur hors tout, Anchura total	285 mm
Interasse pali Post spacing, Steherabstand, Distance entre poteaux, Distancia entre postes	1000 mm

Rapporti di prova Crash test reports, Testberichte, Comptes rendus d'essais, Relaciones de pruebas											
Test n.	Facility	Test	Type	Barrier length MTL	Mass kg	Speed km/h	ASI max 1.4	THIV max 33 km/h	D m	Vi m	W m
PROVA 1328	AISICO	TB51	Laterale 20°	80,00	13000	70	-	-	0,7	0,8	0,8=W2
PROVA 1329	AISICO	TB11	Laterale 20°	80,00	900	100	1,2=B	33	0,4	-	0,4=W1

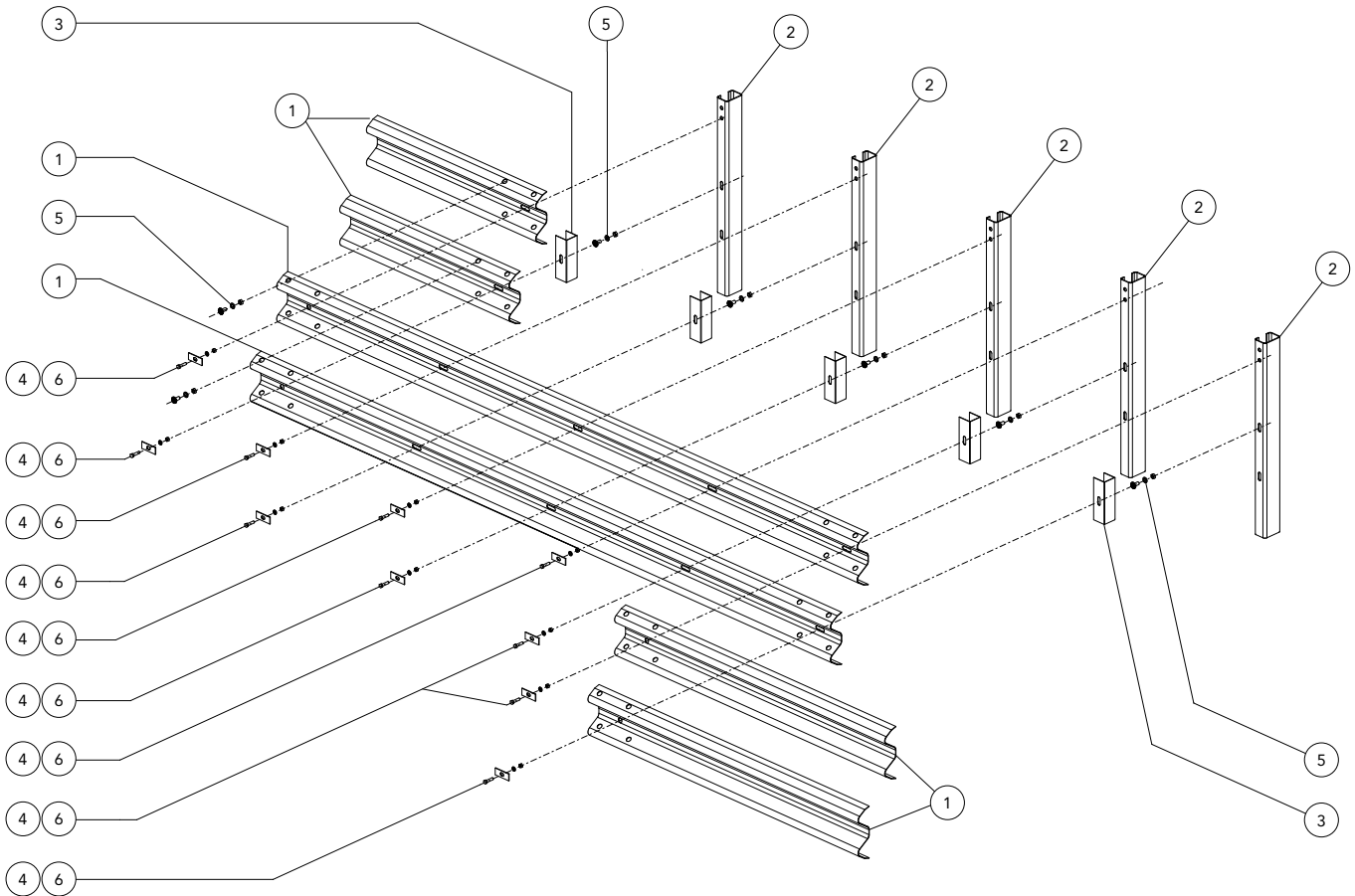
Sales office:

MARCEGAGLIA BUILDTECH guardrail division
 strada Roveri, 4
 15068 Pozzolo Formigaro, Alessandria - Italy
 phone +39 . 0143 77 61 • fax +39 . 0143 77 63 53

guardrail@marcegaglia.com
 www.marcegagliabuildtech.it

Plants:

MARCEGAGLIA BUILDTECH Pozzolo Formigaro
 strada Roveri, 4
 15068 Pozzolo Formigaro, Alessandria - Italy
 phone +39 . 0143 77 61 • fax +39 . 0143 77 63 53



Componenti Components, Bauteile, Composants, Elementos			
Descrizione Description			Materiale Material
6	Bullone completo Bolt with nut and washer, Schraube komplett, Boulon complet, Tornillo completo con tuerca y arandela	M16x50 mm	Classe 8.8
5		M16x30 mm	Classe 8.8
4	Piastrina copriasola Slot covering plate, Lochabdeckplatte, Plaque de couverture fente, Placa cubre-ranura	100x40x4 mm	S 275 JR
3	Distanziatore Spacer, Abstandhalter, Entretoise, Separador	80x80x3 mm	S 275 JR
2	Palo "C" C-post, C-Steher, Poteau en C, Poste "C"	120x80x30 Th=5 H=2000 mm	S 235 JR
1	Fascia 2 onde 2-waves beam, 2-wellige Leitschiene, Glissière 2 crosses, Banda doble onda	L=4316 Th=2.85 mm	S 355 JR