

## PALLETS MANURACK FOR STORAGE AND TRANSPORT [ MOBILE, FLEXIBLE PALLET STILLAGES STORAGE SYSTEM ]



RUUKKI POLSKA



SIMAX TKANINY



KOMO SERVICE



**Solid, durable and effective solution in storage.**

W.M. POMTOR is one of the first manufacturers of Manuracks in Poland.

We produce them since 1994, during this time we've gained big experience in production process and the ways of using our pallets.

Thus in 2009 we were the first ones to introduce improvements to the design of pallets which have been used so far.

This allowed to reduce their weight and also price while we kept the carrying capacity.

Our improved pallets did get certificates of TUV Rheinland and mark of product's quality T & M

Our company has ISO 9001 certificate also.

We are a partner whom you can fully trust.



# Technical parameters



Manurack

M1S355



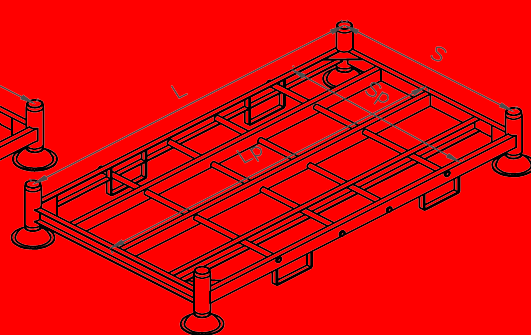
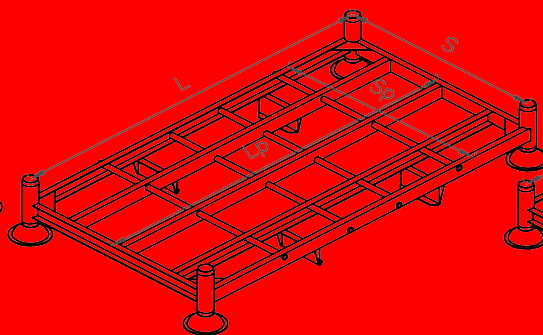
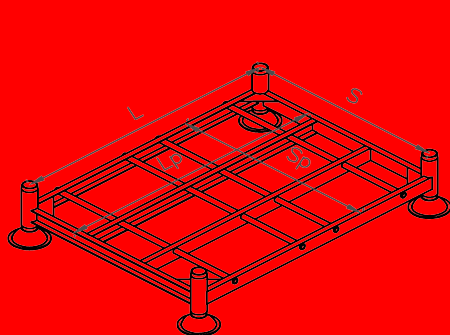
Manurack

M2S355



Manurack

M2AS355



L = 1370 mm S = 1005 mm  
Lp = 1395 mm Sp = 1060 mm

L = 1850 mm S = 1005 mm  
Lp = 1875 mm Sp = 1060 mm

L = 1850 mm S = 1005 mm  
Lp = 1875 mm Sp = 1060 mm

L / S - axial dimensions of pallets | Lp / Sp - dimension of storage's surface

Manurack

M1S355

Manurack

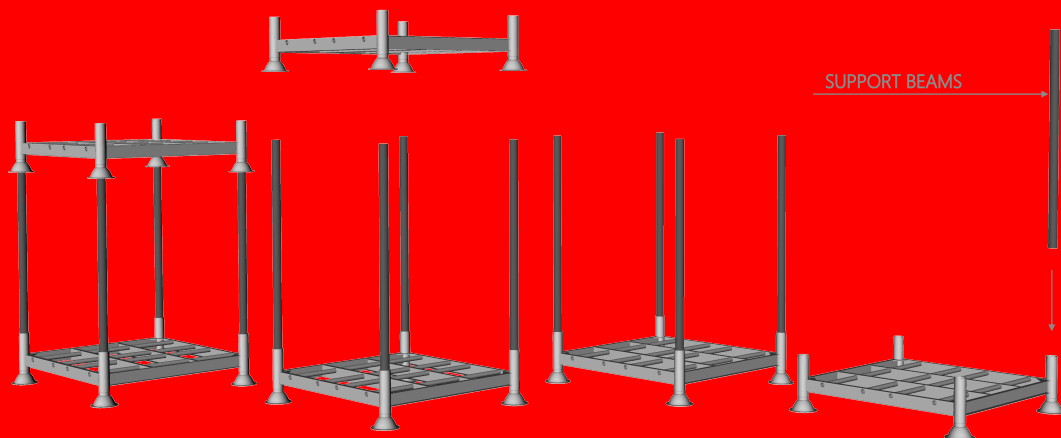
M2S355

Manurack

M2AS355

Manurack pallets are flexible, mobile system which gives possibilities to build pallet stillages of modern high-stacking warehouse without using tools and screws to mount them, it fits to every kind of storage space, it gives fast possibility to change configuration in every storage. *It helps use the storage space effectively.*

## Stacking



SUPPORT BEAMS

**BY USING SUPPORT BEAMS YOU CAN EASILY, QUICKLY AND SAFELY TURN MANURACKS INTO WAREHOUSE RACKS.**

Length of support tube [mm]:

Max. quantity of pallets in stack:

Max. load height [mm]:

Load capacity of pallet stack M1 [kg]:

Load capacity of pallet stack M2 [kg]:

1050	1340	1680	2100
5	4	4	3
870	1160	1500	1920
7 500	6 000	6 000	4 000
10500	8 000	8 000	6 000

Max. load capacity M1S355

1500 kg

Max. load capacity M2AS355

2000 kg

