

Barriere per bordo ponte

Guardrails for bridge



steel safety on roadways

Require Marcegaglia Buildtech full range of steel road safety barriers: from the **steel partner**, steel safety on roadways.

Marcegaglia Buildtech safety barriers solutions are part of Marcegaglia steel production chain and are engineered, assembled then **tested** in order to comply with specific **norm requirements**.

Certificazioni

Certifications - Zertifizierungen - Certifications - Certificaciones

- **RINA ISO 9001:2008** certificato N. 12370/05/S
- **IQNet - CISQ/RINA** Quality Management System **ISO 9001:2008** Registration N. IT-42009
- **Certificati CE** di costanza della prestazione

Crash tests

Crash tests - Crash-Tests - Essais de chocs - Crash tests



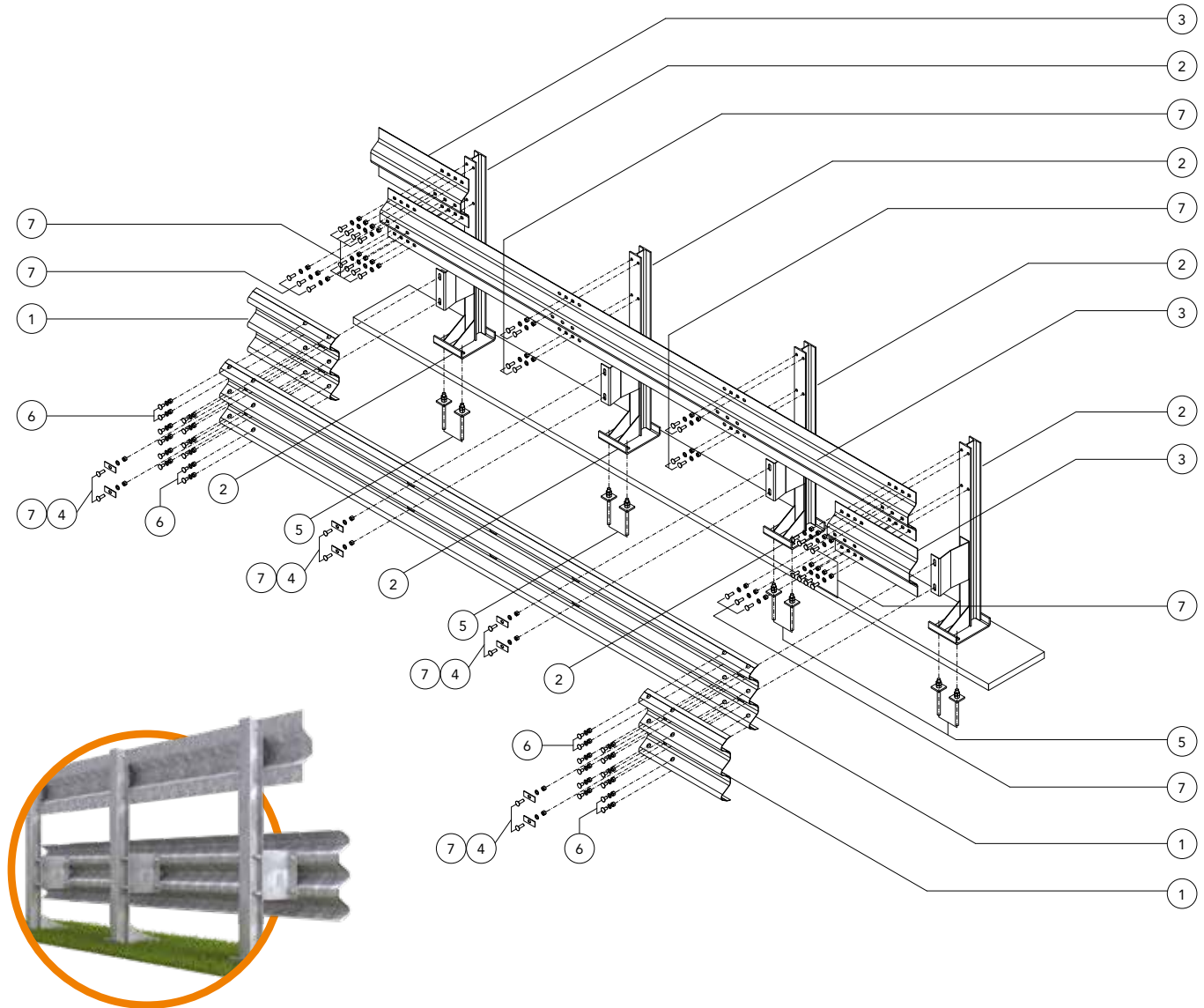
Sales office:

MARCEGAGLIA BUILDTECH guardrail division
 strada Roveri, 4
 15068 Pozzolo Formigaro, Alessandria - Italy
 phone +39 . 0143 77 61 • fax +39 . 0143 77 63 53

guardrail@marcegaglia.com
 www.marcegagliabuildtech.it

Plants:

MARCEGAGLIA BUILDTECH Pozzolo Formigaro
 strada Roveri, 4
 15068 Pozzolo Formigaro, Alessandria - Italy
 phone +39 . 0143 77 61 • fax +39 . 0143 77 63 53



Componenti Components, Bauteile, Composants, Elementos

	Descrizione Description		Materiale Material
7	Bullone completo Bolt with nut and washer, Schraube komplett, <i>Boulon complet, Tornillo completo con tuerca y arandela</i>	M16x50 mm	Classe 8.8
6		M16x30 mm	Classe 8.8
5	Tirafondo + 2 dadi + 1 rondella Anchor bolt + 2 nuts + 1 washer, Verbundklebeankerschraube + 2 Mütter + 1 Unterlegscheibe, Tire-fond + 2 écrous + 1 rondelle, Varilla Roscada + 2 tuercas + 1 arandela	M20x280 mm	Classe 8.8
4	Piastrina copriasola Slot covering plate, Lochabdeckplatte, Plaque de couverture fente, Placa cubre-ranura	100x40x4 mm	S 275 JR
3	Trave superiore Upper T-beam, Geländerträger, Poutre supérieure, Viga superior	L=4800 Sv.450 mm Th=4 mm	S 355 JR
2	Palo con piastra Post with base plate, Vierkantrhrsteher mit Grundplatte, Poteau tubulaire avec plaque, Poste de tubo con placa	HEA100	S 275 JR
1	Fascia 3 onde 3-waves beam, 3-wellige Leitschiene, Glissière 3 crosses, Banda triple onda	L=4816 (1500x3) Th=2,5 mm	S 275 JR