

Verderair

VA50 metallic



VERDERAIR®

Description

The VA50 metallic double diaphragm pumps are excellent pumps for use in a wide range of applications across many industries. The reliability of those pumps and especially the air valves, have been proven in many industries since many years. The pumps are available in 3 different materials for the pump body and 7 different materials for the diaphragms. This makes it possible to select the best solution for your application.

Your benefits

- Easy to install, operate and maintain
- Less downtime
- Free of air lubrication
- Non-stalling air valve
- Can run-dry without damage
- Dry self-priming

Technical data

Weight [kg]	Fluid & air section	AA	26,3	
		SA	50,3	
		IA	59	
		SS	61	
Max. suction lift [mwc]		Dry	2,5	
		Wet	5,5	
Temperature [°C]	Fluid section	Internals		
	A, S, I	BN, GE, HY, SP, TO	5	65
	A, S, I	TF, VT	5	93
Max. Particle size [mm]			6,3	
Max. recommended viscosity (mPas)			20000	

Code VA50 No.1 No.2 No.3 No.4. No.5 No.6 No.7

No.1 Fluid section

- ⚠ A = Aluminium
- ⚠ I = Cast Iron
- ⚠ S = Stainless Steel

No.2 Air section

- A = Aluminium
- S = Stainless Steel

No.3 Check valve seats

- BN = Buna-N
- GE = Geolast
- HS = Hardened Stainless Steel
- HY = Hytrel (TPE)
- SP = Santoprene

- SS = Stainless Steel
- VT = Viton (FKM)

No. 4 Check valve balls

- AC = Acetal
- BN = Buna-N
- GE = Geolast
- HS = Hardened Stainless Steel
- HY = Hytrel (TPE)
- SP = Santoprene
- TF = Teflon
- VT = Viton (FKM)

No.5 Diaphragms

- BN = Buna-N

- GE = Geolast
- HY = Hytrel (TPE)
- SP = Santoprene
- TF = PTFE/Santoprene 2 piece
- TO = PTFE/EPDM overmolded
- VT = Viton (FKM)

No. 6 Connections

- TB = Threaded BSP
- TN = Threaded NPT

No. 7 Options

- OO = Standard
- EX = Extended
- RE = Remote

EXAMPLE PUMP TYPE

VA50AA SS BN BN TB OO

NOTE not all combinations are available

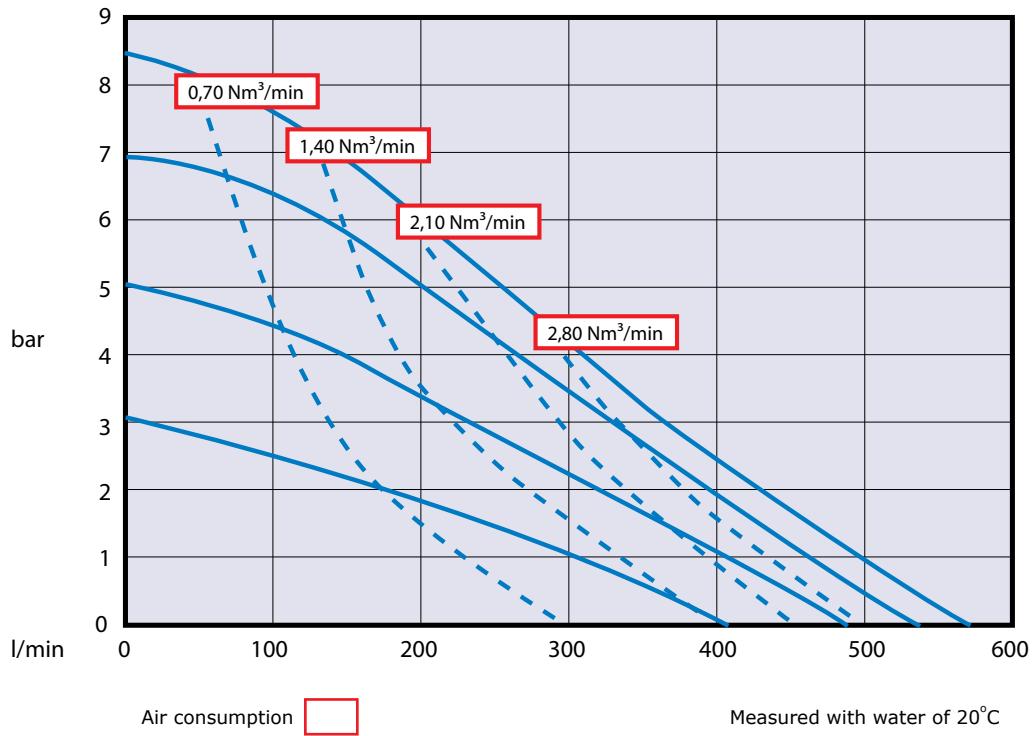
⚠ II 2 GD c IIC T4

Verderair

VA50 metallic



VERDERAIR®



Verderair

VA50 metallic



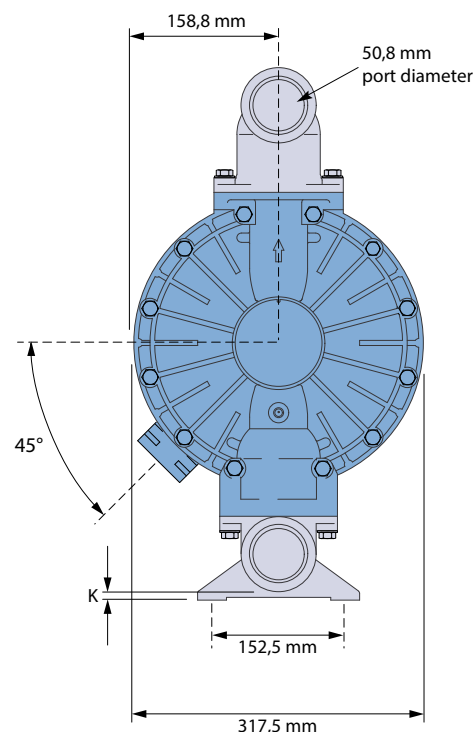
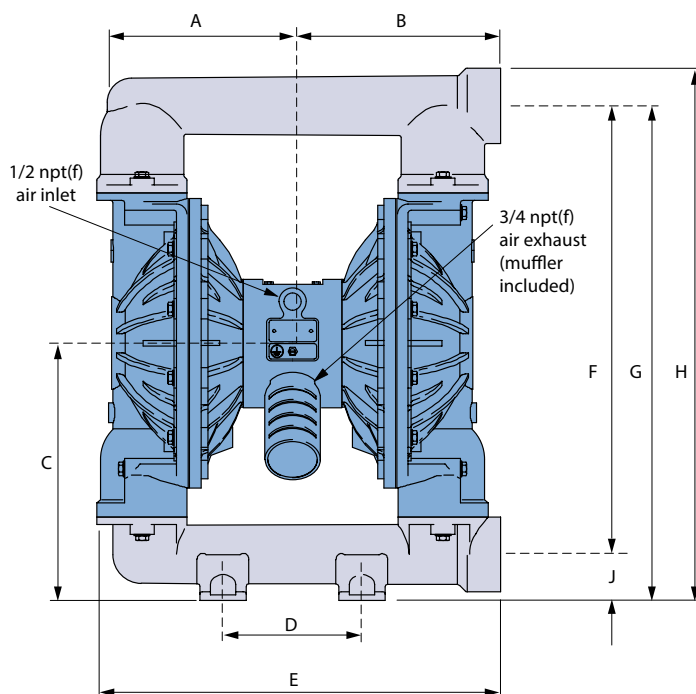
VERDERAIR®

Dimensions in mm

	Stainless Steel	Cast Iron	Aluminium	Aluminium Extension *
A	227,7	213,1	213,1	213,1
B	238	245	229	231
C	385	327	328	328
D	165	152	152	152
E	459	469	443	442
F	565	491	506	581
G	631	542	557	632
H	668	578	598	673
J	64	51	51	51
K	24	14	10	10

* Aluminium extended pump matches the inlet to outlet dimensions of Wilden and Aro aluminium pumps.

This will help for ease of installation during upgrades.



VA50met_Technosheet_rev02_2015_(eu)

All dimensions are in mm.
All dimensions are for guidance only.

Find your local supplier
at www.verderair.com

For construction, installation and floor mounting drawings
please contact your local authorised Verderair® distributor.

VERDER
passion for pumps

