

Barriere per bordo laterale su rilevato

Single sided guardrails



steel safety on roadways

Require Marcegaglia Buildtech full range of steel road safety barriers: from the **steel partner**, steel safety on roadways.

Marcegaglia Buildtech safety barriers solutions are part of Marcegaglia steel production chain and are engineered, assembled then **tested** in order to comply with specific **norm requirements**.

Certificazioni

Certifications - Zertifizierungen - Certifications - Certificaciones

- **RINA ISO 9001:2008** certificato N. 12370/05/S
- **IQNet - CISQ/RINA** Quality Management System **ISO 9001:2008** Registration N. IT-42009
- **Certificati CE** di costanza della prestazione

Crash tests

Crash tests - Crash-Tests - Essais de chocs - Crash tests



Classe H3 Bordo Laterale - Barriera 3 onde singola su rilevato W8

Class H3 Roadside - 3-waves single sided guardrail W8

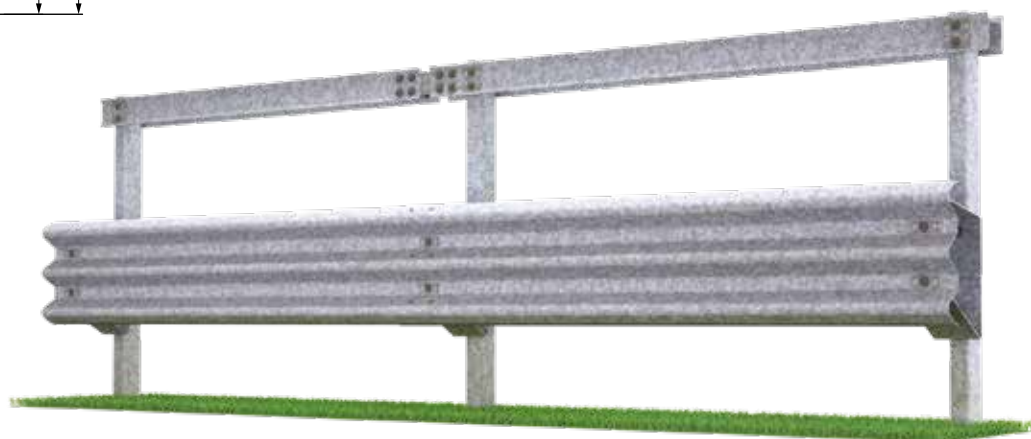
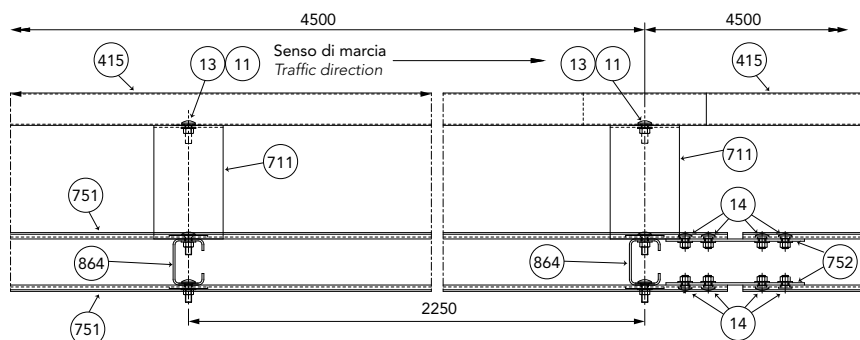
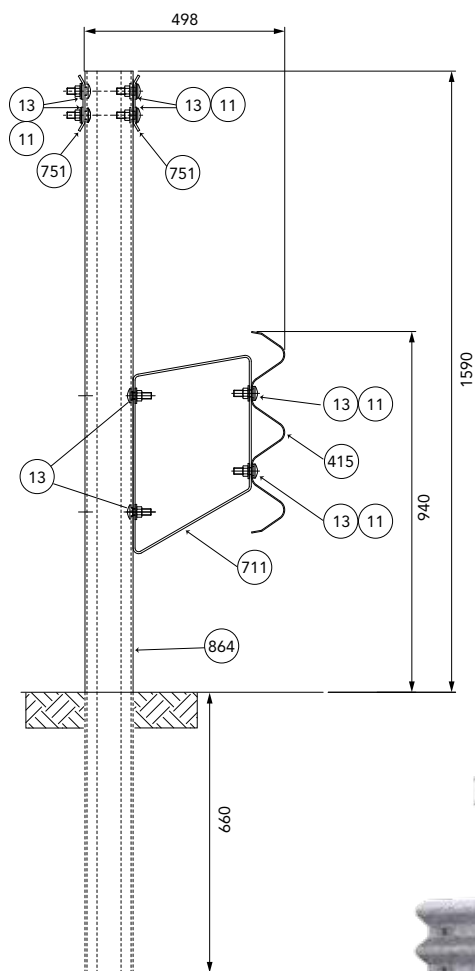
Aufhaltestufe H3 für rammfähige Böden - 3-welliges Rückhaltesystem W8

Classe H3 Bord latéral - Glissière 3 crosses simple sur remblai W8

Clase H3 Borde lateral - Barrera de triple onda simple sobre base terreno W8

H3-W8

3-waves



Caratteristiche Characteristics, Eigenschaften, Caractéristiques, Características

Altezza fuori terra Height above ground level, Höhe über Grundboden, Hauteur hors sol, Altura sobre el suelo	1590 mm
Profondità d'infissione Depth of penetration, Rammtiefe, Profondeur de piling du poteau, Longitud hincada	660 mm
Ingombro trasversale Overall width, Gesamtbreite, Grosseur hors tout, Anchura total	498 mm
Interasse pali Post spacing, Steherabstand, Distance entre poteaux, Distancia entre postes	2250 mm

Rapporti di prova Crash test reports, Testberichte, Comptes rendus d'essais, Relaciones de pruebas

Test n.	Facility	Test	Type	Barrier length m	Mass kg	Speed km/h	ASI max 1.4	THIV max 33 km/h	D m	Vi m	W m
PROVA 631	Aisico	TB61	Laterale 20°	99	16.000	80	-	-	3	3,3	3,4=W8
PROVA 643	Aisico	TB11	Laterale 20°	99	900	100	0,8=A	22	0,8	-	1,2=W4

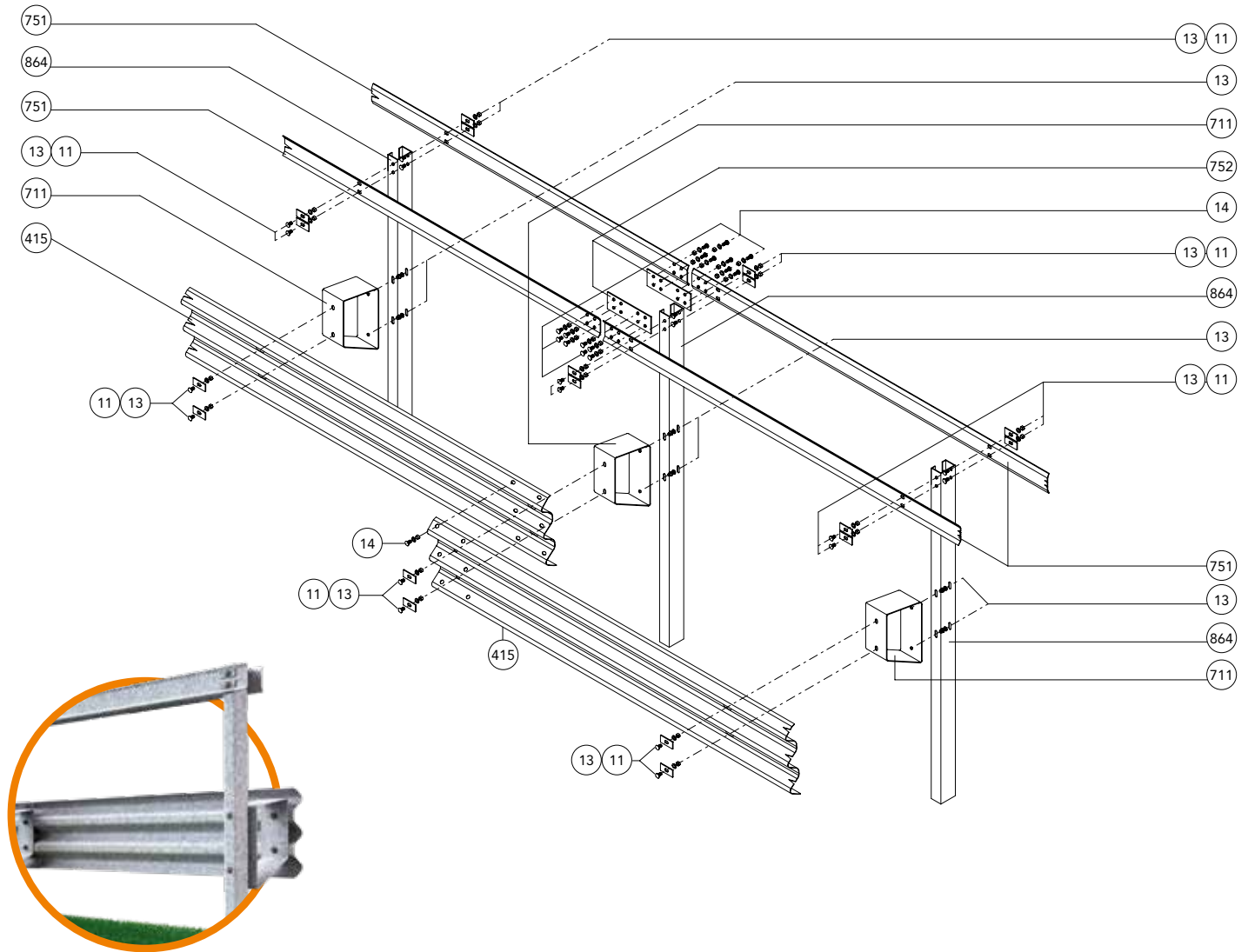
Sales office:

MARCEGAGLIA BUILDTECH guardrail division
 strada Roveri, 4
 15068 Pozzolo Formigaro, Alessandria - Italy
 phone +39 . 0143 77 61 • fax +39 . 0143 77 63 53

guardrail@marcegaglia.com
 www.marcegagliabuildtech.it

Plants:

MARCEGAGLIA BUILDTECH Pozzolo Formigaro
 strada Roveri, 4
 15068 Pozzolo Formigaro, Alessandria - Italy
 phone +39 . 0143 77 61 • fax +39 . 0143 77 63 53



Componenti Components, Bauteile, Composants, Elementos

	Descrizione Description		Materiale Material
13	Bullone completo Bolt with nut and washer, Schraube komplett, Boulon complet, Tornillo completo con tuerca y arandela	M16x50 mm	Classe 8.8
14		M16x30 mm	Classe 8.8
11	Piastrina copriasola Slot covering plate, Lochabdeckplatte, Plaque de couverture fente, Placa cubre-ranura	100x40x4 mm	S 275 JR
753	Elemento di trazione Traction element, Zugelement, Élément de traction, Elemento de tracción	Th=6 mm	S 235 JR
752	Piatto di collegamento Connection plate, Anschlussplatte, Plaque de connexion, Platina de unión	120 Th=6 L=360 mm	S 235 JR
711	Distanziatore romboidale Rhomboidal spacer, Rhomboidisch. Abstandhalter, Entretoise en losange, Separador romboidal	Th=5 mm	S 235 JR
751	Bandella superiore Upper shaped plate, Oberer Bandstahl, Barre supérieure, Banda superior	140 mm Th=5 L=4460 mm	S 355 JR
864	Palo "C" C-post, C-Steher, Poteau en C, Poste "C"	120x80x30 Th=5 H=2250 mm	S 235 JR
415	Fascia 3 onde 3-waves beam, 3-wellige Leitschiene, Glissière 3 crosses, Banda triple onda	L=4816 (2250x2) Th=2,5 mm	S 235 JR