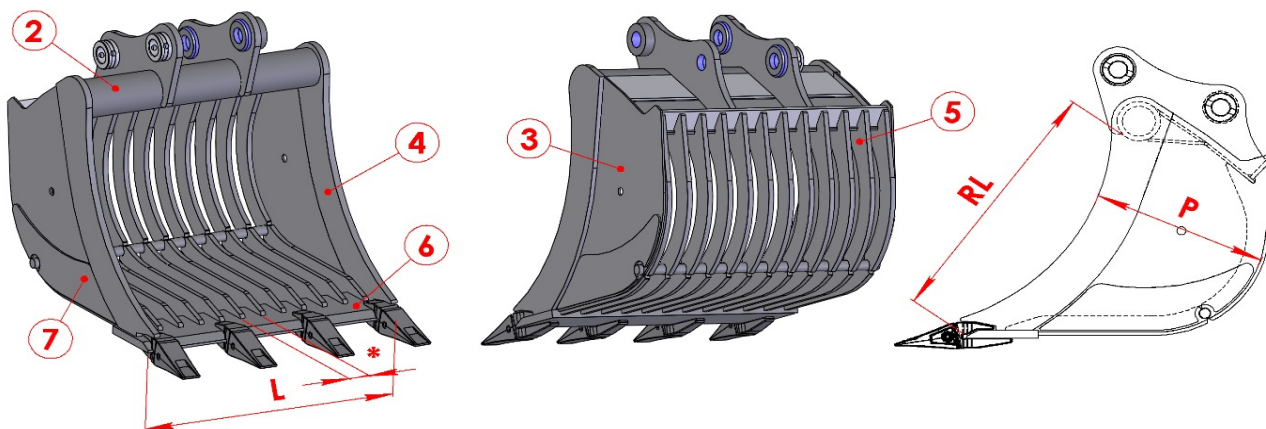


**BENNA GRIGLIATA per escavatori**  
**SKELETON BUCKET for excavators**  
**GODET CRIBLE pour pelles**  
**CAZO REJADO para excavadoras**  
**GITTERLÖFFEL für Bagger**

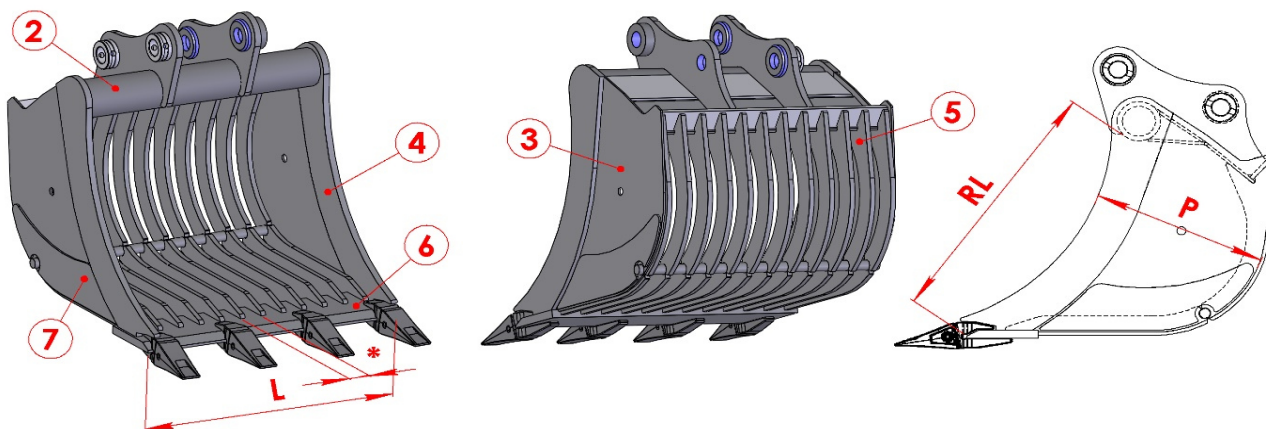


Classe Class	Codice Code	L mm.	Cap. SAE Lt.	Denti n° Teeth	Peso Kg. Weight	RL mm.	P mm.	Tipo Denti - Teeth Type €	
								C 01	Esco V13 SYL
T.18 0,6 - 1,1 ton	WGS018-040	400	31	3	39	350	248	/	/
	WGS018-050	500	40	4	44			/	/
	WGS018-060	600	50	5	47			/	/
		<b>1</b>	<b>2</b>	<b>3</b>	<b>4</b>	<b>5</b>	<b>6</b>	<b>7</b>	<b>*</b>
Materiale	Material	/	S355	S355	S355	S355	EN 250	/	/
Spessore	Thickness	/	54 x 6 mm	4 mm	8 mm	6 mm	110 x 16 mm	/	50 mm

Classe Class	Codice Code	L mm.	Cap. SAE Lt.	Denti n° Teeth	Peso Kg. Weight	RL mm.	P mm.	Tipo Denti - Teeth Type €	
								C 01	Esco V13 SYL
T.20 1,2 - 1,8 ton	WGS020-050	500	48	4	55	386	278	/	/
	WGS020-060	600	60	5	61			/	/
	WGS020-070	700	72	5	67			/	/
		<b>1</b>	<b>2</b>	<b>3</b>	<b>4</b>	<b>5</b>	<b>6</b>	<b>7</b>	<b>*</b>
Materiale	Material	/	S355	S355	S355	S355	EN 250	/	/
Spessore	Thickness	/	60 x 8 mm	4 mm	8 mm	8 mm	150 x 16 mm	/	50 mm

Classe Class	Codice Code	L mm.	Cap. SAE Lt.	Denti n° Teeth	Peso Kg. Weight	RL mm.	P mm.	Tipo Denti - Teeth Type €	
								C 01	Esco V13 SYL
T.25 1,9 - 2,8 ton	WGS025-060	600	78	5	82	447	312	/	/
	WGS025-070	700	93	5	86			/	/
	WGS025-080	800	109	5	92			/	/
		<b>1</b>	<b>2</b>	<b>3</b>	<b>4</b>	<b>5</b>	<b>6</b>	<b>7</b>	<b>*</b>
Materiale	Material	/	S355	S355	S355	S355	EN 250	/	/
Spessore	Thickness	/	70 x 8 mm	4 mm	8 mm	8 mm	150 x 16 mm	/	50 mm

**BENNA GRIGLIATA per escavatori**  
**SKELETON BUCKET for excavators**  
**GODET CRIBLE pour pelles**  
**CAZO REJADO para excavadoras**  
**GITTERLÖFFEL für Bagger**



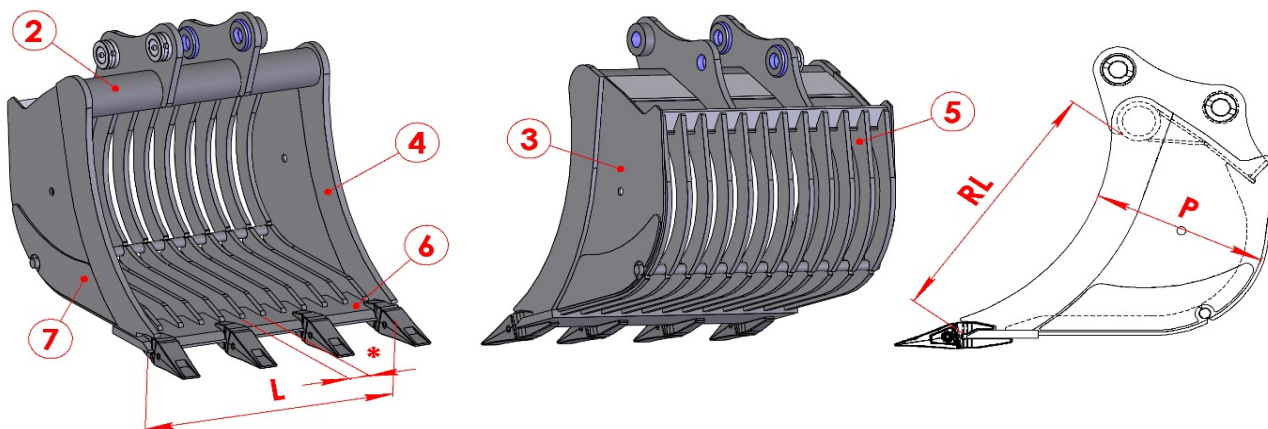
Classe Class	Codice Code	L mm.	Cap. SAE Lt.	Denti n° Teeth	Peso Kg. Weight	RL mm.	P mm.	Tipo Denti - Teeth Type €	
								C 01	Esco V13 SYL
T.30 2,9 - 3,9 ton	WGS025-060	600	103	5	105	506	352	/	/
	WGS025-070	700	123	5	115			/	/
	WGS025-080	800	144	5	122			/	/
		<b>1</b>	<b>2</b>	<b>3</b>	<b>4</b>	<b>5</b>	<b>6</b>	<b>7</b>	<b>*</b>
Materiale	Material	/	S355	S355	S355	S355	EN 250	/	/
Spessore	Thickness	/	76 x 8 mm	5 mm	10 mm	8 mm	150 x 16 mm	/	50 mm

Classe Class	Codice Code	L mm.	Cap. SAE Lt.	Denti n° Teeth	Peso Kg. Weight	RL mm.	P mm.	Tipo Denti - Teeth Type €	
								C 02	Esco V17 TYL
T.35 4,0 - 5,2 ton	WGS035-080	800	203	5	174	609	424	/	/
	WGS035-090	900	222	6	189			/	/
	WGS035-100	1000	262	6	198			/	/
		<b>1</b>	<b>2</b>	<b>3</b>	<b>4</b>	<b>5</b>	<b>6</b>	<b>7</b>	<b>*</b>
Materiale	Material	/	S355	S355	S355	S355	EN 250	/	/
Spessore	Thickness	/	89 x 10 mm	5 mm	12 mm	10 mm	200 x 20 mm	/	50 mm

Classe Class	Codice Code	L mm.	Cap. SAE Lt.	Denti n° Teeth	Peso Kg. Weight	RL mm.	P mm.	Tipo Denti - Teeth Type €	
								C 03	Esco V17 TYL
T.45 5,3 - 7,0 ton	WGS035-080	800	269	5	250	707	498	/	/
	WGS035-090	900	308	5	277			/	/
	WGS035-100	1000	348	6	331			/	/
		<b>1</b>	<b>2</b>	<b>3</b>	<b>4</b>	<b>5</b>	<b>6</b>	<b>7</b>	<b>*</b>
Materiale	Material	/	S355	S355	S355	S355	EN 250	/	/
Spessore	Thickness	/	108 x 11 mm	6 mm	15 mm	12 mm	200 x 25 mm	/	50 mm



**BENNA GRIGLIATA per escavatori**  
**SKELETON BUCKET for excavators**  
**GODET CRIBLE pour pelles**  
**CAZO REJADO para excavadoras**  
**GITTERLÖFFEL für Bagger**

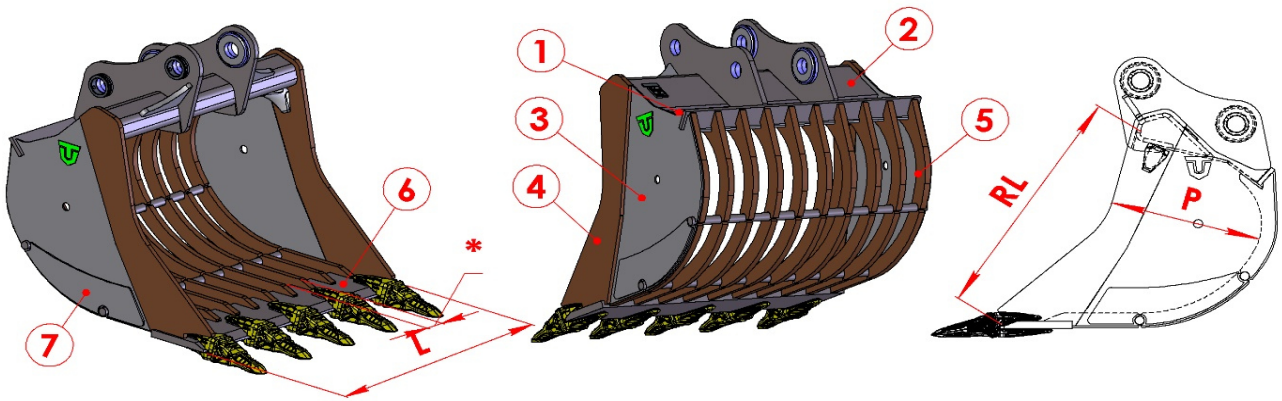


Classe Class	Codice Code	L mm.	Cap. SAE Lt.	Denti n° Teeth	Peso Kg. Weight	RL mm.	P mm.	Tipo Denti - Teeth Type €	
								CAT J220	Esco V17 TYL
T.48 7,1 - 9,5 ton	WGS048-080	800	311	4	309	760	507	/	/
	WGS048-090	900	358	5	328			/	/
	WGS048-100	1000	404	6	358			/	/
		<b>1</b>	<b>2</b>	<b>3</b>	<b>4</b>	<b>5</b>	<b>6</b>	<b>7</b>	<b>*</b>
Materiale	Material	/	S355	S355	S355	S355	EN 250	S355	/
Spessore	Thickness	/	121 x 14 mm	6 mm	20 mm	15 mm	200 x 25 mm	6 mm	50 mm

Classe Class	Codice Code	L mm.	Cap. SAE Lt.	Denti n° Teeth	Peso Kg. Weight	RL mm.	P mm.	Tipo Denti - Teeth Type €	
								CAT J220	Esco U20 S
T.50 9,6 - 12,5 ton	WGS050-090	900	404	5	412	810	554	/	/
	WGS050-100	1000	457	5	448			/	/
	WGS050-110	1100	510	6	472			/	/
		<b>1</b>	<b>2</b>	<b>3</b>	<b>4</b>	<b>5</b>	<b>6</b>	<b>7</b>	<b>*</b>
Materiale	Material	/	S355	S355	S355	S355	EN 250	S355	/
Spessore	Thickness	/	127 x 14 mm	6 mm	20 mm	20 mm	250 x 30 mm	6 mm	50 mm



**BENNA GRIGLIATA per escavatori**  
**SKELETON BUCKET for excavators**  
**GODET CRIBLE pour pelles**  
**CAZO REJADO para excavadoras**  
**GITTERLÖFFEL für Bagger**



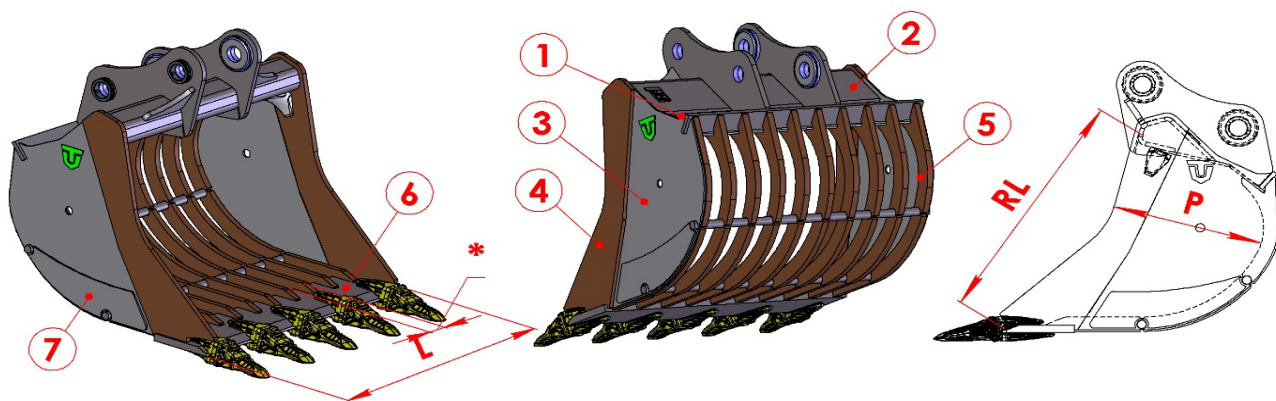
Classe Class	Codice Code	L mm.	Cap. SAE Lt.	Denti n° Teeth	Peso Kg. Weight	RL mm.	P mm.	Tipo Denti - Teeth Type €	
								CAT J300	Esco U25 S
T.55 12,6 - 16 t	WGS055-100	1000	537	5	501	934	562	/	/
	WGS055-120	1200	668	5	545			/	/
		<b>1</b>	<b>2</b>	<b>3</b>	<b>4</b>	<b>5</b>	<b>6</b>	<b>7</b>	<b>*</b>
Materiale	Material	S355	S355	S355	Hardox 400	S355	HB 400	S355	/
Spessore	Thickness	8 mm	12 mm	8 mm	20 mm	25 mm	270 x 32 mm	8 mm	100 mm

Classe Class	Codice Code	L mm.	Cap. SAE Lt.	Denti n° Teeth	Peso Kg. Weight	RL mm.	P mm.	Tipo Denti - Teeth Type €	
								CAT J300	Esco U30 S
T.60 16 - 19 ton	WGS060-100	1000	616	5	583	1004	626	/	/
	WGS060-120	1200	768	5	651			/	/
	WGS060-130	1300	844	6	710			/	/
		<b>1</b>	<b>2</b>	<b>3</b>	<b>4</b>	<b>5</b>	<b>6</b>	<b>7</b>	<b>*</b>
Materiale	Material	S355	S355	S355	Hardox 400	S355	HB 400	S355	/
Spessore	Thickness	8 mm	18 mm	8 mm	20 mm	25 mm	270 x 32 mm	10 mm	100 mm

Classe Class	Codice Code	L mm.	Cap. SAE Lt.	Denti n° Teeth	Peso Kg. Weight	RL mm.	P mm.	Tipo Denti - Teeth Type €	
								CAT J350	Esco U30 S
T.65 19 - 23 ton	WGS065-100	1000	751	4	795	1124	674	/	/
	WGS065-120	1200	936	5	897			/	/
	WGS065-130	1300	1029	5	935			/	/
	WGS065-150	1500	1216	6	1010			/	/
		<b>1</b>	<b>2</b>	<b>3</b>	<b>4</b>	<b>5</b>	<b>6</b>	<b>7</b>	<b>*</b>
Materiale	Material	S355	S355	S355	Hardox 400	S355	HB 400	S355	/
Spessore	Thickness	10 mm	18 mm	8 mm	25 mm	30 mm	300 x 35 mm	10 mm	100 mm



**BENNA GRIGLIATA per escavatori**  
**SKELETON BUCKET for excavators**  
**GODET CRIBLE pour pelles**  
**CAZO REJADO para excavadoras**  
**GITTERLÖFFEL für Bagger**

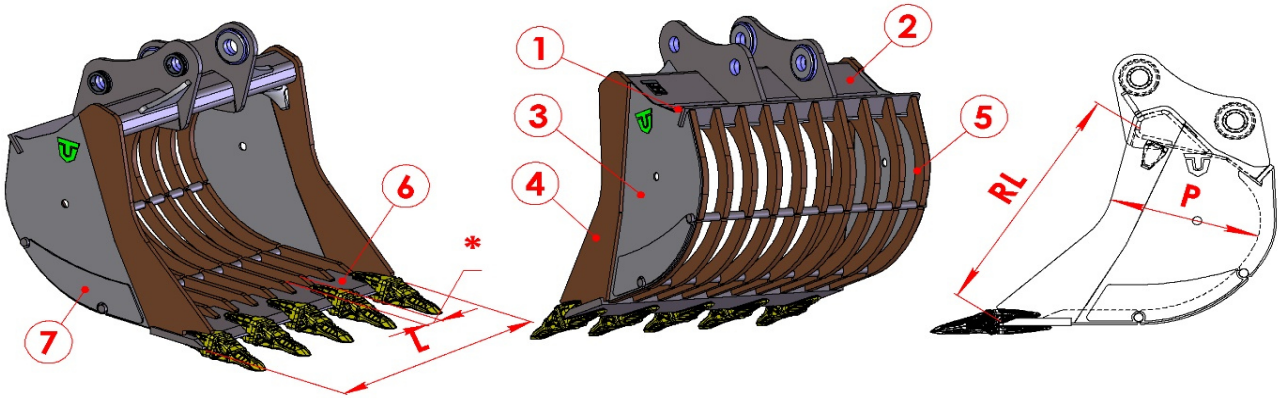


Classe Class	Codice Code	L mm.	Cap. SAE Lt.	Denti n° Teeth	Peso Kg. Weight	RL mm.	P mm.	Tipo Denti - Teeth Type €	
								CAT J350	Esco U35 S
T.66 23 - 26 ton	WGS066-100	1000	862	4	835	1151	748	/	/
	WGS066-120	1200	1075	5	943			/	/
	WGS066-130	1300	1183	5	1003			/	/
	WGS066-150	1500	1398	6	1102			/	/
		<b>1</b>	<b>2</b>	<b>3</b>	<b>4</b>	<b>5</b>	<b>6</b>	<b>7</b>	<b>*</b>
Materiale	Material	S355	S355	S355	Hardox 400	S355	HB 400	S355	/
Spessore	Thickness	10 mm	18 mm	10 mm	25 mm	30 mm	300 x 35 mm	10 mm	100 mm

Classe Class	Codice Code	L mm.	Cap. SAE Lt.	Denti n° Teeth	Peso Kg. Weight	RL mm.	P mm.	Tipo Denti - Teeth Type €	
								CAT J400	Esco U35 S
T.68 26 - 31 ton	WGS068-100	1000	1062	4	1114	1251	883	/	/
	WGS068-120	1200	1325	5	1219			/	/
	WGS068-130	1300	1457	5	1281			/	/
	WGS068-150	1500	1723	5	1398			/	/
		<b>1</b>	<b>2</b>	<b>3</b>	<b>4</b>	<b>5</b>	<b>6</b>	<b>7</b>	<b>*</b>
Materiale	Material	S355	S355	S355	Hardox 400	S355	HB 400	S355	/
Spessore	Thickness	10 mm	18 mm	10 mm	30 mm	30 mm	400 x 40 mm	12 mm	100 mm



**BENNA GRIGLIATA per escavatori**  
**SKELETON BUCKET for excavators**  
**GODET CRIBLE pour pelles**  
**CAZO REJADO para excavadoras**  
**GITTERLÖFFEL für Bagger**



Classe Class	Codice Code	L mm.	Cap. SAE Lt.	Denti n° Teeth	Peso Kg. Weight	RL mm.	P mm.	Tipo Denti - Teeth Type €	
								CAT J400	Esco U40 S
T.69 31 - 38 ton	WGS069-100	1000	1186	4	1318	1275	915	/	/
	WGS069-120	1200	1478	5	1423			/	/
	WGS069-130	1300	1625	5	1490			/	/
	WGS069-150	1500	1920	5	1642			/	/
	WGS069-160	1600	2068	6	1730			/	/
		<b>1</b>	<b>2</b>	<b>3</b>	<b>4</b>	<b>5</b>	<b>6</b>	<b>7</b>	<b>*</b>
Materiale	Material	S355	S355	S355	Hardox 400	S355	HB 400	S355	/
Spessore	Thickness	12 mm	20 mm	12 mm	30 mm	30 mm	400 x 40 mm	12 mm	100 mm

Classe Class	Codice Code	L mm.	Cap. SAE Lt.	Denti n° Teeth	Peso Kg. Weight	RL mm.	P mm.	Tipo Denti - Teeth Type €	
								CAT J400	Esco U40 S
T.70 38 - 43 ton	WGS070-100	1000	1168	4	1335	1360	921	/	/
	WGS070-120	1200	1467	5	1463			/	/
	WGS070-130	1300	1619	5	1610			/	/
	WGS070-150	1500	1925	5	1740			/	/
	WGS070-160	1600	2078	6	1860			/	/
		<b>1</b>	<b>2</b>	<b>3</b>	<b>4</b>	<b>5</b>	<b>6</b>	<b>7</b>	<b>*</b>
Materiale	Material	S355	S355	S355	Hardox 400	S355	HB 400	S355	/
Spessore	Thickness	12 mm	20 mm	12 mm	30 mm	35 mm	400 x 40 mm	12 mm	100 mm

Quotazioni e caratteristiche tecniche disponibili su richiesta per le classi T.75, T.80 e T.85

\* = Luce standard griglia-griglia

Quotations and technical details available upon request for T.75, T.80 and T.85 class

\* = Standard distance grill to grill

Devis et caractéristiques techniques sur demande pour classe T.75, T.80 et T.85

\* = Espacement standard du crible

Cotizaciones y características técnicas disponibles a petición para las clases T.75, T.80 y T.85

\* = Luz estandar reja-reja

Preise und technische unterlagen sind auf verfügbar auf Anfrage für T.75, T.80 und T.85 Klasse

\* = Standard Abstand zwischen die Rippen

