

Table de nomenclature

REP.	DESIGNATION(FR)	DESIGNATION(ENGLISH)	QTE
1	STRUCTURE DE SUPPORTAGE	SUPPORT STRUCTURE	1
2	SYSTEME DE PESE	WEIGHING SYSTEM	1
3	DECROCHAGE BIG BAG AUTOMATIQUE	AUTOMATIC BIG BAG RELEASE	2
4	MANCHETTE SOUPLE	FLEXIBLE SLEEVE	1
5	JOINT GONFLANT	INFLATING SEAL	1
6	CONNEXION DEPOUSSIERAGE	DEDUSTING CONNECTION	1
7	VENTILATEUR DE GONFLAGE BIG BAG	BIG BAG INFLATING FAN	1
8	TABLE ELEVATRICE	LIFTING TABLE	1

DIMENSION : [inch] / mm PLAN D'INFORMATION / INFORMATION DRAWING

PALAMATIC N'AYANT PAS EN CHARGE LE GENIE CIVIL, IL EST DE VOTRE RESPONSABILITE DE VOUS ASSURER DE LA RESISTANCE, DE LA STABILITE ET DE LA PLANEITE DE VOS SUPPORT OU SOLS RECEVANTS NOS EQUIPEMENTS, AUX DIFFERENTS EFFORTS ET CONTRAINTES AUQUELS ILS POURAIENT ETRE SOUMIS.

CE PLAN EST LA PROPRIETE DE LA SOCIETE PALAMATIC - IL NE PEUT ETRE COPIE OU UTILISE SANS AUTORISATION
THIS DRAWING IS THE PROPERTY OF THE COMPANY PALAMATIC - IT CANNOT BE COPIED OR USED WITHOUT AUTHORIZATION

CIVIL ENGINEERING WORKS ARE NOT INCLUDED IN PALAMATIC'S SCOPE OF SUPPLY. IT IS THE CLIENT'S RESPONSIBILITY TO ENSURE THE STABILITY, RESISTANCE AND FLATNESS OF THE STRUCTURES AND TERRAIN ON WHICH, PALAMATIC'S EQUIPMENT WILL BE MOUNTED. THESE STRUCTURES AND TERRAIN MUST BE ABLE TO WITHSTAND THE DIFFERENT LOADS AND CONSTRAINTS BROUGHT ON BY THESE EQUIPMENTS

Rue de l'Écolais 02 90 56 20 61
 Z.A. de la Croix Rouge
 35530 BRECE
 CYRIL.PICHARD@PALAMATIC.FR



Designation / Name :
REMPLISSAGE BIG BAG
 Description :
FLOWMATIC 05 TE

Dessiné par / Drawn by :
PICHARD
 Ref. Dossier / Project reference:

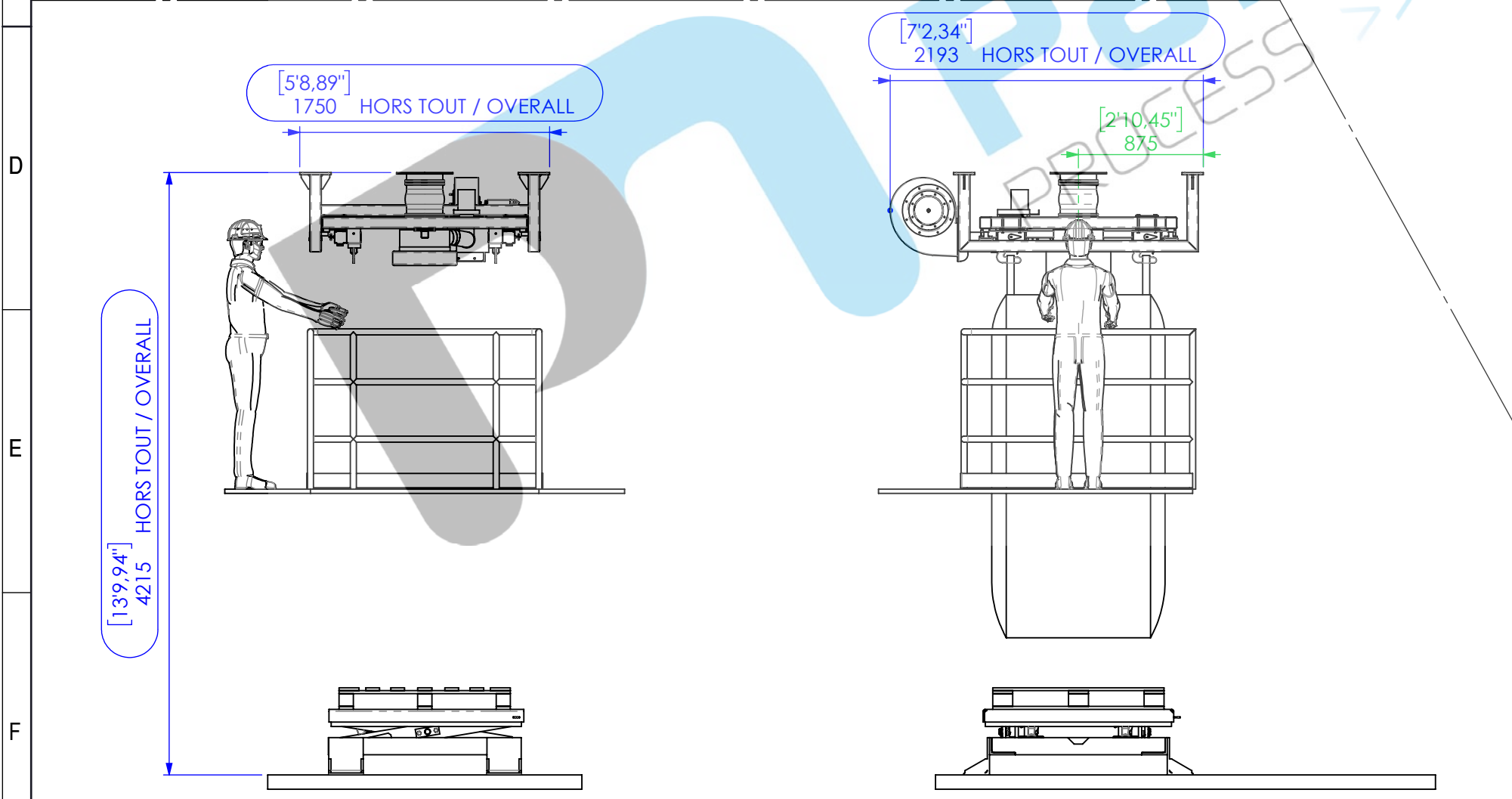
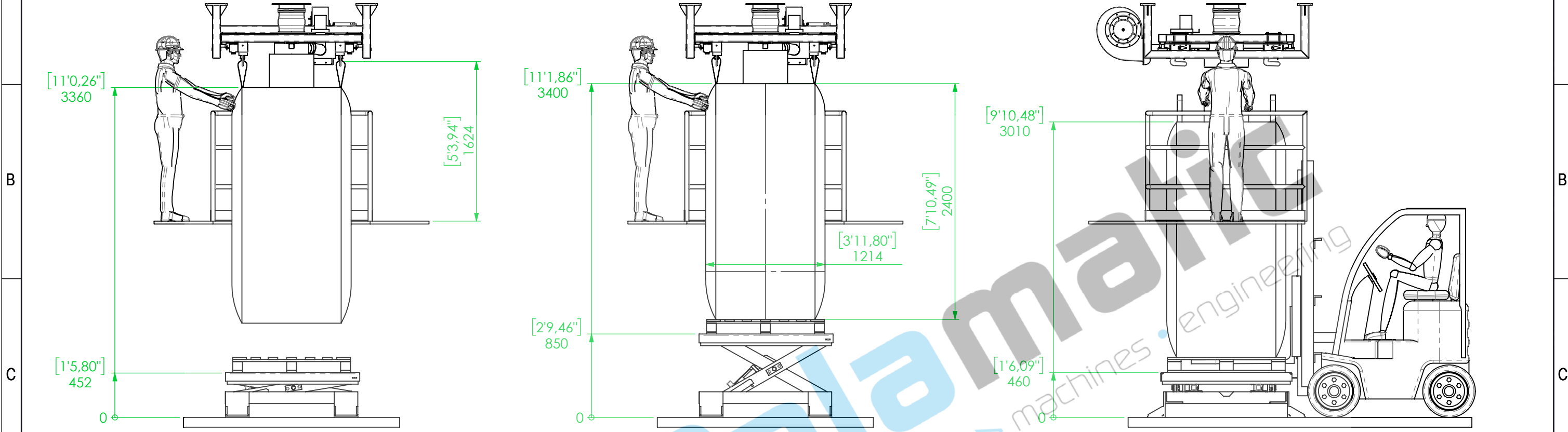
03-04-19 A DIFFUSION CYP
 DATE REV OBSERVATION REVISER / REVISER

Format / Echelle / Scale :
 A3 1:20
 N° Plan / Drawing number :
 REV: A 1/2

REPLISSAGE BIG BAG / BIG BAG FILLING:

DECROCHAGE BIG BAG / BIG BAG RELEASE:

DECHARGEMENT BIG BAG / BIG BAG UNLOADING:



DIMENSION : [inch] mm		PLAN D'INFORMATION / INFORMATION DRAWING	
<p>PALAMATIC N'AYANT PAS EN CHARGE LE GENIE CIVIL, IL EST DE VOTRE RESPONSABILITE DE VOUS ASSURER DE LA RESISTANCE, DE LA STABILITE ET DE LA PLANEITE DE VOS SUPPORT OU SOLS RECEVANTS NOS EQUIPEMENTS, AUX DIFFERENTS EFFORTS ET CONTRAINTES AUQUELS ILS POURAIENT ETRE SOUMIS.</p> <p>CIVIL ENGINEERING WORKS ARE NOT INCLUDED IN PALAMATIC'S SCOPE OF SUPPLY. IT IS THE CLIENT'S RESPONSIBILITY TO ENSURE THE STABILITY, RESISTANCE AND FLATNESS OF THE STRUCTURES AND TERRAIN ON WHICH, PALAMATIC'S EQUIPMENT WILL BE MOUNTED. THESE STRUCTURES AND TERRAIN MUST BE ABLE TO WITHSTAND THE DIFFERENT LOADS AND CONSTRAINTS BROUGHT ON BY THESE EQUIPMENTS</p>		<p>CE PLAN EST LA PROPRIETE DE LA SOCIETE PALAMATIC - IL NE PEUT ETRE COPIE OU UTILISE SANS AUTORISATION</p> <p>THIS DRAWING IS THE PROPERTY OF THE COMPANY PALAMATIC - IT CANNOT BE COPIED OR USED WITHOUT AUTHORIZATION</p>	
<p>Rue de l'Ecotais Z.A. de la Croix Rouge 35530 BRECE</p>		<p>02 90 56 20 61 CYRIL.PICHARD@PALAMATIC.FR</p>	
<p>Designation / Name : REPLISSAGE BIG BAG</p>		<p>Dessiné par / Drawn by : PICHARD</p>	
<p>Date : 03-04-19</p>		<p>Ref. Dossier / Project reference: FLOWMATIC 05 TE</p>	
<p>Rev : A</p>		<p>Format / Echelle / Scale : A3 1:40</p>	
<p>Observation :</p>		<p>N° Plan / Drawing number : A 2 / 2</p>	