




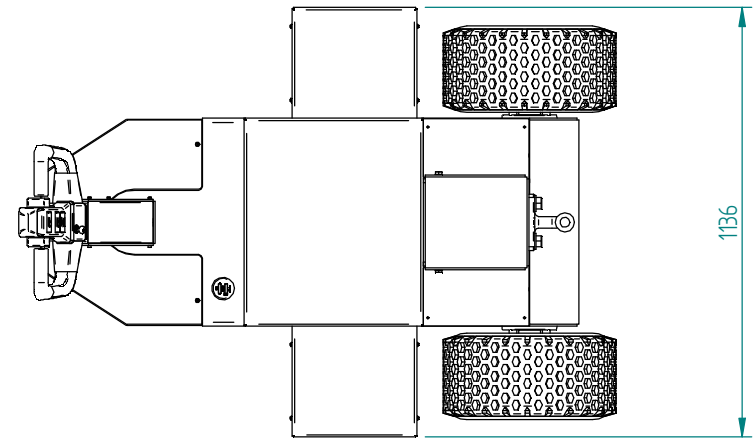
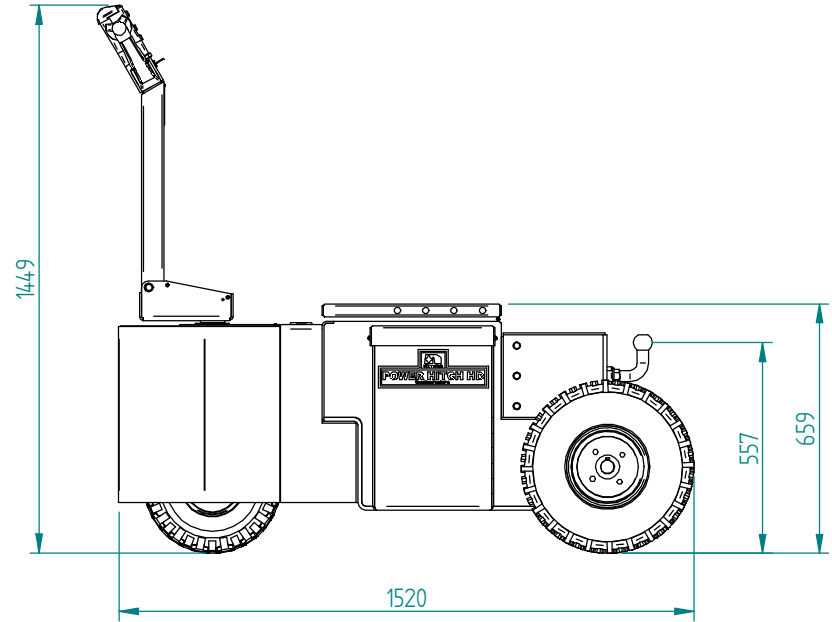
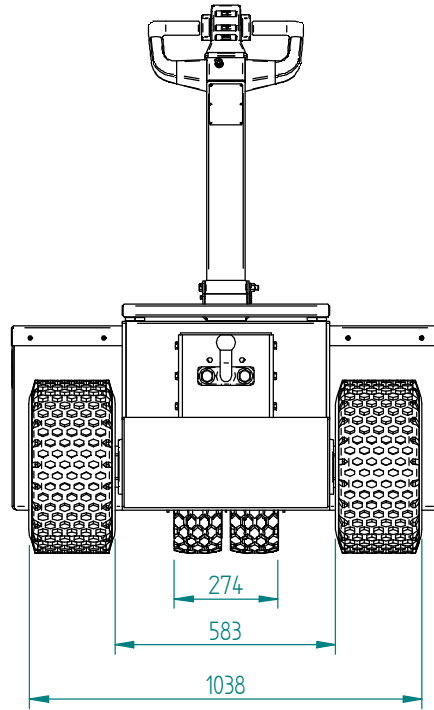
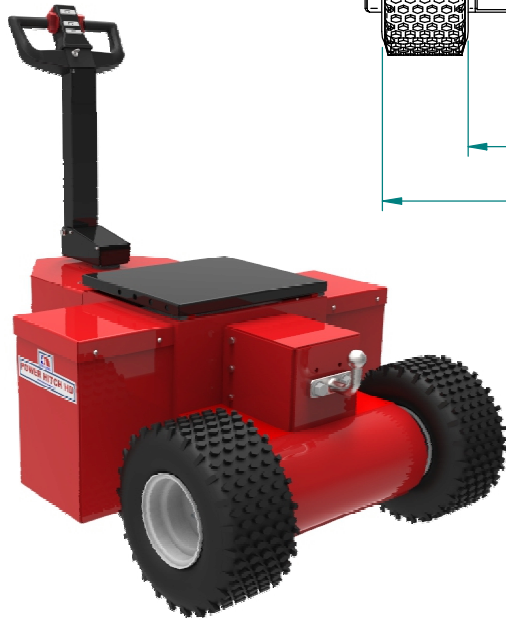
THIS DRAWING IS THE PROPRIETARY PROPERTY OF NU-STAR MATERIAL HANDLING LTD AND MUST NOT BE USED EXCEPT IN CONNECTION WITH OUR WORK NOR IN ANY MANNER DISCLOSED TO ANY THIRD PARTY WITHOUT NU-STAR MATERIAL HANDLING LTD'S WRITTEN CONSENT ALL RIGHTS OF DESIGN AND INVENTION ARE RESERVED.

© Nu-Star Material Handling Ltd 2002-2014

Unless otherwise specified
tolerances are :
.XX +/- .020
.XXX +/- .010
Angles +/- 1 deg

| | |
|----------------|--------------------|
| Finish NA | Date 31/03/2014 |
| Material NA | Scale NA |

| | | |
|---|-------------------|-------------------------------|
|  | Sheet 1 of 2 | Title HD Trailer Mover |
| | Issue number 1 | Project Trailer Mover |
| | Size A4 | Drawing No. HTSA-070214-01 |




THIS DRAWING IS THE PROPRIETARY PROPERTY OF NU-STAR MATERIAL HANDLING LTD AND MUST NOT BE USED EXCEPT IN CONNECTION WITH OUR WORK NOR IN ANY MANNER DISCLOSED TO ANY THIRD PARTY WITHOUT NU-STAR MATERIAL HANDLING LTD'S WRITTEN CONSENT ALL RIGHTS OF DESIGN AND INVENTION ARE RESERVED.

© Nu-Star Material Handling Ltd 2002-2014

Unless otherwise specified
tolerances are :
.XX +/- .020
.XXX +/- .010
Angles +/- 1 deg

| | |
|----------------|--------------------|
| Finish NA | Date 31/03/2014 |
| Material NA | Scale NA |

| | | |
|---|-------------------|-------------------------------|
|  www.nu-starmhl.com | Sheet 2 of 2 | Title HD Trailer Mover |
| | Issue number 1 | Project Trailer Mover |
| | Size A4 | Drawing No. HTSA-070214-01 |