

MPM4503

Pressure Transmitter

Introduction

MPM4503 Pressure Transmitter is a cost-effective product which adopts micro-fused technology pressure sensor and special designed amplifier circuit. With linear correction and temperature compensation, it can effectively resist overpressure, the sensing part is made of stainless steel which can solve the problem of momentary overload pressure and also could meet different needs for pressure measurement and control in various environmental conditions. The product is batch produced in automatic production line and all the specifications are strictly controlled. The whole transmitter experiences a strict testing for sensing element, semi-finished and completed product and aging screening, which makes it more stable and has a good consistency. It could be widely used in the fields like lo VF constant pressure water supply, compressor, T terminal, energy & water treatment system and building automation system, etc.



Features

- Pressure Range: 10 bar, 16 bar, 20 bar, 25 bar, 50 bar optional;
- Micro-fused technology, dry-type structure;
- Water hammer preventing and cracking resistant;
- Compact structure, high cost-effectiveness, wide range of application
- Temperature compensation and linear correction.

Application

- Energy & Water Treatment System
- Building Automation System
- IoT Terminal
- VF constant pressure water supply
- Compressor

Specifications

Pressure range	0bar~10 bar,16 bar, 20 bar , 25 bar, 50 bar
Accuracy	≤±1%FS (within compensated temperature range)
Power supply	3.3V±0.3V DC / 5V±0.2V DC / 10V~28V DC
Output signa	0.5V~2.5V DC / 0.5V~4.5V DC / 4mA~20mA DC / Digital I ² C
Overpressure	2 × FS
Burst pressure	5 × FS (100bar Max.)
Compensated temperature	0 °C ~70 °C
Working temperature	-20 °C ~100 °C
Storage temperature	-40 °C ~100 °C
Insulation resistance	≥100MΩ@250V DC
Protection	IP67
Media compatibility	the media compatible with 17-4PH, SS304 and NBR

Construction Material

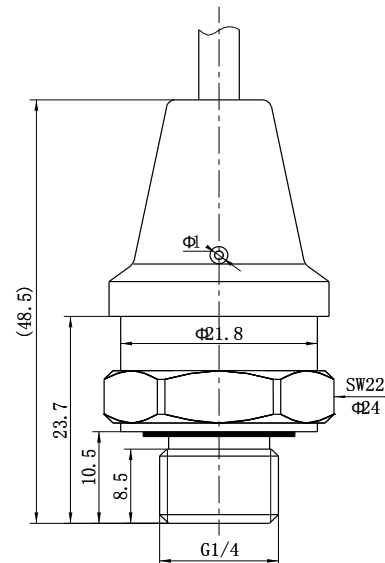
Housing: Stainless steel 304

O-ring: NBR

Pressure sensor: Stainless steel
17-4PH

Cable: Φ5mm Polyethylene
special cable with three cores

Outline Construction (Unit: mm)



Electric Connection

Wire color	I ² C	3-wire	2-wire
Red	Power +(+V)	Power +(+V)	Power + (+V)
Green	SCL	Output +(+OUT)	Null
Black	Common (GND)	Common (GND)	Output +(+OUT)
White	SDA	Null	Null

Order Guide

MPM4503		Pressure Transmitter			
	Range	Measuring Range: 0bar~10 bar,16 bar, 20 bar , 25 bar, 50 bar			
	[0~X]bar	X: Actual measuring range			
		Code	Power		
		V ₁	24V DC (default for the current output)		
		V ₆	5V DC		
		V ₇	3.3V DC		
		Code	Output Signal		
		E	4mA~20mA DC		
		K	0.5V~4.5V DC		
		W	0.5V~2.5V DC		
		C	I ² C(The cable length does not exceed 2 meters)		
		Code	Others		
		B ₂	Cable (default length is 0.5meter, for longer cable or other electrical connection, please indicate in the purchase order)		
		C ₂	G1/4 male		
		C ₁₆	G3/8 male		
MPM4503	[0~X]bar	V ₆	E	B ₂ C ₂	the whole spec.

Notes

1. The relationship of the power supply and the output signal is as followed:

Power Supply	Output Signal
24V DC(V ₁)	4mA~20mA DC(E)
5V DC(V ₆)	0.5V~2.5V DC(W), 0.5V~4.5V DC(K),I ² C(C)
3.3V DC(V ₇)	0.5V~2.5V DC(W),I ² C(C)

2.If the user has special requirement, please feel free to contact our company.