



Technical Data

Specification & Capacities



SPB209CP

S.N: _____



7,6kW/10,4Hp



1,9 – 6 m



990kg



EN 13000

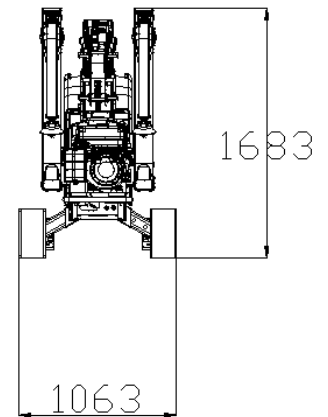
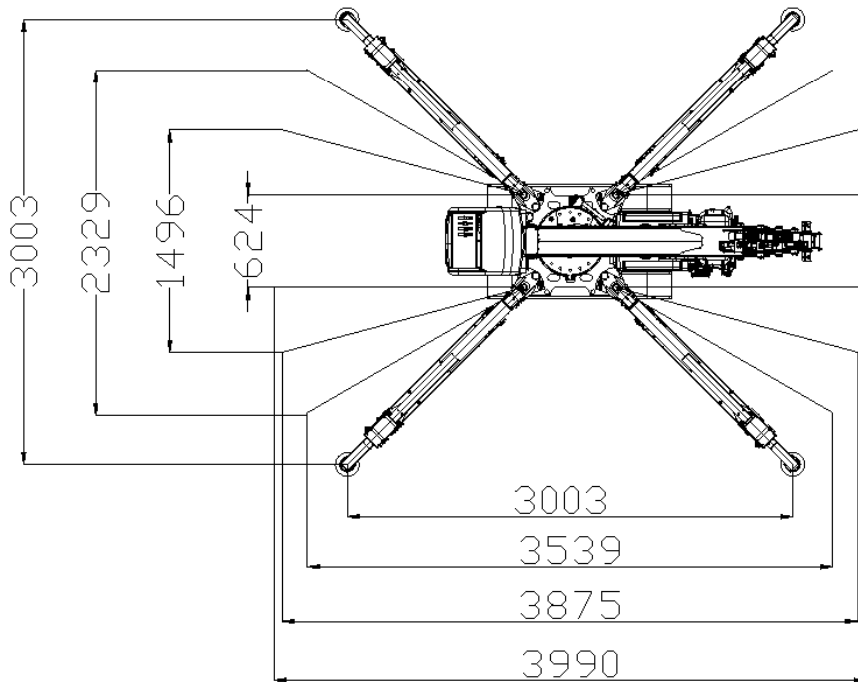
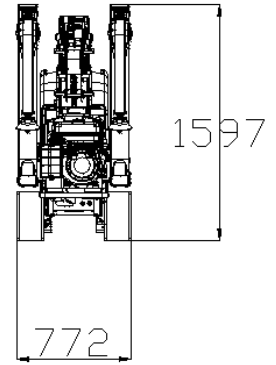
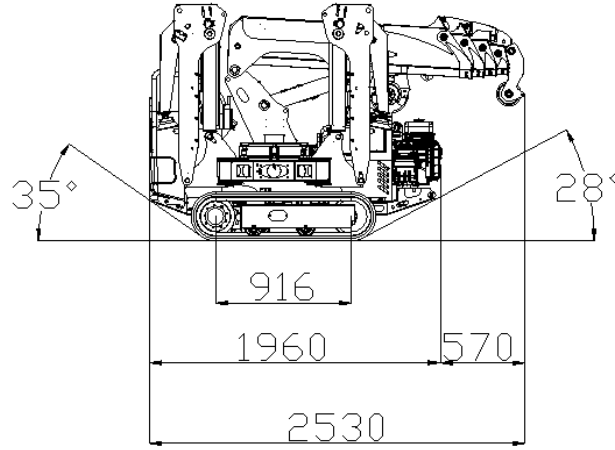
[m] [kg]






Via Campardone, 1
31014 Colle Umberto – Italy
Tel. +39 0438 1710083
Mail: info@jekko.it
Web: www.jekko.it


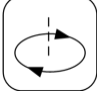

| | |
|------|------------|
| Date | 11/01/2016 |
| REV. | 9 |





SPB209CP - OVERALL DIMENSIONS



| | | |
|---|---|-------------|
| | | kg |
|  |  | 1450 |
| |  | 0 |
| Tot. | | 1450 |

| | | |
|---|--------------------|------|
|  | km/h | 1,7 |
|  | 20° | |
|  | kg/cm ² | 0,40 |
|  | kg | 1050 |

| | | |
|---|--------|---------|
|  | 0°/75° | 24s |
|  | 280° | 1,0 rpm |
|  | m | 1,9-6,1 |
| | | 40s |

| | | | | |
|---|------------------|---|--------------|---|
|  | YAMAHA MZ 360 |  | 7,6kW 10,4Hp | |
| | |  | GASOLINE | |
| | |  | I | 6 |

HOIST PERFORMANCE

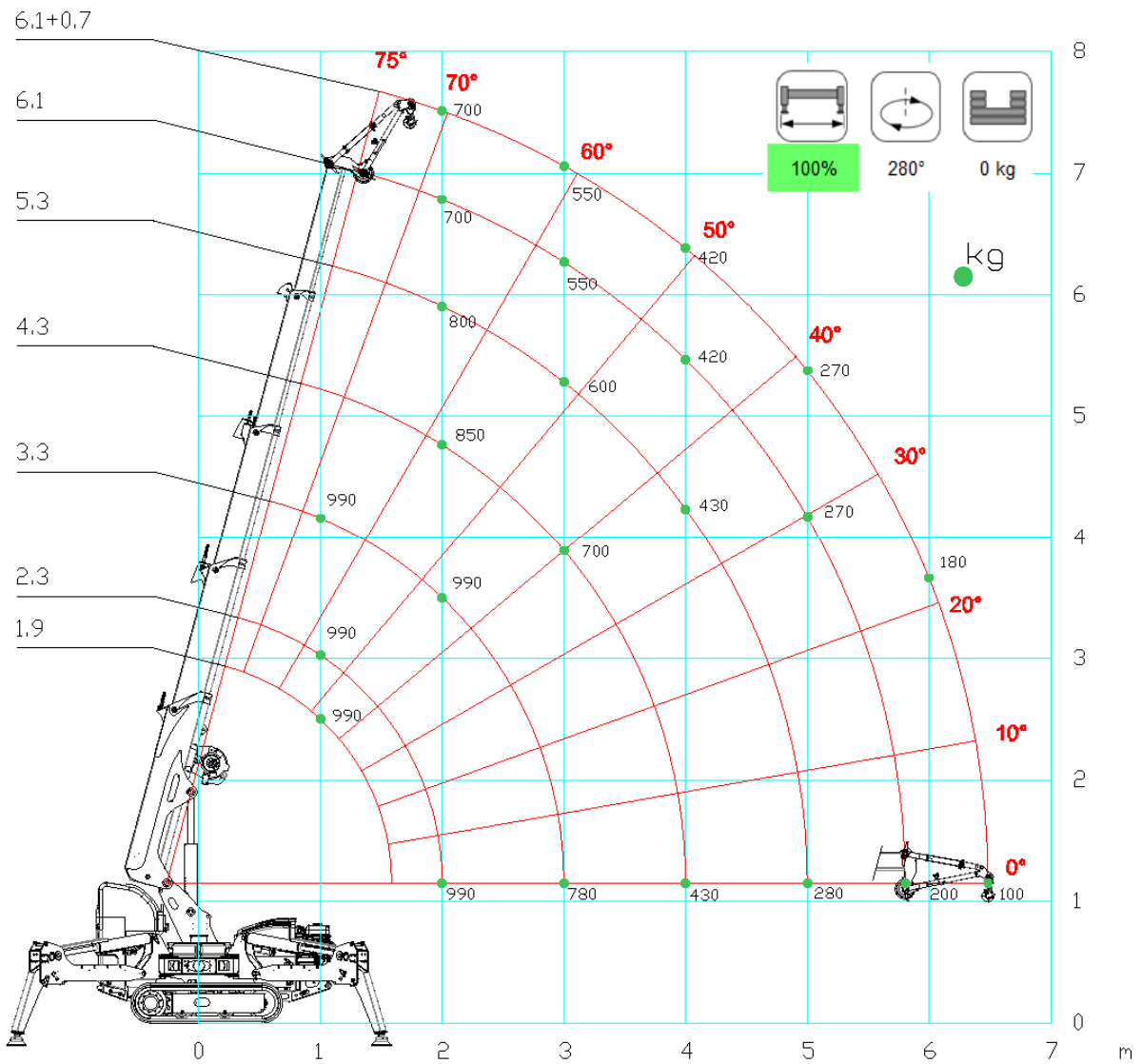
| Layer | Max Line Pull | Normal Line Speed | High Line Speed |
|-------|---------------|-------------------|-----------------|
| | kg | m/min | m/min |
| 1 | 495 | 12.2 | 25.7 |
| 2 | 460 | 13.3 | 28.0 |
| 3 | 425 | 14.0 | 29.5 |
| 4 | 400 | 15.1 | 31.8 |


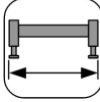
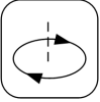
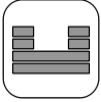
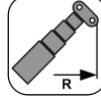
| Wire Rope | Diameter | Tot. Length | Max Load |
|----------------------------|----------|-------------|----------|
| | mm | m | kg |
| A4L 19x7 right lang lay | 6 | 53 | 2.650 |

HOOK BLOCK


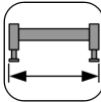
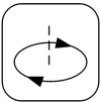

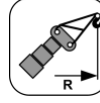
| LOAD | No. of | |
|------|---------|-------|
| | Sheaves | Lines |
| 990 | 1 | 2 |
| 495 | - | 1 |

SPB209CP + JIB800GB



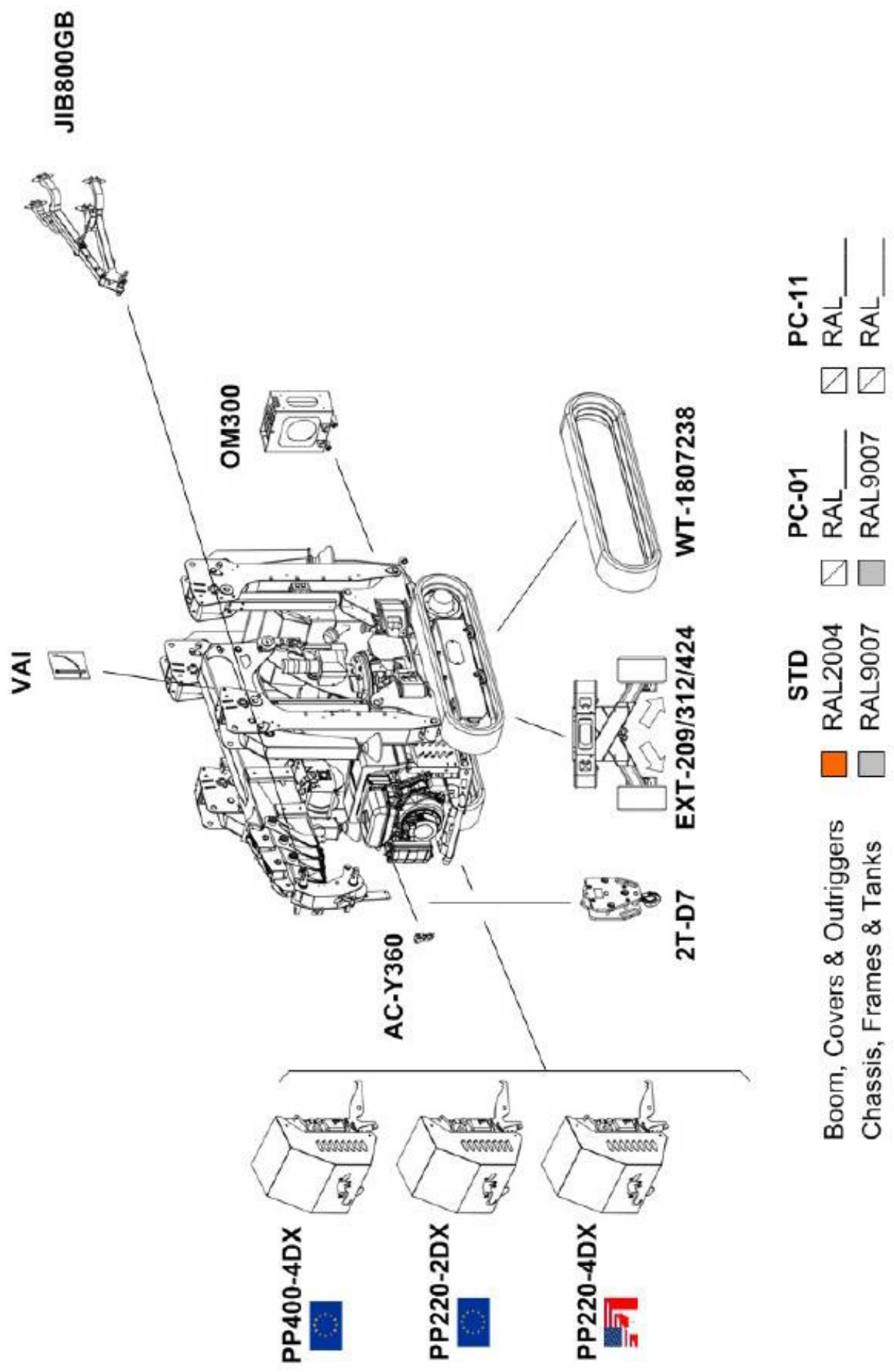
| [m] [kg] |  |  |  |  | EN | |
|---|---|---|---|---|-----|-----|
|  | | 100% | 280° | 0 kg | | |
| | 1,9 | 2,3 | 3,3 | 4,3 | 5,3 | 6,1 |
| 1,0 | 990 | 990 | 990 | | | |
| 2,0 | 990 | 990 | 990 | 850 | 800 | 700 |
| 3,0 | | | 780 | 700 | 600 | 550 |
| 4,0 | | | | 430 | 430 | 420 |
| 5,0 | | | | | 280 | 270 |
| 5,8 | | | | | | 200 |

SPB0209.00.02.000.106.15.A

| [m] [kg] |  |  |  |  | EN | | |
|---|---|---|---|---|-----|-----|-----|
|  | JIB800GB | 100% | 280° | 0 kg | | | |
| | 2,6 | 2,3 | 3,3 | 4,3 | 5,3 | 6,1 | 6,8 |
| 1,0 | 800 | 800 | 800 | | | | |
| 2,0 | | 800 | 800 | 800 | 800 | 700 | 700 |
| 3,0 | | | 780 | 700 | 600 | 550 | 550 |
| 4,0 | | | | 430 | 430 | 420 | 420 |
| 5,0 | | | | | 280 | 270 | 270 |
| 6,0 | | | | | | 200 | 180 |
| 6,5 | | | | | | | 100 |

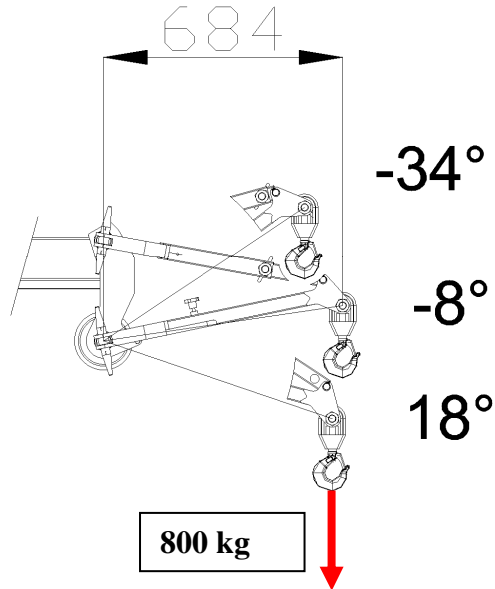
SPB0209.00.02.3112.06.15.A


ACCESSORIES



ACCESSORIES FEATURES

JIB800GB



| | |
|---|----|
| | kg |
|  | 25 |

SYMBOLS

| | | | | | | | |
|--|------------------|--|---------------------------|--|-----------------|--|--------------------------------------|
| | Weight | | Chart Wheels | | Engine | | Jib length and angle |
| | Counterweight | | Minipicker | | Diesel Fuel | | Jib Length |
| | Crane | | Back Wheel Point Loading | | Gasoline Fuel | | Jib Radius |
| | Travel Speed | | Front wheel Point Loading | | Tank | | Hydraulic Jib Length |
| | Gradeability | | Travel Speed | | Battery | | Hydraulic Jib Radius |
| | Outrigger Load | | Gradeability | | Power | | Mechanical Jib Length |
| | Track Loading | | Working Radius | | Boom Angle | | Mechanical Jib Radius |
| | Outriggers Setup | | Hookblock | | Boom Length | | Manipulator Length |
| | Ext Tracks Width | | Slewing | | Boom Radius | | Manipulator Radius |
| | Chart On Tracks | | Slewing Locked | | Jib Hook Radius | | Maximum inclination of the machinery |
| | Jib on board | | Without jib on board | | Standard | | |

Remarks referring to load charts

- The load charts are calculated according to EN 13000.
- For the calculation of the load charts at least a wind speed of 9m/s (33km/h) and regarding the load a sail area of 1m² per ton load and a wind resistance coefficient of 1.2 on the load have been taken into account. For lifting of loads with large sail areas and/or high wind resistance coefficients the maximum wind speed as stated in the load charts has to be reduced.
- Lifting capacities are given in kilograms.
- The weight of the hook blocks and hooks is part of the load and therefore it must be deducted from the lifting capacities.
- Working radii are measured from the slewing centre.
- The lifting capacities given for the telescopic boom apply if the folding jib is removed.
- Subject to modification of lifting capacities.

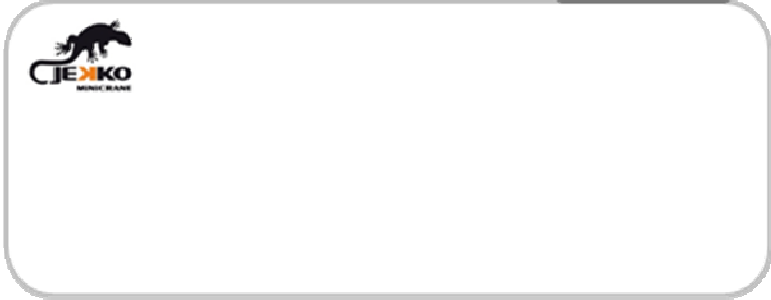
NOTES

NOTES

NOTES



DEALER



JEKKO S.r.l. via Campardone, 1 Z.I. 31014 Colle Umberto (TV)
Italy tel. +39 0438 1710083 fax +39 0438 1710123
www.jekko.it - info@jekko.it