

09.3106

DOLPHIN PAPER TOWEL DISPENSER – BEHIND MIRROR DROPDOWN

- › Recessed flat bottom, behind mirror; drop-down loading, satin finish stainless steel paper towel dispenser. Holds 275 'C' fold or 400 interleave paper towels
- › Usage: Medium Traffic Areas
- › Satin stainless steel finish

SPECIFICATION

Behind mirror installation flat bottom drop down paper towel dispenser: Model number 09.3106 in vertically brushed satin finish stainless steel with lockable drop down mechanism for easy loading. Manufactured by Dolphin Solutions Ltd.

MATERIAL

- › Casing: 0.9mm satin finish stainless steel grade 1.4301 (304)
- › Towel guides 0.9mm galvanised mild steel
- › Approximate unit weight: 4.5kg

WIDTH	293 MM
HEIGHT	395 MM
PROJECTION	112 MM

PRODUCT CODES

- › Behind mirror hinged paper towel dispenser **09.3136**
- › Semi recessed behind mirror paper towel dispenser **09.3126**
- › Bottom loading angled behind mirror paper towel dispenser **09.3107**
- › Bottom loading flat behind mirror paper towel dispenser **09.3116**
- › Bottom loading angled behind mirror paper towel dispenser **09.3117**

CAPACITY

Paper Towels:	'C' Fold	Interleave
Length mm (min-max)	225-240	215-240
Width mm (min-max)	90-100	80-100
Quantity	275	400

OPERATION

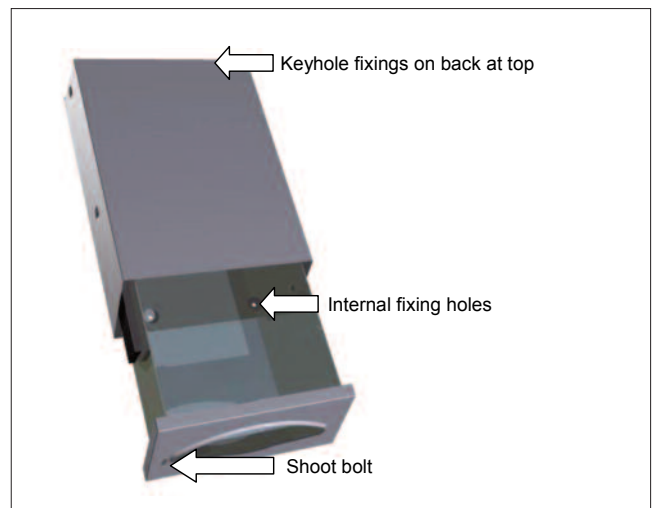
- › Paper towel dispenser holds and dispenses 275 'C' fold or 400 interleave paper towels. Discreet shoot bolt lock secures drop down paper towel mechanism, which opens for refilling. To open drop down paper towel mechanism, pull shoot bolt situated on the left hand side of the aperture face whilst steadying the aperture with your other hand. Carefully lower towel aperture and compartment down. Load towels and then push mechanism up ensuring the shoot bolt re-locates into its tang. A 'click' should be heard.

INSTALLATION

- › See diagram opposite
- › Open drop down paper towel mechanism by pulling shoot bolt situated on the left hand side of the aperture face whilst steadying the aperture with your other hand.
- › Carefully lower towel aperture and compartment down.
- › Position the unit at desired height on wall and mark through holes for screw positions. Drill and plug as required.
- › Hang unit on the keyhole slots.
- › Align units rear fixing holes with drilled holes in wall and fix to wall using 4 off suitable countersunk screws (Fixing holes Ø6mm)
- › Close paper towel mechanism, ensuring the shoot bolt re-locates into its tang. A 'click' should be heard

CARE AND MAINTENANCE

- › Clean with soap and warm water, dry with a clean soft cloth.
- › To maintain finish use any industrial steel cleaner, polishing along the material grain with a clean soft cloth.
- › Dolphin Solutions Ltd recommends "Steel Clean" cleaning agent, obtainable from: Vitopan (Tel: 01 204 863000)
- › Abrasive cleaners, chloride cleaning agents and carbon steel brushes/steel wool will scratch the stainless steel and should not be used.



WARRANTY

This product is covered by a 12-month warranty from the date of purchase to be free from defects if installed and maintained in accordance with these instructions. Dolphin Solutions will replace or repair (as appropriate) free of charge any product with a proven manufacturing defect if reported within the warranty period.

Dolphin Solutions Ltd reserves the right to amend the design or dimensions without formal notice.