

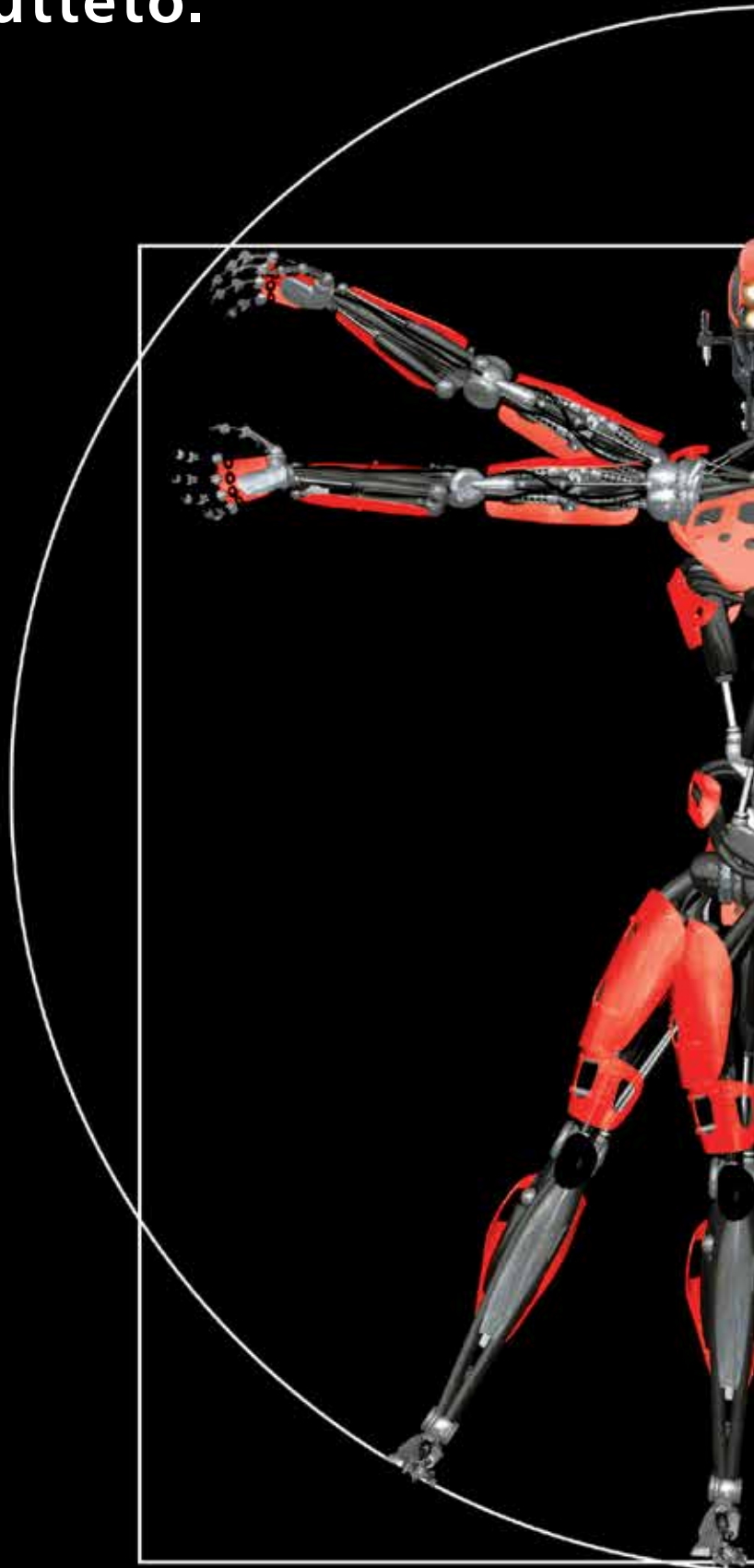
Frutteto CVT

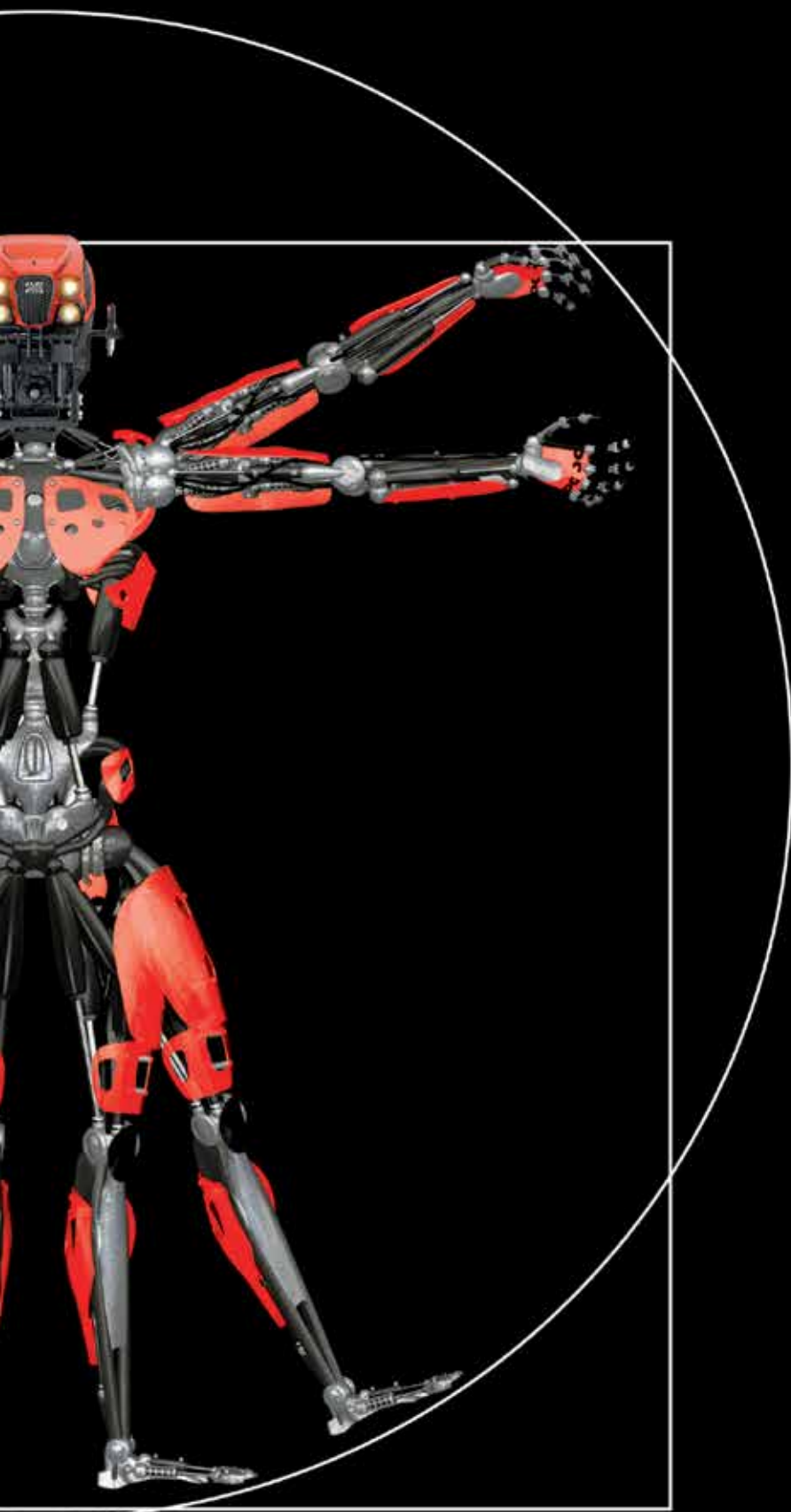


SAME

New SAME Frutteto CVT

The Renaissance of Italian ingenuity starts with your Frutteto.





SAME Frutteto CVT

Revolutionary SAME technology bringing man and machine together.

We are now seeing an unprecedented evolution in specialised tractors. In addition to the innovative technologies for working between rows that are only available on the SAME Frutteto range, our new Frutteto CVT tractors (also available on the S and V versions) now feature further important advances, confirming SAME as the leader in the specialist segment.

Available with a choice of 3- or 4-cylinder variants of the new FARMotion (Stage III B) engines, all versions of SAME Frutteto CVT tractors are equipped with a continuously variable transmission (developed in-house by SAME specifically for use in specialised machines), featuring revolutionary control technology and new, even more comfortable cabs. The standard version of our tractors are already very well-equipped; all versions are further enhanced to feature the ActiveDrive independent front suspension system with active control.





#1 MaxCom multifunction armrest



#2 Cab with flat floor



#3 Roof design



#4 Ergonomic console



#5 Innovative CVT transmission



#6 Next generation axles



#7 Hydraulics and PTO



#8 FARMotion engine



#9 Ultra-compact dimensions



#1

"When the spirit and the hands do not work in unison, there can be no art."

Leonardo da Vinci

New MaxCom multifunction armrest

***Turns your tractor
into an extension of your body.***

Working in orchards and vineyards frequently involves using hydraulic equipment with high hydraulic oil flow demands, which is why it is so crucial that a specialised tractor has a potent and extremely versatile hydraulic system, with an adequate number of practically positioned distributors. It is just as important that the implements attached to the tractor are controllable simply and immediately and, preferably, from the existing controls in the tractor, without having to install supplementary controls in the cab dedicated to the implements used. The new SAME Frutteto CVT tractors answer all of these needs, not only with

the modular configurability of their hydraulic systems, but also with the new MaxCom multifunction armrest, a solution offering unrivalled levels of comfort and ergonomics in a specialised tractor. The MaxCom controller equipping Frutteto CVT tractors is a concentrated package of highly advanced technology derived from premium tractors developed specifically for the smaller interior space of a specialised machine. The result is a multifunction armrest measuring just 20cm in width, which offers the driver access to a comprehensive choice of functions in complete comfort.





Integrated into the driver seat and longitudinally adjustable to suit the stature of the user, this unique solution places all the functions within easy reach of the fingertips, offering access to all functions while seated correctly with the forearm resting on a comfortable, padded cushion. But that's not all: the layout of the controls has been optimised for maximum comfort whether the operator is focusing on tasks with front and lateral implements or working with rear-mounted implements. With front and lateral implements, the operator works facing towards the front of the machine, with the left hand on the steering wheel and the right hand on the main joystick, a device including all the controls for front hydraulic distributors, offering control over the transmission ratios, and with three user programmable function buttons for controlling other systems such as the reverse shuttle or lift. When working with rear implements, the operator turns the upper body to face the



rear of the tractor; leaving the left hand on the steering wheel, but moving the right arm back and resting the elbow in a more comfortable position on the armrest. In this position, the secondary joystick is now the most ergonomic control for the right hand, offering control over the rear distributors and a choice of programmable functions accessible from the multi-purpose ThumbWheel.

The functions relative to the engine, transmission and PTOs and the enable buttons are situated in the centre of the armrest.

The ergonomic "fingertip" levers, arranged in a row, are usable to control supplementary distributors and the front and rear lifts.

For simple, intuitive use, each distributor is assigned to a single control, and all the controls are organised by function in a colour coded layout, meaning that there is no chance of making mistakes.

In the most complete configuration, a total of nine distributors (five rear and four front) are controllable independently from nine controls on the armrest. No other tractor offers you more.

With an extensive choice of configurations and with all functions adjustable directly from the on-board controls, the hydraulic system may be connected to even the most complex implements, translating to significant savings in terms of operating costs, greater simplicity and more professional results with any implement.



#2

*"Perfection is in the details.
And perfection
is no minor detail."*

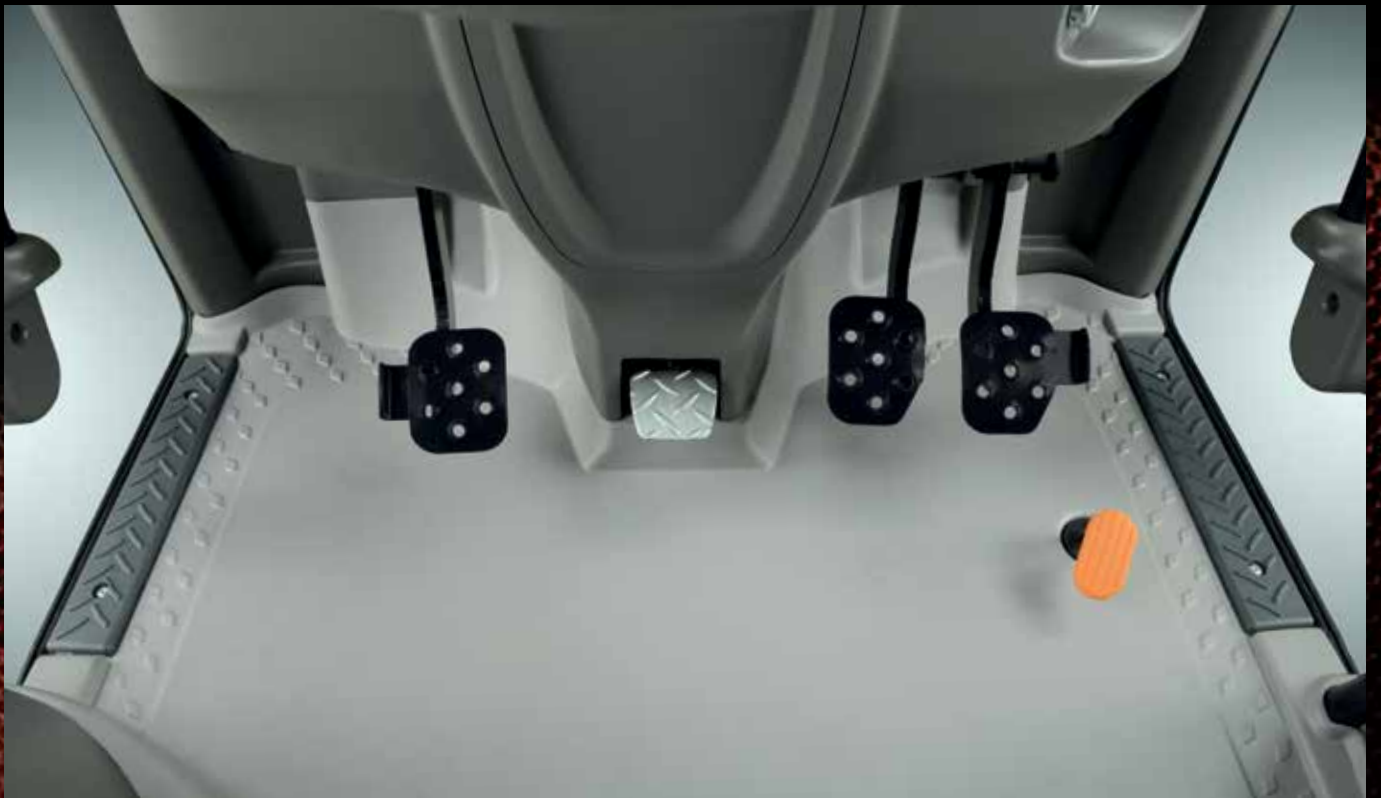
Leonardo da Vinci

Cab with flat floor

Ergonomically designed for the ultimate in comfort

The new cabs on the SAME Frutteto CVT offer the ultimate in comfort, thanks to their state-of-the-art ergonomic design which strikes the perfect balance between spacious interiors and compact features. The edges of the structure are rounded, giving the cab a modern look with soft lines and slender pillars, perfect for guaranteeing optimum visibility while also minimising crop damage when negotiating narrow rows. Created based on a new flat platform architecture with 4 pillars, the cabs on the SAME Frutteto CVT are available in a variety of versions with different widths and wheel arch configurations. Thanks to the compact layout of the CVT transmission, there is

no need for an awkward central tunnel: the result is a fully flat platform with a spacious floor, making it very easy to access the driver's seat; the new design also has more legroom in the footwell, the pedals are arranged more closely together, and the position of the hydraulics and electrics under the platform makes for easy inspection. On request, the cab on the SAME Frutteto CVT is now also available in Category 4, or approved as PPE to ensure safe completion of plant treatment work.



The new hydrostatic silent-blocks represent a major advance in terms of driver comfort; these 4 special hydraulic suspensions, fitted between the cab and the body of the tractor, reduce the level of noise and vibrations – a real plus point which contributes significantly to the exceptional level of comfort obtained.

The all-glass cab structure, with a single-piece windscreen without a central pillar, ensures an unobstructed forward view in all directions, while the extended glazing in the roof enables safe handling of tall front implements which straddle rows.

To meet specific operating requirements, the roof has a lifting panel at the back which improves the visibility of rear-mounted implements and tools working at height, such as loaders used in vineyards and fruit orchards. This feature is unique to all versions of the Frutteto CVT: these are professional machines which offer exclusive solutions.





#3

*"Once you have tasted flight,
you will forever walk the earth with
your eyes turned skyward, for there
you have been, and there you will
always long to return."*

Leonardo da Vinci

Roof design

***Total freedom of movement
in all situations and conditions.***

SAME Frutteto CVT tractors feature a roof with tapered forms and no sharp corners, letting it slip between overhanging branches and vine shoots without snagging onto and damaging them. Housed within the roof is a potent air conditioning system with a high efficiency condenser; the placement of the directional A/C air vents around the cab has been optimised to ensure uniform air flow throughout the interior. For simplified, quick maintenance, the easy-to-remove air filters are contained in a housing at the side of the roof. A special filtration and pressurisation function integrated in the system allows the cab to attain Class 4 homologation (certified in accordance with specific

standards), providing effective protection for the operator against the health risks of working with crop treatment products. The system offers the same degree of protection as the PPE (personal protective equipment) required for working with these products, but without the discomfort and inconvenience of having to wear them for hours on end while working. Four work lights are situated at the front of the new roof. The two outermost of these are directional and may also be used to illuminate the zones to the sides of the tractor. Two additional directional work lights are installed at the rear of the roof. The optional LED pack replaces the standard work lights with high performance units.



The background of the entire page is a dark, textured image featuring Leonardo da Vinci's anatomical sketches of hands. The sketches are rendered in a light, sketchy style, showing the intricate musculature and tendons of the hands and fingers. The overall tone is dark and artistic, with the sketches appearing as if they are part of a larger, more complex drawing or manuscript page.

#4

*"Simplicity
is the supreme essence
of sophistication."*

Leonardo da Vinci

Ergonomic console

***It was no easy task making
everything so simple.***

The driver zone is also all-new. The ergonomics for the steering wheel and seat have been redefined to ensure the ideal driving position, following the same principles adopted for open field tractors: with the steering wheel tilted towards the driver and the seat shifted further back, improving rearward visibility and offering maximum legroom. The steering wheel features both height and rake adjustment - the latter with a practical pedal at the base of the console. The steering column lifts vertically to facilitate entry and exit, while the dashboard is mounted onto the steering column and follows the rake adjustment of the steering wheel so that the instruments are always in the ideal line of sight of the driver.

The digital instrument cluster features two analogue dials for engine and ground speed, and the brightly lit, high resolution

5" screen of the InfoCentre^{Pro} in the centre, an advanced interface displaying the operating status of all the systems and devices on board the tractor and letting the driver monitor and set the functions of the machine in real time. At the sides of the instrument cluster are the buttons for activating the automatic axle suspension, ASM and SDD systems, while the lever controlling the exclusive HPB hydraulic parking brake and a practical phone holder are situated on either side of the steering wheel.

Air-sprung suspension for the seat and a radio-multimedia system are also available as options. In short, everything that is needed for work in complete comfort in an ergonomically correct driver position.



A background image featuring Leonardo da Vinci's mechanical sketches, including various gears, pulleys, and complex machinery, rendered in a dark, monochromatic style.

#5

"Mechanics is the paradise of the mathematical sciences because by means of it one comes to the fruits of mathematics."

Leonardo da Vinci

Innovative CVT transmission

***More than just driving,
it's being in total control at all times.***

The brand new continuously variable transmission equipping SAME Frutteto CVT tractors combines the efficiency of a mechanical system with the comfort and smoothness of a hydrostatic system. The result is an efficient, reliable solution which varies the drive ratio in use continuously to put the power produced by the engine to work as effectively as possible and without wastage, making the operator's job even easier and more productive. The top speed of 40Km/h is attained at an engine speed of just 1650 rpm, while the automatically engaged 4WD system and differential locks ensure unparalleled productivity when working in the field.

Contributing to the superior comfort of the SAME Frutteto CVT family is a transmission that is incredibly easy to use. Not only is there no clutch and no gears, many operations can even be performed without using the throttle or brakes to maintain the correct speed, by simply selecting and attaining the required speed with the throttle. The engine speed and transmission ratio are then matched automatically to ensure maximum efficiency in relation to load.

Alternatively, the cruise function may be used to control the speed of the tractor: simply pressing a button to store a new work speed or recall a previously set work speed.



Cruise-on: the vehicle accelerates to the set speed, even from a standstill.

Cruise-off: the tractor stops and remains stationary (even on a gradient), held in position by the PowerZero function.

What could be easier?

The new CVT transmission also features a groundspeed PTO mode, which is particularly useful for working with a driven axle trailer.

The ergonomic joystick makes controlling the transmission extremely intuitive, with all the main functions operated from fingertip controls. The user programmable function buttons may be used to offer duplicated reverse shuttle control on the

MaxCom joystick. A dedicated dial lets the operator select from a variety of different engine management modes ranging from "Eco", which minimises fuel consumption, to "Power", which maximises tractor performance.

The control unit software features three different operating modes:

1. Manual: with the throttle pedal used to control engine speed and the multifunction joystick used to adjust groundspeed, the tractor behaves essentially like a machine with a mechanical gearbox, but with the smoothness typical of a CVT transmission.



Holding the joystick forward or backwards (when driving in reverse or decelerating) produces continuous acceleration or deceleration, whereas pushing the joystick briefly alters the speed in intervals of 0.1Km/h between 0 and 15Km/h, and in intervals of 1Km/h at higher speeds.

2. PTO: This mode is selected automatically when the PTO is engaged, and maintains a stable PTO speed independently of tractor speed, which the driver can continue to vary as required using the accelerator pedal. This functionality overcomes the major limitation of conventional mechanical transmissions, where, at a

given groundspeed, the available PTO torque is linked inseparably with the torque produced by the engine at that specific engine speed, and no change in available PTO torque is possible without changing gear.

3. Automatic: This is the recommended mode for traction applications in the field and transporting. The tractor accelerates to the preset speed when the accelerator is pressed, after which the electronic control unit maintains this speed by automatically controlling the engine in relation to load.





#6

*"He who walks
straight rarely falls."*

Leonardo da Vinci

Next generation axles

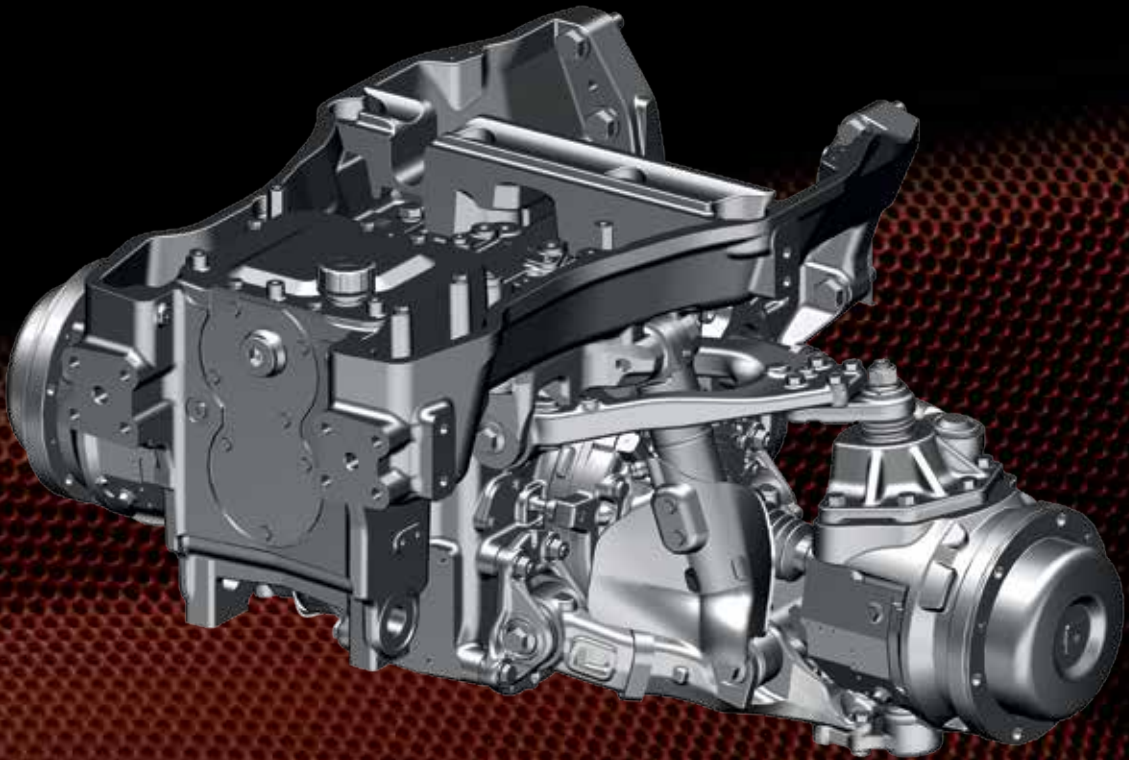
***A revolution in dynamic response
in all terrain conditions.***

All versions of SAME Frutteto CVT tractors are available with a conventional swinging front axle or with the new ActiveDrive hydropneumatic, independent front suspension system with active control. Derived from passenger car applications, this latter solution allows the two front wheels to travel vertically and independently. Thanks to a dedicated electronic control unit which controls specific actuators, it is also possible to separately control the responsiveness of each individual suspension; this results in highly efficient dynamic performance which not only enhances safety and comfort in all conditions, but also guarantees exceptional operating precision in mechanised management of the tree canopy, thereby improving productivity.

The innovative self-levelling system

(which is always active) works to keep the suspension pistons in their middle position by constantly analysing the driving speed, the steering angle and data sent to the control unit from the ram speed and position sensors: the perfect solution when working with equipment with a front overhang such as pruner attachments or trimmers, where the aim is to create a linear result along the rows.

The adaptive suspension management function is controlled with a simple press of a button. This function of the electronic control system adjusts the suspension shock absorbers in real time, setting a softer or harder damping action according to operating conditions. The result is a ride control system that eliminates vibration, making work safer and more comfortable.



The ActiveDrive control software includes anti-dive and anti-roll functions as standard. Specifically, anti-dive increases braking safety by countering sudden front suspension compression and the subsequent shift in load towards the front axle.

This ensures that correct weight distribution over the four wheels is maintained even under hard braking,

reducing stopping distances. Lubricated with transmission oil, the on-board brakes continue to deliver superlative stopping performance even after prolonged use.

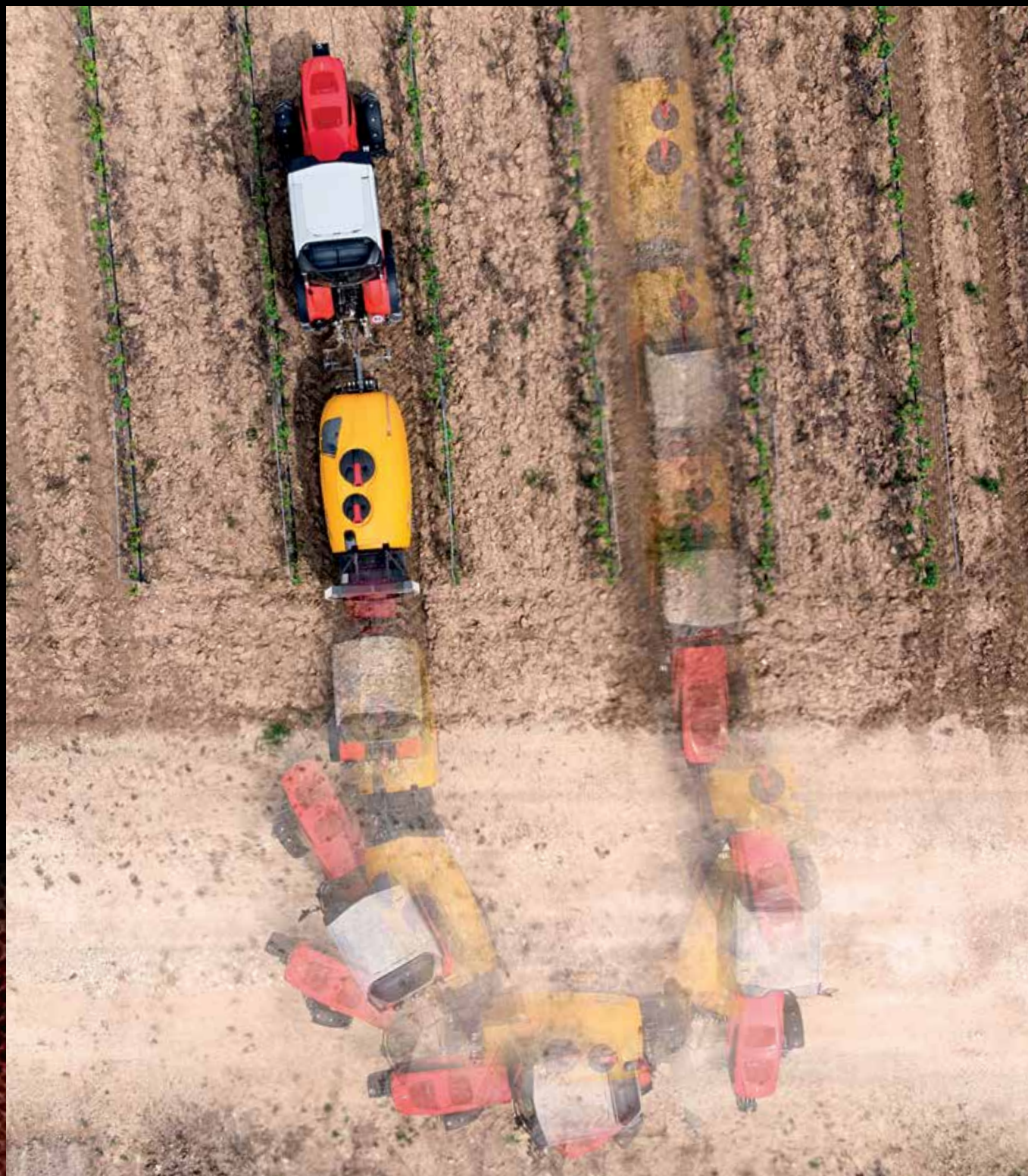
The anti-roll function, on the other hand, automatically adjusts the stiffness of the suspension system in relation to steering angle and ground speed, improving grip and stability both on the road and in the field. In practice, the system stiffens the



suspension of the outer wheel relative to the inner wheel when cornering, limiting roll and improving vehicle body control.

Four wheel drive, selected automatically by the Auto 4WD function, and the electrohydraulically operated 100% lockable front and rear differentials ensure maximum traction in all situations.

The optional disc type rear differential lock may be engaged and disengaged progressively, for better traction and stability. Four wheel braking is standard.



A dark, textured background featuring a faint, light-colored drawing of Leonardo da Vinci's Vitruvian Man. The figure is inscribed within a circle and a square, with various mechanical sketches and lines visible around it.

#7

*"The mental motor
moves the body
with simple gestures."*

Leonardo da Vinci

Hydraulics and PTO

***A new step forward
in how you work..***

In vineyards and fruit orchards, hydraulically controlled equipment is increasingly being used... and requires ever greater power. To address this, SAME offers its Frutteto CVT tractors with a choice of state-of-the-art solutions to optimally cater not only for every possible need of today's farms, but also of those in the near future. Irrespective of the configuration options of the hydraulic equipment, in addition to offering a powerful L.S. pump dedicated to the lifts and the distributors which can deliver a flow rate of 100 L/min with the engine at only 1,850 rpm, the SAME Frutteto CVT still features as standard an additional 42 L/min pump dedicated solely to the power steering, guaranteeing gradual and adaptable steering even at low engine speeds and independent of other hydraulic demands.

To cater for the very diverse needs of

different farms, SAME offers a choice of modular hydraulic systems with extremely advanced technology. Up to five electrohydraulically controlled distributors are available at the rear of the tractor (for a total of ten ways), while another eight may be installed at the front. These may be supplemented by an additional two high flow rate front distributors (one double acting and the other single acting), duplicated by two more rear couplers and two free return lines. In all configurations, the electronic management system lets the operator programme the required oil flow, set timers for individual couplers and define priorities.

The electronically controlled rear lift has a maximum capacity of 3,800 kg (2,600 kg on the S and V versions), while the optional front lift has a maximum capacity of 1,500 kg.



PTO

Confirming the versatility of the SAME Frutteto CVT family, these tractors are equipped as standard with a progressively engaged, electrohydraulically controlled PTO with three different operating modes - with the standard 540rpm mode plus 1000rpm and 540ECO modes. All configurations are equipped as standard

with the Auto PTO function, which automatically engages and disengages the PTO in relation to the position of the implement hitched to the 3-point linkage, while a transmission-synchronised groundspeed mode is available as an option. An interchangeable splined output shaft and a 1000rpm front PTO are also available as options.





#8

*"Motion
is the source
of all life."*

Leonardo da Vinci

FARMotion engine

***The perfect fusion
of power and efficiency.***

Designed specifically for agricultural applications, the state-of-the-art FARMotion engine powering the new SAME Frutteto CVT tractors has been developed to deliver torque and power curves tailored for the needs of this sector. These engines also boast incredibly low operating costs, with specific fuel consumption figures on par with the best competitors in this class. The particularly compact layout of the engine has permitted a sleek, tapered bonnet, for excellent forward visibility.

Available as both three and four cylinder variants - the former for agility and the latter for greater traction - these engines boast advanced electronically controlled Common Rail fuel injection (with injection pressures up to 2000bar), a turbocharger with intercooler, a DOC exhaust aftertreatment system and viscostatic eVisco cooling fan.

As a result of the advanced solutions

implemented, compliance with Stage III B emissions regulations has been achieved with a DOC catalytic converter alone. Class-beating performance: the FARMotion engine equipping the SAME Frutteto CVT 115 produces an impressive 113HP at just 2200rpm. The layout of all engine accessories (radiators, fans, pipes, filters etc.) is designed together with the engine itself for compactness and intelligent space usage, but also to facilitate regular and unscheduled maintenance. At the front of the bonnet area is the new Donaldson PowerCore dual stage engine intake air filter, which may also be equipped with an optional dust ejector.



The radiator pack (coolant, oil and intercooler) is compact and extremely quick and easy to clean, even when out in the field; the radiators are made from aluminium, making them significantly lighter than components made from more conventional materials, such as copper or brass. The diesel tank, with its 95-litre capacity (85-litre on the S and V versions), is large enough to guarantee a long working autonomy.



#9

*"One can have no smaller
or greater mastery
than mastery of oneself."*

Leonardo da Vinci

Ultra-compact dimensions

***Smaller than ever but with the
performance for the biggest job.***

As a result of a number of intelligent solutions, among which the optimised layout of the new transmission, SAME's engineers have created a tractor that is extraordinarily compact and yet comfortable to drive and is agile.





FRUTTETO CVT		90	100	90.4	105	115
With front tyres (ETRTO section)		280/70 R16	280/70 R16	280/70 R16	280/70 R16	280/70 R16
With rear tyres (ETRTO section)		380/70 R24	380/70 R24	380/70 R24	380/70 R24	380/70 R24
Length from front ballast support to the rear lift arm	mm	3718	3718	3848	3848	3848
Overall width (A)	mm	1588	1588	1588	1588	1588
Height at cab (B)	mm	2445	2445	2445	2445	2445
Axle center up to top edge of cab	mm	1870	1870	1870	1870	1870
Ground clearance	mm	247	247	247	247	247
Wheelbase (C)	mm	2044	2044	2174	2174	2174
Total unladen weight	kg	3600	3600	3800	3800	3800
Maximum permissible total weight	kg	5200	5200	5200	5200	5200

FRUTTETO CVT S		90	100	90.4	105	115
With front tyres (ETRTO section)		240/70 R16	240/70 R16	240/70 R16	240/70 R16	240/70 R16
With rear tyres (ETRTO section)		360/70 R24	360/70 R24	360/70 R24	360/70 R24	360/70 R24
Length from front ballast support to the rear lift arm	mm	3738	3738	3868	3868	3868
Overall width (A)	mm	1369	1369	1369	1369	1369
Height at cab (B)	mm	2420	2420	2420	2420	2420
Axle center up to top edge of cab	mm	1870	1870	1870	1870	1870
Ground clearance	mm	233	233	233	233	233
Wheelbase (C)	mm	2086	2086	2216	2216	2216
Total unladen weight	kg	3030	3030	3160	3160	3160
Maximum permissible total weight	kg	4800	4800	4800	4800	4800

FRUTTETO CVT V		90	100	90.4	105	115
With front tyres (ETRTO section)		240/70 R16	240/70 R16	240/70 R16	240/70 R16	240/70 R16
With rear tyres (ETRTO section)		380/70 R20	380/70 R20	380/70 R20	380/70 R20	380/70 R20
Length from front ballast support to the rear lift arm	mm	3735	3735	3865	3865	3865
Overall width (A)	mm	1293	1293	1293	1293	1293
Height at cab (B)	mm	2395	2395	2395	2395	2395
Axle center up to top edge of cab	mm	1870	1870	1870	1870	1870
Ground clearance	mm	241	241	241	241	241
Wheelbase (C)	mm	2086	2086	2216	2216	2216
Total unladen weight	kg	3030	3030	3160	3160	3160
Maximum permissible total weight	kg	4800	4800	4800	4800	4800

SAME Frutteto CVT

Concentration of true technology.

- FARMOTION 3- OR 4-CYLINDER ENGINES
- FOUR-PILLAR CAB WITH A FLAT FLOOR
- VERSIONS SPECIALLY DESIGNED FOR A VARIETY OF TYRE DIAMETERS
- MAXIMUM VISIBILITY TO THE FRONT, SIDES AND REAR
- CAB SUSPENDED ON HYDROSTATIC SILENT-BLOCKS
- FULL-LED WORK LIGHTS PACK
- INFOCENTRE^{PRO} WITH HIGH-RESOLUTION COLOUR DISPLAY
- CABS ALSO AVAILABLE WITH CATEGORY 4 APPROVAL, APPROVED AS PPE FOR MAXIMUM SAFETY IN PLANT PROTECTION WORK
- ROOFS FEATURING LIFTING REAR PANEL FOR OPTIMUM VISIBILITY
- STEERING WHEEL HEIGHT AND ANGLE CAN BE ADJUSTED
- COMFORTIP FUNCTION
- MAXCOM MULTIFUNCTION ARMREST WITH ERGONOMIC DESIGN
- ULTRA-COMPACT EXHAUST GAS TREATMENT SYSTEM
- SDF T3500 CVT (CONTINUOUSLY VARIABLE TRANSMISSION) WITH TWO AUTOMATIC RANGES ("FILED" AND "ROAD")
- MAX. SPEED 40 KM/H AT ECONOMY ENGINE SPEED
- ACTIVE DRIVE HYDROPNEUMATIC FRONT SUSPENSION WITH INDEPENDENT WHEELS
- HYDRAULIC PARKING BRAKE (HPB)
- 4-WHEEL BRAKING
- LOAD-SENSING PUMP RATE OF 100 L/MIN AT ONLY 1850 RPM
- UP TO 9 INDEPENDENT ELECTROHYDRAULIC DISTRIBUTORS (18 HYDRAULIC LINES) WITH DEDICATED ELECTRONIC CONTROLS FOR MANAGING THE FLOW RATE, TIMING AND PRIORITY



Technical specifications

● : STD ○ : OPT

FRUTTETO CVT FRUTTETO CVT S/V		90	100	90.4	105	115
ENGINE						
Manufacturer		SDF	SDF	SDF	SDF	SDF
Model		FARMotion	FARMotion	FARMotion	FARMotion	FARMotion
Emissions		Stage III B	Stage III B	Stage III B	Stage III B	Stage III B
Cylinder/Displacement	n°/cc	3/2887	3/2887	4/3849	4/3849	4/3849
Turbo intercooler		●	●	●	●	●
Max. power (ECE R120)	kW/HP	65/88	71/97	65/88	75/102	83/113
Power at rated engine speed (ECE R120)	kW/HP	61,5/83	67/91	61,8/84	71,5/97	79/107
Max. torque	Nm	354	369	354	408	435
Engine speed at maximum torque	rpm	1600	1600	1600	1600	1600
Electronic engine control		●	●	●	●	●
Fuel tank capacity	litres	95 (85 S/V)	95 (85 S/V)	95 (85 S/V)	95 (85 S/V)	95 (85 S/V)
Fuel tank capacity with front lift + PTO	litres	75 (65 S/V)	75 (65 S/V)	75 (65 S/V)	75 (65 S/V)	75 (65 S/V)

CONTINUOUSLY VARIABLE TRANSMISSION						
Manufacturer		SDF	SDF	SDF	SDF	SDF
Model		T3500 CVT	T3500 CVT	T3500 CVT	T3500 CVT	T3500 CVT
Number of ranges	n°	2	2	2	2	2
Transmission interaxle ratio		1.5922	1.5922	1.5922	1.5922	1.5922
Max. speed	km/h@rpm	40@1650	40@1650	40@1650	40@1650	40@1650
PowerZero		●	●	●	●	●
CruiseSpeed	n°	2+2	2+2	2+2	2+2	2+2
Driving Strategies (Auto/Manual/PTO)		●	●	●	●	●
Eco/Power control		●	●	●	●	●
Hydraulic reverse power shuttle		●	●	●	●	●
SenseClutch with 5 adjustment levels		●	●	●	●	●

AXLES AND BRAKES						
Four wheel drive electrohydraulically engaged		●	●	●	●	●
Electrohydraulically engaged differential lock		●	●	●	●	●
Auto 4WD		○	○	○	○	○
Four-wheel braking system		●	●	●	●	●
HPB (Hydraulic Parking Brake)		●	●	●	●	●
Hydraulic trailer brake		○	○	○	○	○
Hydrostatic steering with independent pump	l/min	42	42	42	42	42
SDD (Steering Double Displacement)		○	○	○	○	○
Axle steering angle	degrees	60	60	60	60	60

REAR PTO						
Electrohydraulically engaged		●	●	●	●	●
PTO 540/540ECO/1000		●	●	●	●	●
PTO 540/540ECO and Ground PTO		○	○	○	○	○

FRUTTETO CVT FRUTTETO CVT S/V		90	100	90.4	105	115
FRONT PTO						
Electrohydraulically engaged		•	•	•	•	•
PTO 1000		○	○	○	○	○

INDEPENDENT FRONT WHEEL SUSPENSION SYSTEM - ACTIVE DRIVE (OPT)						
Adaptive-Damping		•	•	•	•	•
Active Self-Leveling		•	•	•	•	•
Anti-Dive		•	•	•	•	•
Anti-Roll		•	•	•	•	•
DTC (Differential Traction Control)		•	•	•	•	•


HITCH						
Electronically controlled rear lift		•	•	•	•	•
Rear lift capacity (Frutteto S and Frutteto V models)	kg	2600	2600	2600	2600	2600
Rear lift capacity (Frutteto model)	kg	3800	3800	3800	3800	3800
Front lift		○	○	○	○	○
Front lift capacity	kg	1500	1500	1500	1500	1500

HYDRAULIC SYSTEM						
Load Sensing pump (standard)	l/min	100	100	100	100	100
Front-right outlets, free returns included (optional) (max.)	outlets	13	13	13	13	13
Electric sockets	n°	2	2	2	2	2
Electronic proportional Joystick for hydraulic control		•	•	•	•	•
Rear electro-hydraulic distributors (standard)	n°	4	4	4	4	4
Rear electro-hydraulic distributors (optional)	n°	5	5	5	5	5

CAB						
4 pillars cab with rounded design and flat floor		•	•	•	•	•
InfoCentre ^{Pro} (5" High Level Cluster)		•	•	•	•	•
Comfortip (Headland Management)		•	•	•	•	•
Steering column adjustment with pedal switch		•	•	•	•	•
Pneumatic suspension seat		•	•	•	•	•
Multi functional armrest MaxCom with ergonomical layout		•	•	•	•	•
Suspended on Hydro Silent-Block mounts		•	•	•	•	•
Air conditioning		•	•	•	•	•
Slim LED position lights and light indicators		•	•	•	•	•
Halogen work lights		•	•	•	•	•
4 Gen. LED work lights		○	○	○	○	○
Cat. 4 filtration system		○	○	○	○	○



To find out more,
visit same-tractors.com
or talk to your dealer.

SAME is a brand of  SDF

Area dealer

