

# Barriere per bordo ponte

Guardrails for bridge



# steel safety on roadways

Require Marcegaglia Buildtech full range of steel road safety barriers: from the **steel partner**, steel safety on roadways.

Marcegaglia Buildtech safety barriers solutions are part of Marcegaglia steel production chain and are engineered, assembled then **tested** in order to comply with specific **norm requirements**.

## Certificazioni

*Certifications - Zertifizierungen - Certifications - Certificaciones*

- **RINA ISO 9001:2008** certificato N. 12370/05/S
- **IQNet - CISQ/RINA** Quality Management System **ISO 9001:2008** Registration N. IT-42009
- **Certificati CE** di costanza della prestazione

## Crash tests

*Crash tests - Crash-Tests - Essais de chocs - Crash tests*



## Classe H2 Bordo Ponte - Barriera PAB CE 2 onde per manufatto W5 con corrimano

Class H2 Bridge side - 2-waves PAB CE guardrail for bridge W5 with handrail

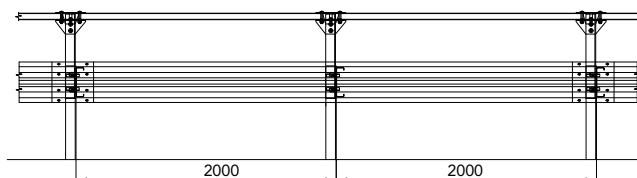
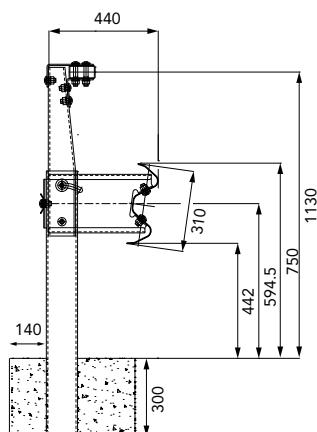
Aufhaltestufe H2 für Kunstbauten - 2-welliges PAB CE Rückhaltesystem W5 mit Handgeländer

Classe H2 Bord pont - Glissière PAB CE 2 crosses simple pour pont W5 avec rambarde

Clase H2 Borde de puente - Barrera PAB CE de doble onda simple para base puente W5 con pasamanos

# H2-W5

## PAB CE 2-waves



### Caratteristiche Characteristics, Eigenschaften, Caractéristiques, Características

<b>Altezza fuori terra</b> <i>Height above ground level, Höhe über Grundboden, Hauteur hors sol, Altura sobre el suelo</i>	1130 mm
<b>Profondità d'infissione</b> <i>Depth of penetration, Rammtiefe, Profondeur de piling du poteau, Longitud hincada</i>	300 mm
<b>Ingombro trasversale</b> <i>Overall width, Gesamtbreite, Grosseur hors tout, Anchura total</i>	440 mm
<b>Interasse pali</b> <i>Post spacing, Steherabstand, Distance entre poteaux, Distancia entre postes</i>	2000 mm

### Rapporti di prova Crash test reports, Testberichte, Comptes rendus d'essais, Relaciones de pruebas

Test n.	Facility	Test	Type	Barrier length m	Mass kg	Speed km/h	ASI max 1.4	THIV max 33 km/h	D m	Vi m	W m
PAB/BPM004/1238	LIER	TB51	Laterale 20°	84	13.000	70	-	-	1,1	1,9	1,4=W5
PAB/BPM002/1236	LIER	TB11	Laterale 20°	84	900	100	1,1= B	27	0,3	-	0,7=W2

Sales office:

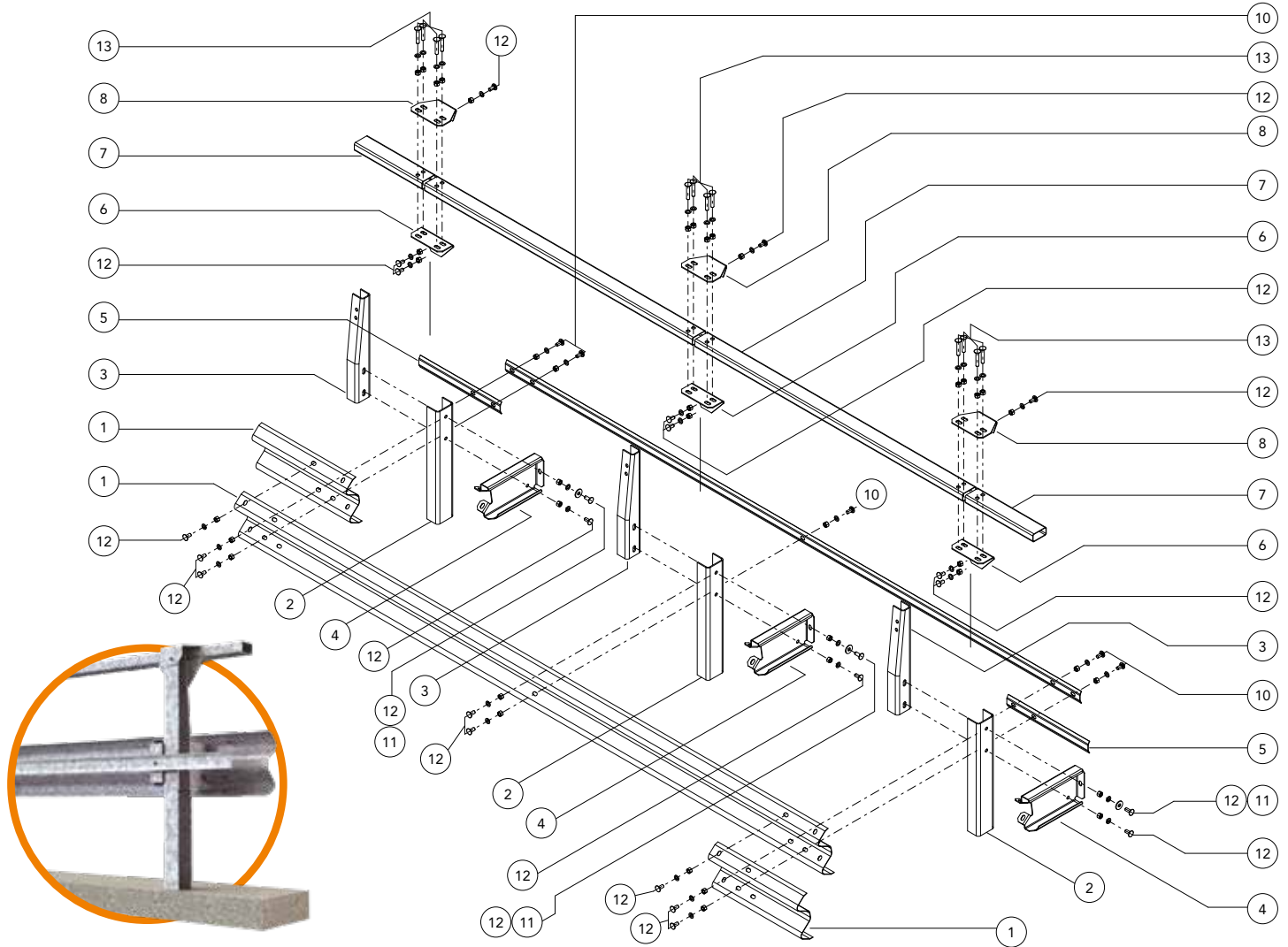
**MARCEGAGLIA BUILDTECH guardrail division**  
 strada Roveri, 4  
 15068 Pozzolo Formigaro, Alessandria - Italy  
 phone +39 . 0143 77 61 • fax +39 . 0143 77 63 53

guardrail@marcegaglia.com  
 www.marcegagliabuildtech.it

Plants:

**MARCEGAGLIA BUILDTECH Pozzolo Formigaro**  
 strada Roveri, 4  
 15068 Pozzolo Formigaro, Alessandria - Italy  
 phone +39 . 0143 77 61 • fax +39 . 0143 77 63 53

studiochiesa - june 2019



**Componenti Components, Bauteile, Composants, Elementos**

	Descrizione Description		Materiale Material
11	<b>Rosetta</b> Washer, Unterlegscheibe, Rondelle, Arandela	18x48 mm	Acc. Zinc.
13	<b>Bullone completo</b> Bolt with nut and washer, Schraube komplett, Boulon complet, Tornillo completo con tuerca y arandela	M16x85 mm	Classe 8.8
12		M16x35 mm	Classe 8.8
10		M16x40 mm	Classe 8.8
8	<b>Attacco esterno tubo superiore</b> External joint of upper tube, äussere verbindungsplatte oberes handlaufrohr, attache extérieure du tube supérieur, ataque externo del tubo superior		S 275 JR
7	<b>Tubo superiore</b> Upper tube, oberes handlaufrohr, tube supérieur, tubo superior	100x50x3 mm	S 275 JR
6	<b>Attacco interno tubo superiore</b> Internal joint of upper tube, Innere verbindungsplatte oberes handlaufrohr, Attache intérieure du tube supérieur, Ataque interno del tubo superior		S 275 JR
5	<b>Piatto di collegamento</b> Connection plate, Anschlussplatte, Plaque de connexion, Platina de unión	80x4250x3 mm	S 420 MC
4	<b>Distanziatore</b> Spacer, Abstandhalter, Entretoise, Separador	355x480x4 mm	S 275 JR
3	<b>Paletto superiore</b> Upper pole, oberer steher, piquet supérieure, pestillo superior		S 275 JR
2	<b>Palo "U"</b> U-post, U-Steher, Poteau en U, Poste "U"	120x80 Th=6 H=1020 mm	S 275 JR
1	<b>Fascia 2 onde</b> 2-waves beam, 2-wellige Leitschiene, Glissière 2 crosses, Banda doble onda	486x4320 Th=3 mm	S 420 MC



201/2131/CPR/2013\_REV.1 (PAB)

720/2131/CPR/2018 (MARCEGAGLIA)