



## Wand - PR Series

### External lighting



Architecturally designed “Wand” light, ideal for plazas, pedestrian areas, etc.

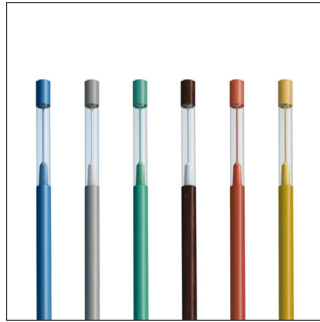
**Construction:** Aluminium and transparent Polycarbonate lens. Available in 3.5-5m height (4m as standard).  
Optical unit - IP65, IK10.  
Electrical unit - IP54, IK10.  
Flanged as standard.

**LED:** Available in 21w, 30w, 40w or 47w, with 16 LEDs. Symmetric. 4500K as standard, 3500K on request.

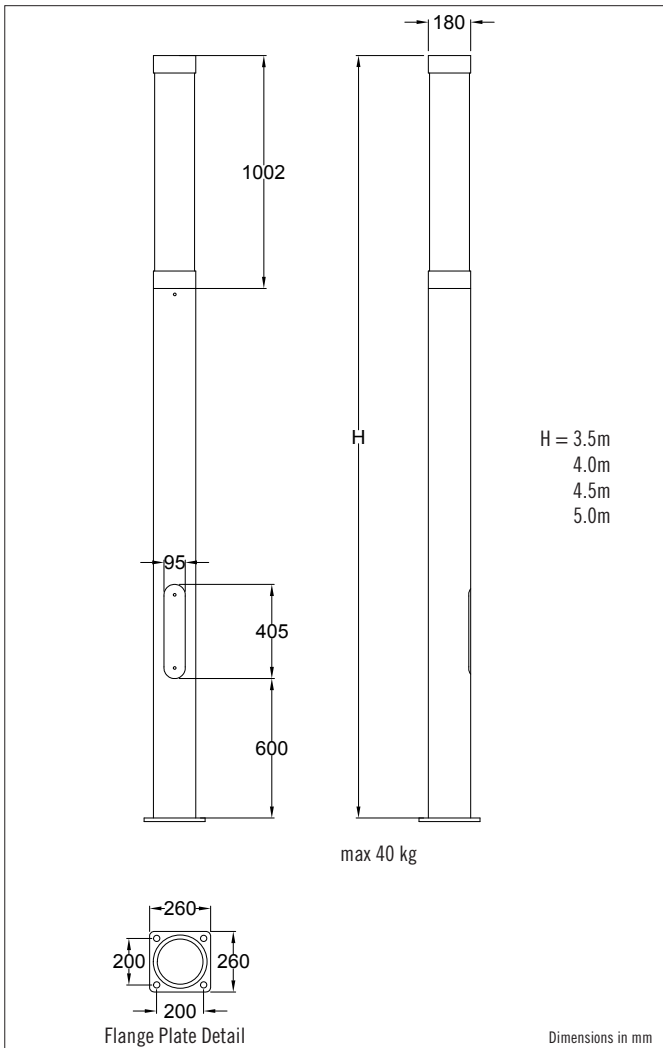
**Finish:** Grey RAL 9006 as standard.  
Other colours available on request. Also available with wooden effect finish.

**Options:** Height to 5m max. (ie. Base of 2.5m, 3m, 3.5m or 4m and 1m Lens), RAL finish, Street Optic, Constant flux, Presence detection, DALI, 1-10v dimming.

**Product Compliance:** EN 60598; CE.

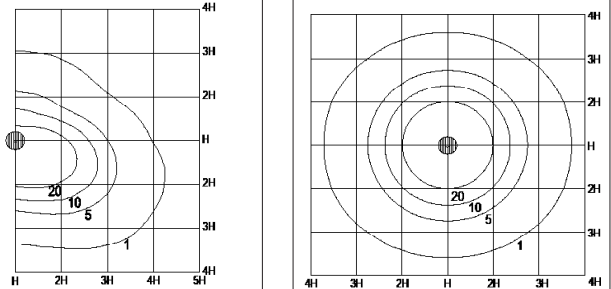


## DIMENSIONS



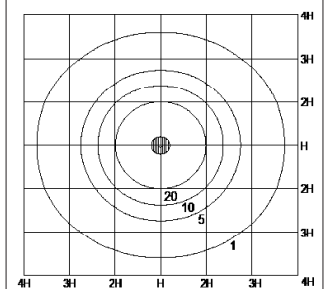
## APPLICATION GUIDE

Wand - PR Series  
40w LED 4500K, Asymmetric  
4m Height  
Contours in Lux  
M. Factor = 0.90



## APPLICATION GUIDE

Wand - PR Series  
40w LED 4500K, Symmetric  
4m Height  
Contours in Lux  
M. Factor = 0.90



## ORDERING CODE

Wattage	Type	Code	Details	Lumens
21w	LED	5WNP00020	4m PR Series, 350mA Driver, Flanged	2200 lm
30w	LED	5WNP00030	4m PR Series, 500mA Driver, Flanged	2900 lm
40w	LED	5WNP00040	4m PR Series, 700mA Driver, Flanged	3850 lm
47w	LED	5WNP00050	4m PR Series, 800mA Driver, Flanged	4150 lm

## OPTIONS

DL:	Diffuse Lens
RAL:	Pls specify
Height:	Pls Specify Height of Base
3.5K :	3500K