

ALLTEC
antriebstechnik



PFAFF
silberblau

PHOENIX
Telescopic Lifting Column

PHOENIX

Single-step version

The „PHOENIX“ telescopic lifting column is a compact lifting system with integrated guiding arrangements made of high-quality, anodized precision aluminium profiles, worm gear screw jacks from the MERKUR range and a directly mounted motor. They can be used independently or as a complete lifting system. Synchronization can be effected electric or via a mechanical connection by means of articulated shafts.

Operational features of our „PHOENIX“ Telescopic Lifting Column

- Bears heavy compression and tensile loads
- Enclosed, low-maintenance design
- Flexible modular system
- Off-center load pick-up is admissible
- Self-locking mechanism in the TGT trapezoidal version
- Fast lifting speed in the version with the two-start trapezoid screw (TGT) or ball screw (KGT)
- Maximum duty ratio 20%/h or 15%/10min
- Maximum ambient temperature 40° C
- Short delivery times

Technical data

Type	Fmax. lift (with centered load)	v	Lift	Mounting dimension L	Motor	Spindle
PH56	25000 N	6 mm/s	200 mm	Lift+350 mm	1,1 kW / 400V	TGT
	15000 N	12 mm/s	400 mm		1,1 kW / 400V (with brake)	
	10000 N	24 mm/s	600 mm		1,1 kW / 400V	KGT
		20 mm/s	800 mm		1,1 kW / 400V (with brake)	
PH45	5000 N	37,5 mm/s	1000 mm	Lift+300 mm	0,55 kW / 400V	TGT
	10000 N	9 mm/s			0,75 kW / 400V	
PH34	5000 N	7,5 mm/s	200 mm	Lift+260 mm	0,25 kW / 400V	TGT
		15 mm/s	400 mm		0,37 kW / 400V (with brake)	
		5 mm/s	600 mm		0,20 kW / 24V (with brake)	

Basic features

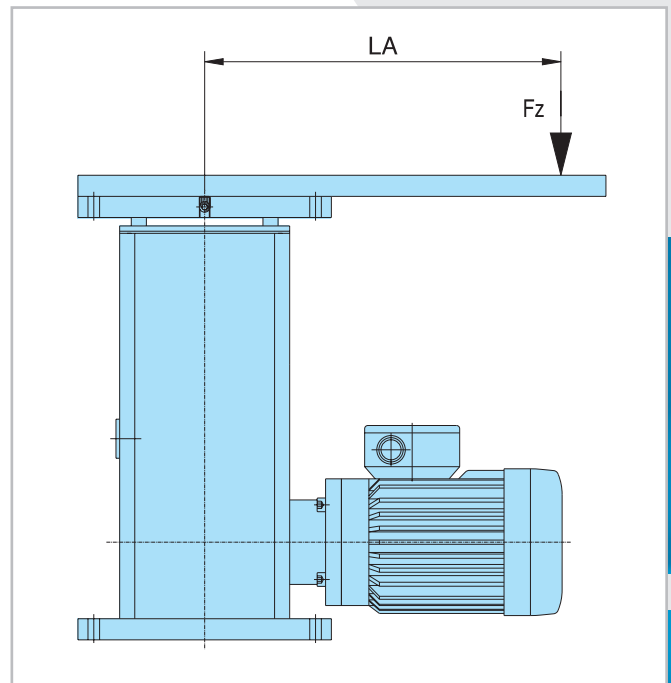
- Short safety nut for trapezoid screw (TGT)
- Conformity with German VBG 8 regulations
- IP 55 type of protection
- Inductive limit switch for setting the upper and lower end positions

Available as options on request

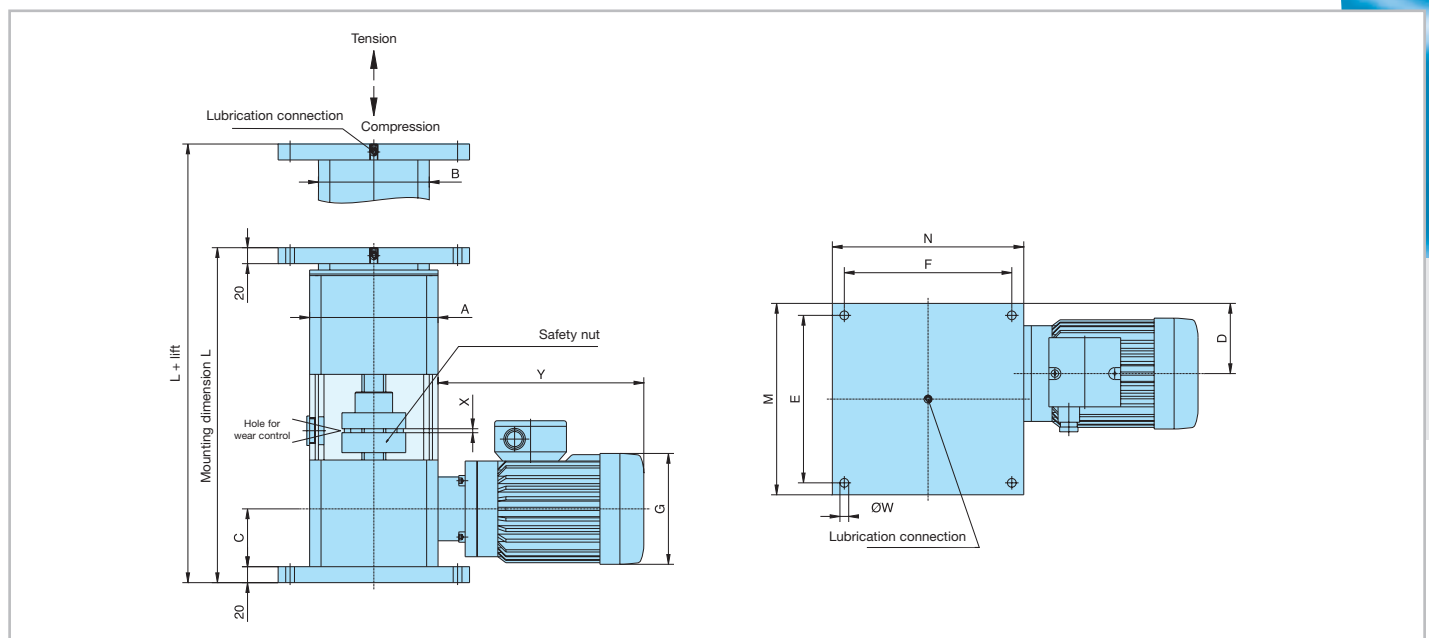
- Version with safety nut for ball screw (KGT)
- Controll system (see our catalog „Actuator Technics“, chapter „Accessories“)
- Version with encoder
- Servomotor with programmable control system

Permissible off-center load

Type	Max. permissible load (Fz) for distance LA (mm)					
	50	100	200	300	400	500
PH56	25 kN	21 kN	10,5 kN	7 kN	5,25 kN	4,2 kN
PH45	10 kN	10 kN	8,4 kN	5,6 kN	4,2 kN	-
PH34	5 kN	5 kN	5 kN	4,2 kN	-	-



Dimensions



Type	A	B	D	N	M	F	E	W	Y	G	C	X	Lubrication connection 2x	Y-brake
PH56	183x183	161x161	75	240	240	210	210	11	300	160	90	5	M10x1	362
PH45	161x161	139x139	88	240	240	210	210	11	260	140	72,5	5	M10x1	317
PH34	139x139	117x117	75	200	200	170	170	11	220	125	56	5	M10x1	269
PH34*	139x139	117x117	75	200	200	170	170	11	-	80	56	5	M10x1	405

* with 24 V motor



**Lifting & Material
Handling Equipment**



Actuator Technics



Stage Technology



PFAFF
silberblau
verkehrstechnik



PFAFF
silberblau
fördertechnik
www.pfaff-foerdertechnik.de



ALLTEC
antriebstechnik
www.alltec.de

ALLTEC
Antriebstechnik GmbH
Ochsenbrunnenstraße 10
D-74078 Heilbronn
GERMANY
Phone +49 (71 31) 28 71-0
Fax +49 (71 31) 28 71-11



Reg. No. 062 007-01

Pfaff-silberblau
Hebezeugfabrik GmbH & Co.
Äußere Industriestraße 18
D-86316 Friedberg/Derching
GERMANY
Phone +49 (8 21) 78 01-0
Fax +49 (8 21) 78 01-299



Reg. No. 054 006 01