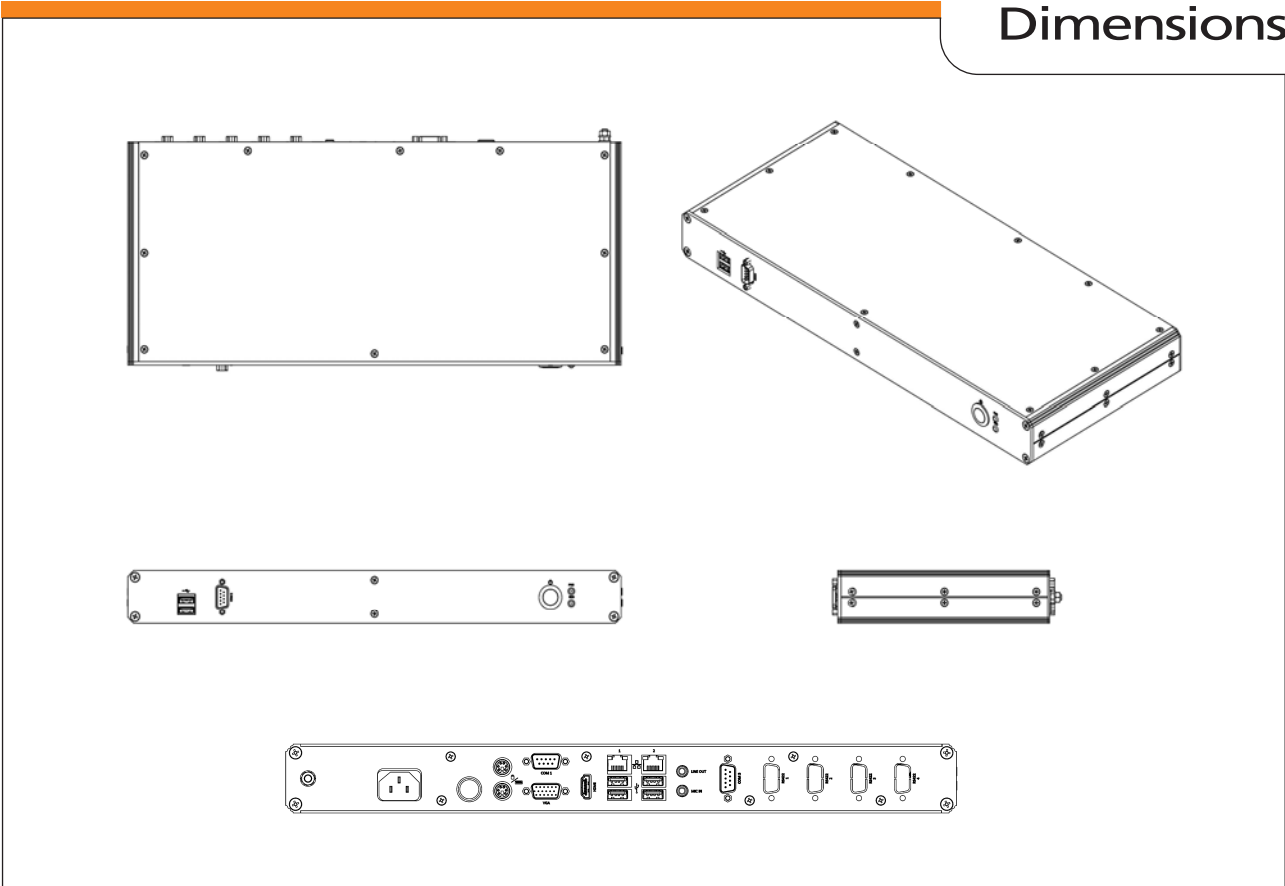


Impact-R 1103F



- 3 year warranty
- Heavy duty aluminium construction
- 0 to 60°C temperature range
- Roadmapped industrial motherboard
- High quality 32GB SATA SSD

Dimensions



Impact-R 1103F

Specifications

The information is believed to be accurate. However Amplicon Liveline Limited accepts no responsibility for any problems caused by errors and omissions. Specifications are subject to change without notice.

| | | | |
|------------------------|--|-------------------------------------|--|
| Hardware specification | Intel® Atom™ Dual-Core D2550/ 1.86GHz processor Intel® NM10 Express chipset Dual 204-pins DDR3 SO-DIMMs 2GB SDRAM memory Support VGA/ HDMI, VGA/ LVDS or HDMI/ LVDS dual displays 6x USB, 3x COM, 2x GbE, 2x SATA, 1x LPT, 1x PCI Audio Mic-in/ Line- out, (internal Line-in) 2x Mini-PCIe (1x full/ SIM tray, 1x half-size) | Electromagnetic compatibility (EMC) | BS EN 61000-6-4:2007 BS EN 61000-6-2:2005 |
| BIOS | AMI BIOS 16M bits SPI ROM | | |
| Storage | 2.5" 32GB SSD | | |
| System expansion | 2 x Mini-PCIe (1x full-size/ SIM tray and 1x half-size slots) | | |
| System architecture | Industrial Mini-ITX form factor motherboard | | |
| Supported OS | Windows 7 32bit, Ubuntu 12.04 LTS If your desired operating system is not listed or you wish to check support for a specific version of Linux, please contact us. | | |
| I/O interfaces | Front I/O: Serial port: COM2 (RS232) USB : 2 x USB 2.0 Rear I/O: Serial port: COM1 & COM3 (RS232) USB : 4 x USB 2.0 LAN : Dual RJ45 GbE PS/2 : Dual stack PS/2 (keyboard & mouse) Display : VGA (DB15) & HDMI Audio : MIC In & Line Out (3.5mm) | | |
| Display | Intel® Atom™ processor D2550 integrated 3D graphics engine SGX545, Analog VGA interface: 1 x VGA by DB15 connector Resolution up to 1920x1200 75Hz HDMI interface: 1 x HDMI connector Resolution up to 1920x1200 | | |
| Audio | Realtek ALC886-GR High Definition codec 1 x Mic-in/ 1 x Line-out by audio jack on edge I/O and 1x Line-in by internal 4-pins | | |
| On-board LAN | 2 x Realtek 8111E PCI Express Gigabit Ethernet Support Boot From LAN (PXE) | | |
| Mechanical | Design: 19" Rackmount Standard Construction: Heavy duty aluminium Front panel / mounting ears black anodised Body raw clean finish Dimensions: 429.6 x 44 x 184.5 mm Gross weight: approximately 3.8kg | | |
| Environment | Operating temperatures: 0°C to 60°C Storage temperature: -20°C to 85°C Relative humidity: Operating 10% to 90%, non-condensing | | |
| Environment | Watchdog timeout can be programmable by Software from 1 second to 255 seconds and from 1 minute to 255 minutes (Tolerance 15% under room temperature 25°C) | | |
| System Monitor | Monitoring of 4 voltages and 2 temperatures 4 Voltage (Vcore, +12V, +3.3V, 5V) 2 Temperatures (CPU, System) 2 Fans Speed detection | | |
| On-board RTC | On-chip RTC with battery backup 1 x External Li-Ion battery/ CR2032 | | |
| Power Input | 100 - 240 VAC, 1.5A, 50 - 60Hz | | |
| Warranty | 3 years | | |

Sales: +44 (0) 1273 570 220 Admin: +44 (0) 1273 608 331 Fax: +44 (0) 1273 570 215 Website: www.amplicon.com Email: sales@amplicon.com