

MPK20

max 2 T

2660 x 950 x 1950 mm

max 5.8 m

max 2.8 m

The essential partner for industrial maintenance and glass handling.
Reliable, safe and easy to use: a small crane with great potential.



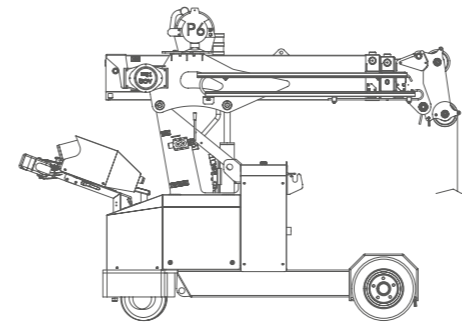
Technical Information

Dimension	LxWxH	2660 x 950 x 1950 mm	
Crane & Options Weights		MPK20	1455
		/	500
		2T-D7	10
		JIB500G	30
		MR800.4	250
MPK20	Battery	1 Battery 24 V 345 Ah	3,0 kW 4,2 Hp
Speed		3.6 km/h	
Gradeability		10°	



Winch & Fall Stages

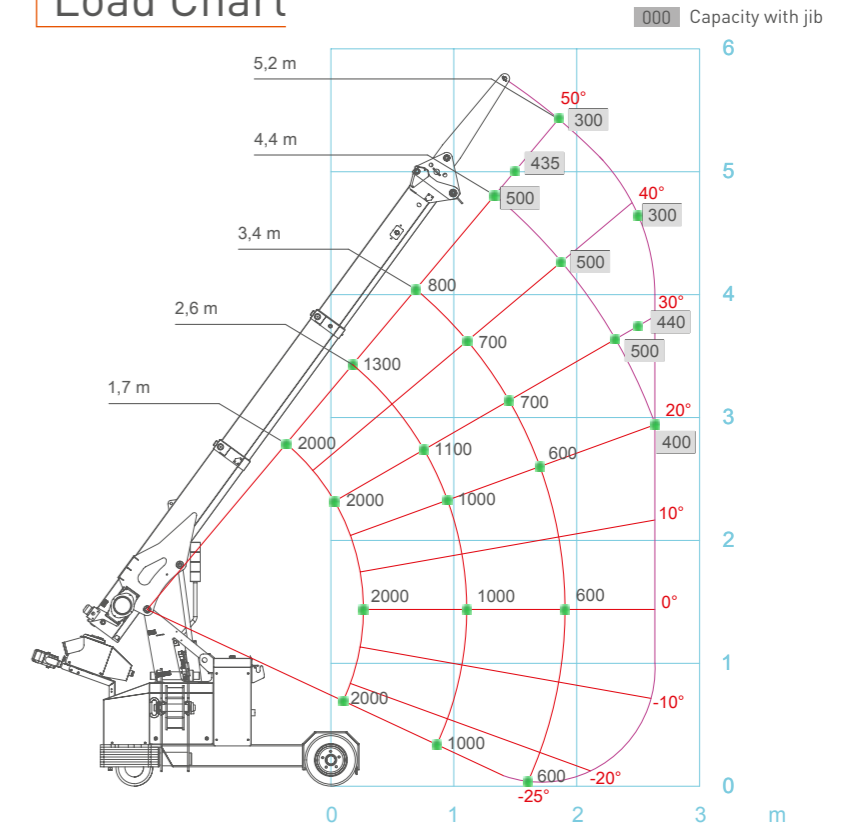
Main Winch	600 kg 60 m - Ø 7 mm 18 m/min.
------------	--------------------------------------



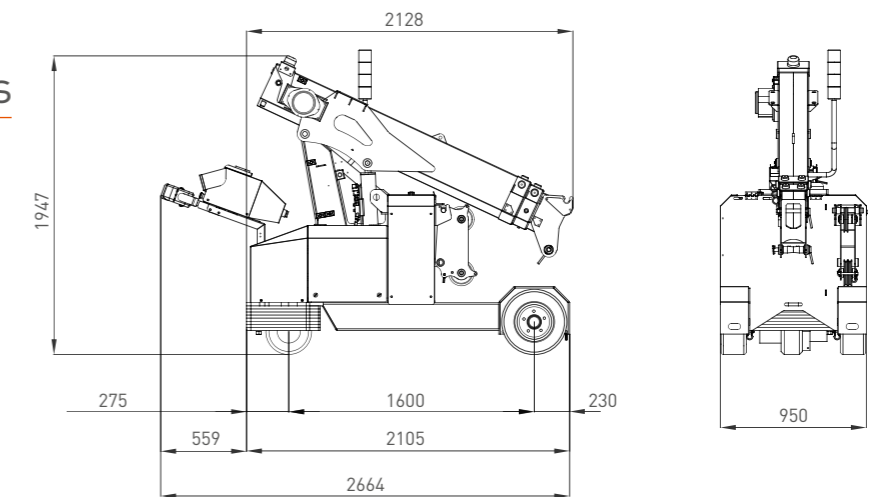
Max. Capacity	Line	Metres
1800 kg	3	-19 m
1200 kg	2	-28 m
600 kg	1	-55 m



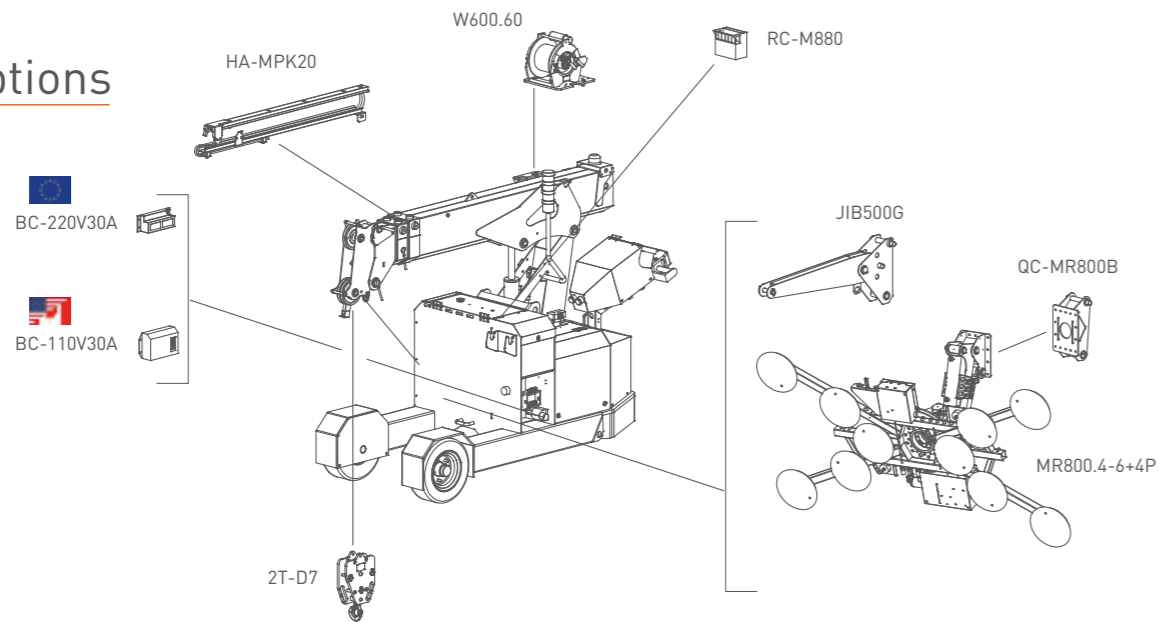
Load Chart



Dimensions



Crane Options



Tools Configurations

JIB500G		MR800	
	500 kg		800 kg
	300 kg @ 5.5 m		150 kg @ 4 m
	400 kg @ 2.5 m		150 kg @ 3.5 m