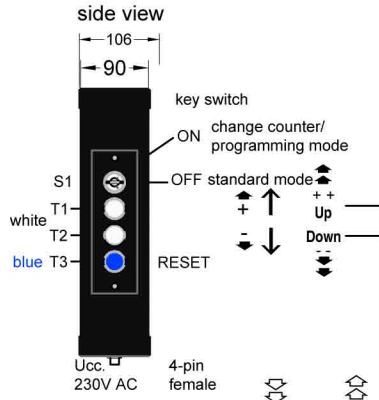
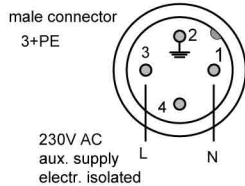


# Type: DA100-NZ40/U20RP

## day counter

### add



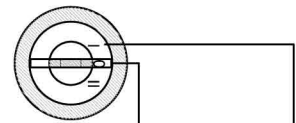
by pushing Down OR Up push button longer  
the adjust speed increase (fast mode)

### programming (M.P. = menu position)

M.P.	S1	T1	T2	T3	display	description
	⊙	○	○	●	0000	counter display
0	0	X +	X -	X	----	standard mode with brightness control brighter [+] with (T1) darker [-] with (T2)
1	I	++	--	Reset		adjust counter reading (T1) (T2) (T3)
2	I			> 5 sec.		programming mode (T3)
3	I	+			HH --	SET Time hours [HH] go to the next menu position (T2)
4	I	+	+		mm --	SET Time minutes [mm] go to the next menu position (T2)
5	I	+			dd --	SET Date day [dd] go to the next menu position (T2)
6	I	+	+		MM --	SET date month [MM] go to the next menu position (T2)
7	I	+	+		YY --	SET date year [YY] back to 1. menus. (M.P. 3) (T2)

### technical data

power supply:	100 - 240V AC
temperature range:	-20 °C ... +65 °C
key switch resting position [0] (center) device values can not be changed	
position 1 [I] (top) display adjustable with push buttons	
push button T1 white ○ [+] quick  numeric value is incremented by 1	
(top) [UP] [++] long  counter reading increase > fast mode	
push button T2 white ○ [-] quick  numeric value is decremented by 1	
(center) [DOWN] [--] long  counter reading decrease < fast mode	
push button T3 blue ● [RESET]  counter reading resets to "0"	
counting frequency:	day-long (24 hr. ->00:00) 1 added
display height:	100 mm
display color:	red
protection type:	IP 54
aluminium sheet wall housing powder-coated RAL 9005 (jet black)	
dimensions: [w x h x d]:	650 x 350 x 90 mm
max. dimensions (with fastener):	654 x 354(410) x 94(106) mm



programming mode ON

- ① key switch (S1) turn from standard mode [0] (center) to position [I] (top)
- ② push button (T3) blue ● (bottom) push longer than 5 seconds

programming mode OFF

- ① key switch (S1) turn from pos. [I] (top) to resting position [0] (center)