



Informations techniques - Data sheets

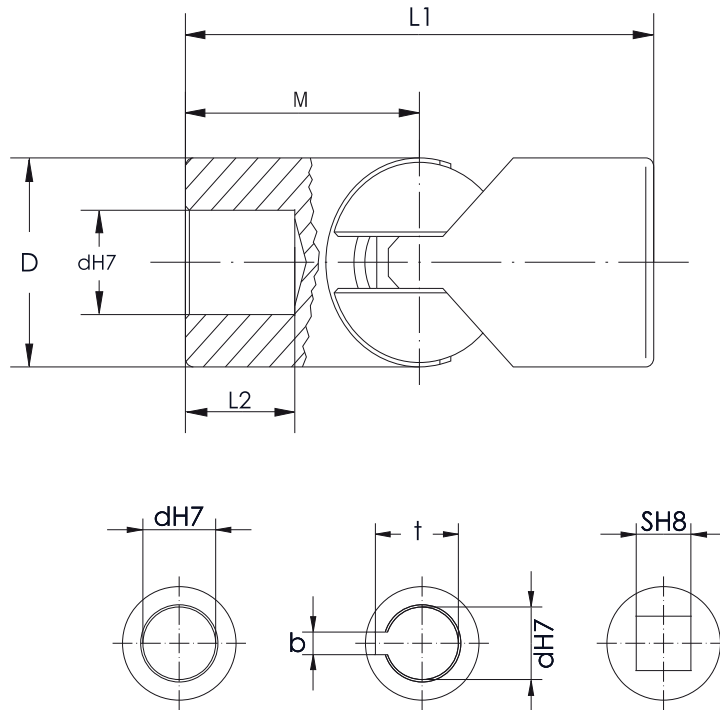
| Description / Description | Joint de cardan simple et double transmission à cardan | Single and double cardan joints shafts |
|--|--|---|
| Type d'articulation / Type of joint | rotules sphéroïdales | ball and socket joint |
| Norme / DIN standard | DIN 808 - 7551 | DIN 808 - 7551 |
| Matière / Material | Acier (11SMnPb 30 k) | Steel (11SMnPb 30 k) |
| Angle de travail / Working angle | Angle mécanique maxi 35° | Max. mechanical angle 35° |
| Vitesse de rotation maxi / RPM | 500 | 500 |
| Lubrification et maintenance / Lubrication and maintenance | Traitement anti-corrosion de surface effectué en fin de production. Une lubrification quotidienne est fortement recommandée. Sinon, nous suggérons d'équiper le cardan d'un soufflet en caoutchouc permettant la protection contre les agents extérieurs et une auto-lubrification s'il est dûment rempli de graisse. | Anti-rust surface treatment carried out at the end of the production cycle. Daily lubrication is highly recommended; otherwise it is suggested to use rubber boots which allow protection from external agents and continuous selflubrication, if duly filled with grease. |

Couple transmissible - transmissible torque

| Type | | | Md Max (En Nm) |
|--------|--------|--------|----------------|
| 6.13.4 | | | 6 |
| 6.16.4 | | | 8 |
| 6.20.4 | 6.20.5 | 6.20.2 | 20 |
| 6.24.4 | 6.24.5 | 6.24.2 | 30 |
| 6.28.4 | 6.28.5 | 6.28.2 | 50 |
| 6.32.4 | 6.32.5 | 6.32.2 | 60 |
| 6.36.4 | 6.36.5 | 6.36.2 | 120 |
| 6.40.4 | 6.40.5 | 6.40.2 | 160 |
| 6.45.4 | 6.45.5 | 6.45.2 | 200 |

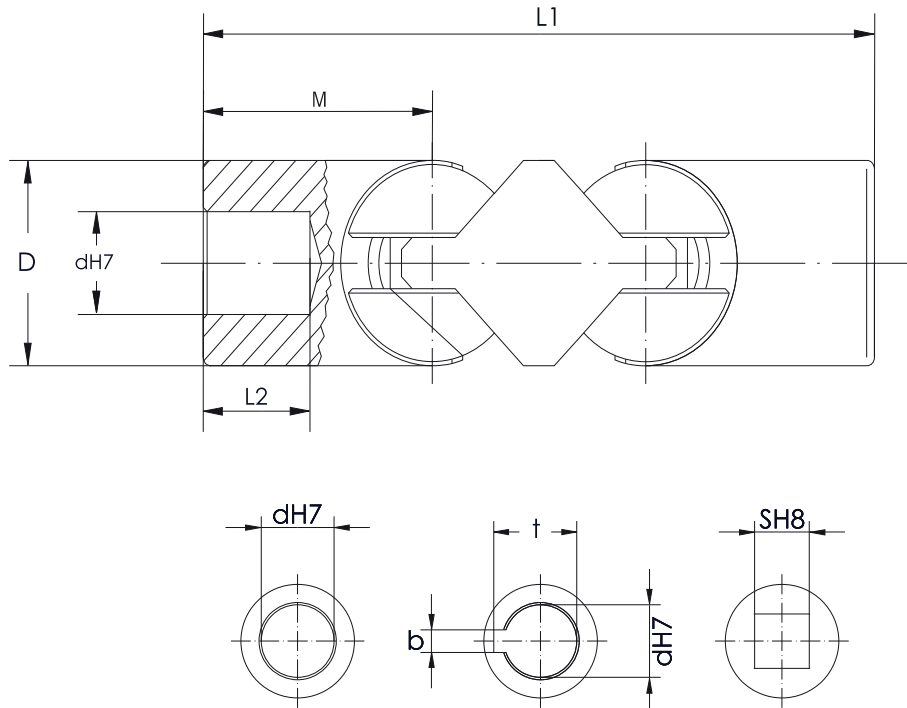
| Type | | | Md Max (En Nm) |
|--------|--------|--------|----------------|
| 6.50.4 | 6.50.5 | 6.50.2 | 290 |
| 6.55.4 | 6.55.5 | 6.55.2 | 440 |
| 6.60.4 | 6.60.5 | 6.60.2 | 520 |
| 6.65.4 | 6.65.5 | 6.65.2 | 700 |
| 6.70.4 | 6.70.5 | 6.70.2 | 820 |
| 6.80.4 | 6.80.5 | 6.80.2 | 930 |
| 6.90.4 | 6.90.5 | 6.90.2 | 1060 |
| 6.96.4 | 6.96.5 | 6.96.2 | 1250 |
| 6.97.4 | 6.97.5 | 6.97.2 | 1370 |

JOINT SIMPLE
ROTULE SPHÉROÏDALE



| Type | D | dH7 | L1 | M | L2 | Clavette | | Carré |
|--------|-----|-----|-----|------|----|----------|------|-------|
| | | | | | | b | t | SH8 |
| 6.13.4 | 13 | 6 | 35 | 17,5 | 10 | - | - | - |
| 6.16.4 | 16 | 8 | 40 | 20 | 10 | - | - | - |
| 6.20.4 | 20 | 10 | 50 | 25 | 13 | 3 | 11,4 | 10 |
| 6.24.4 | 24 | 12 | 60 | 30 | 14 | 4 | 13,8 | 12 |
| 6.28.4 | 28 | 14 | 70 | 35 | 17 | 5 | 16,3 | 14 |
| 6.32.4 | 32 | 16 | 80 | 40 | 19 | 5 | 18,3 | 16 |
| 6.36.4 | 36 | 18 | 90 | 45 | 22 | 6 | 20,8 | 18 |
| 6.40.4 | 40 | 20 | 100 | 50 | 24 | 6 | 22,8 | 20 |
| 6.45.4 | 45 | 22 | 110 | 55 | 26 | 6 | 24,8 | 22 |
| 6.50.4 | 50 | 25 | 125 | 62,5 | 30 | 8 | 28,3 | 25 |
| 6.55.4 | 55 | 25 | 135 | 67,5 | 35 | 8 | 33,3 | 30 |
| 6.60.4 | 60 | 35 | 165 | 82,5 | 42 | 10 | 38,3 | 32 |
| 6.65.4 | 65 | 40 | 190 | 95 | 46 | 12 | 43,3 | 36 |
| 6.70.4 | 70 | 45 | 210 | 105 | 52 | 14 | 53,8 | 40 |
| 6.80.4 | 80 | 50 | 230 | 115 | 58 | 14 | 53,8 | 42 |
| 6.90.4 | 90 | 60 | 260 | 130 | 70 | 18 | 64,4 | 50 |
| 6.96.4 | 100 | 70 | 290 | 145 | 80 | 74,9 | 54 | 54 |
| 6.97.4 | 110 | 75 | 320 | 160 | 85 | 79,9 | 58 | 58 |

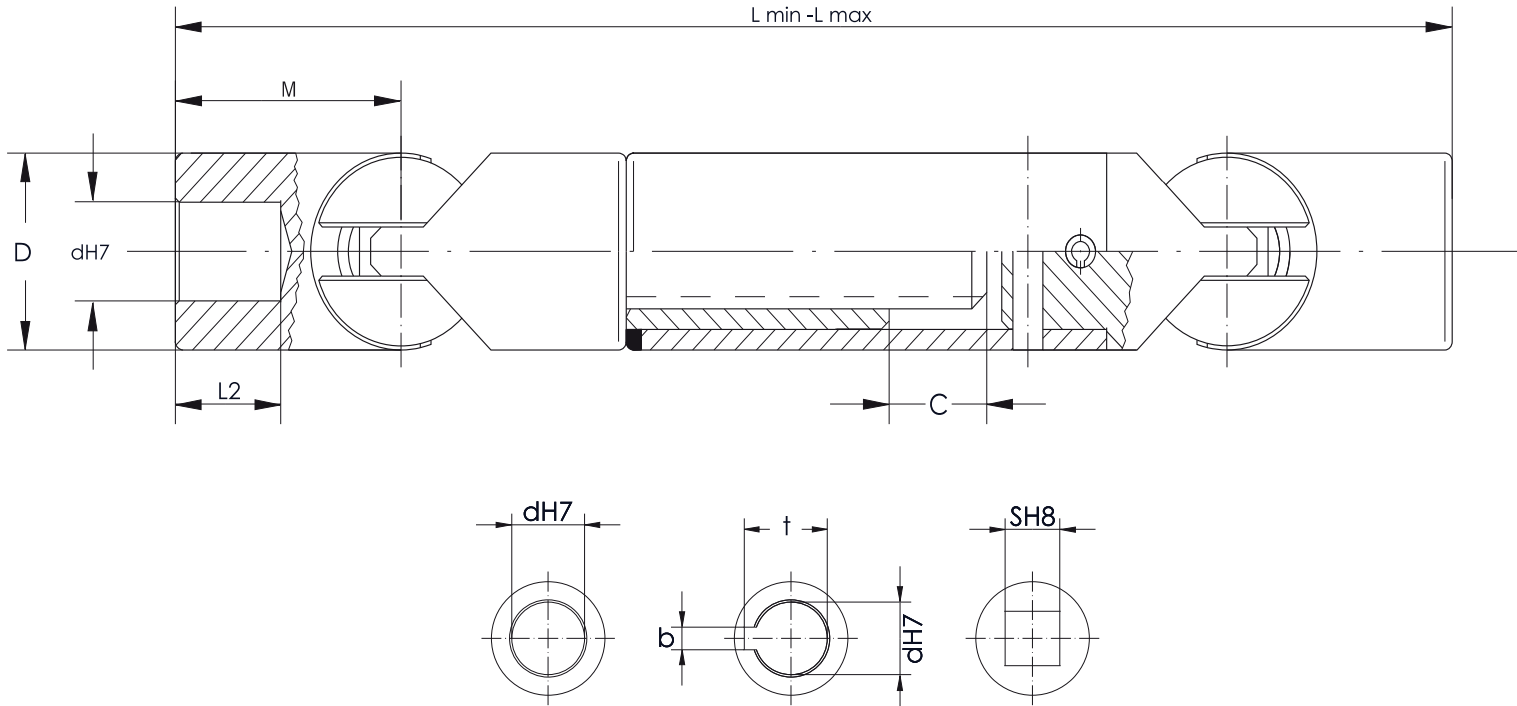
AUTRES DIMENSIONS SUR DEMANDE



| Type | D | dH7 | L1 | M | L2 | Clavette | | Carré |
|--------|-----|-----|-----|------|----|----------|------|-------|
| | | | | | | b | t | SH8 |
| 6.20.5 | 20 | 10 | 74 | 25 | 13 | 3 | 11,4 | 10 |
| 6.24.5 | 24 | 12 | 88 | 30 | 14 | 4 | 13,8 | 12 |
| 6.28.5 | 28 | 14 | 103 | 35 | 17 | 5 | 16,3 | 14 |
| 6.32.5 | 32 | 16 | 118 | 30 | 19 | 5 | 18,3 | 16 |
| 6.36.5 | 36 | 18 | 133 | 45 | 22 | 6 | 20,8 | 18 |
| 6.40.5 | 40 | 20 | 148 | 50 | 24 | 6 | 22,8 | 20 |
| 6.45.5 | 45 | 22 | 163 | 55 | 26 | 6 | 24,8 | 22 |
| 6.50.5 | 50 | 25 | 185 | 62,5 | 30 | 8 | 28,3 | 25 |
| 6.55.5 | 55 | 25 | 200 | 67,5 | 35 | 8 | 33,3 | 30 |
| 6.60.5 | 60 | 35 | 237 | 82,5 | 42 | 10 | 38,3 | 32 |
| 6.65.5 | 65 | 30 | 267 | 95 | 46 | 12 | 43,3 | 36 |
| 6.70.5 | 70 | 45 | 292 | 105 | 52 | 14 | 53,8 | 30 |
| 6.80.5 | 80 | 50 | 322 | 115 | 58 | 14 | 53,8 | 42 |
| 6.90.5 | 90 | 60 | 362 | 130 | 70 | 18 | 64,4 | 50 |
| 6.96.5 | 100 | 70 | 304 | 145 | 80 | 20 | 74,9 | 54 |
| 6.97.5 | 110 | 75 | 444 | 160 | 85 | 20 | 79,9 | 58 |

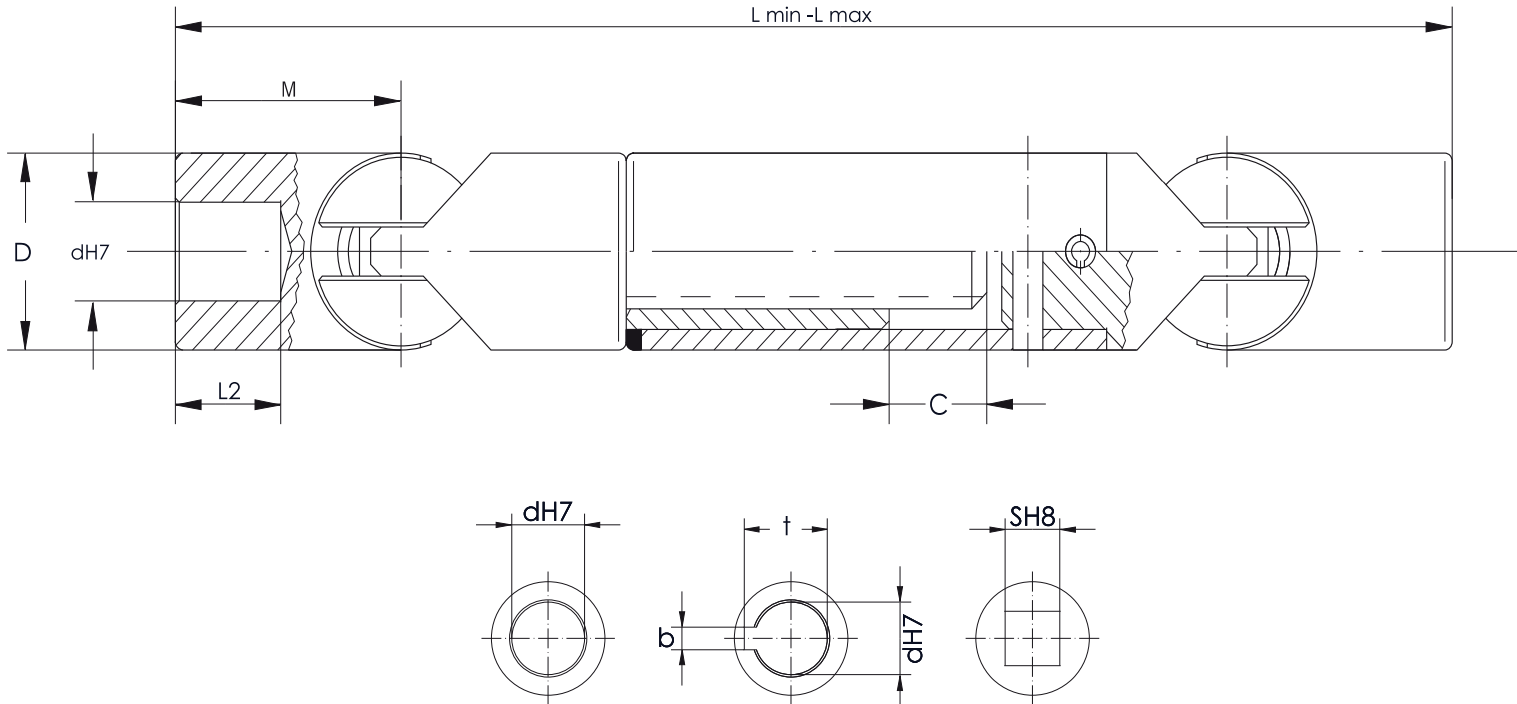
AUTRES DIMENSIONS SUR DEMANDE

TRANSMISSION COULISSANTE
ROTULE SPHÉROÏDALE



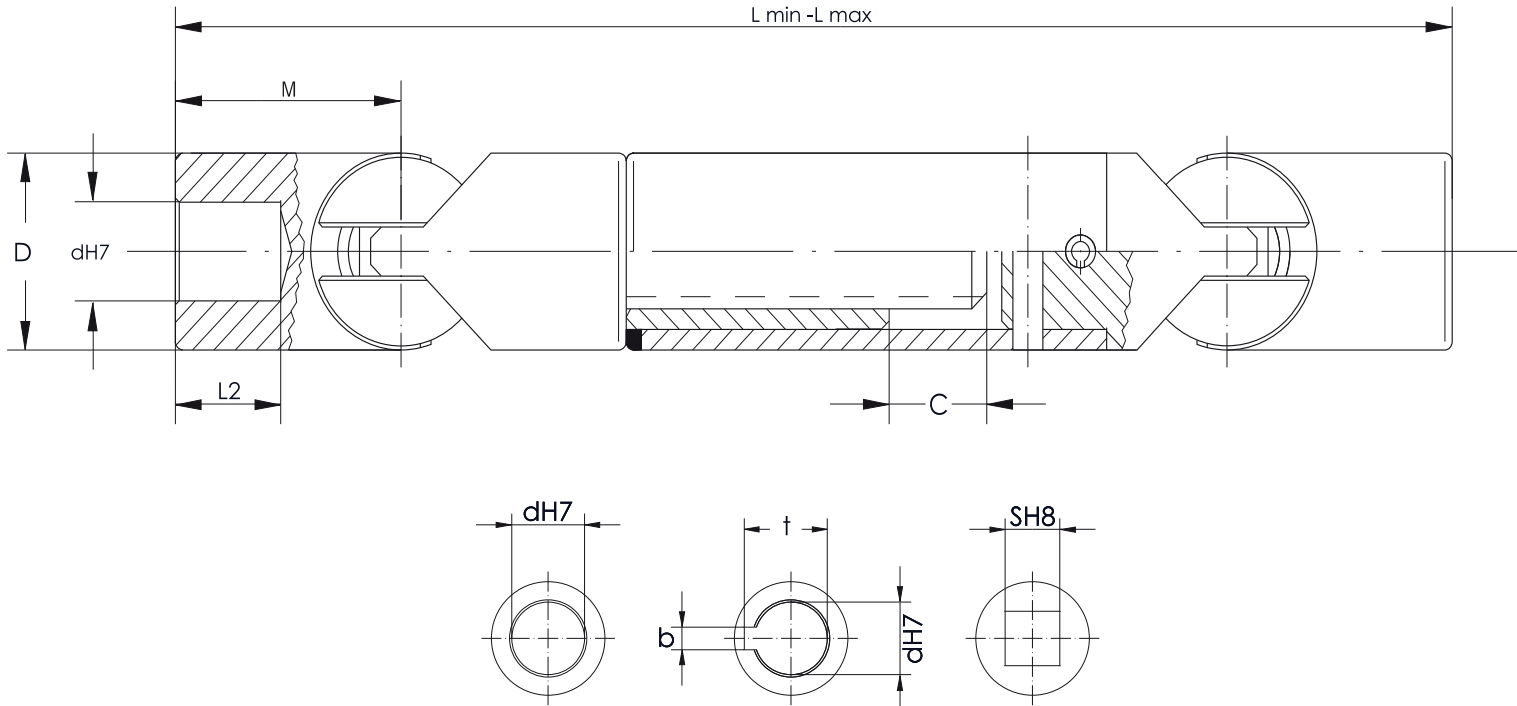
| Type | D | dH7 | M | L2 | Longueur standard | | | Profil cannelures E x F | Clavette | | Carré SH8 |
|--------|----|-----|----|----|-------------------|-----|--------|-------------------------------|----------|------|--------------|
| | | | | | Min | Max | Course | | b | t | |
| 6.20.2 | 20 | 10 | 25 | 13 | 150 | 170 | 20 | 11x14 Z6 | 3 | 11,4 | 10 |
| | | | | | 170 | 210 | 40 | | | | |
| | | | | | 200 | 270 | 70 | | | | |
| 6.24.2 | 24 | 12 | 30 | 14 | 170 | 195 | 25 | 11x14 Z6 | 4 | 13,8 | 12 |
| | | | | | 200 | 255 | 55 | | | | |
| | | | | | 220 | 295 | 75 | | | | |
| 6.28.2 | 28 | 14 | 35 | 17 | 220 | 250 | 30 | 16x20 Z6 | 5 | 16,3 | 14 |
| | | | | | 250 | 310 | 60 | | | | |
| | | | | | 280 | 370 | 90 | | | | |
| 6.32.2 | 32 | 16 | 40 | 19 | 220 | 250 | 30 | 16x20 Z6 | 5 | 18,3 | 16 |
| | | | | | 250 | 310 | 60 | | | | |
| | | | | | 280 | 370 | 90 | | | | |
| 6.36.2 | 36 | 18 | 45 | 22 | 250 | 285 | 35 | 18x22 Z6 | 6 | 20,8 | 18 |
| | | | | | 280 | 345 | 65 | | | | |
| | | | | | 300 | 385 | 85 | | | | |
| 6.40.2 | 40 | 20 | 50 | 24 | 280 | 320 | 40 | 21x25 Z6 | 6 | 22,8 | 20 |
| | | | | | 300 | 360 | 60 | | | | |
| | | | | | 350 | 460 | 110 | | | | |

TRANSMISSION COULISSANTE
ROTULE SPHÉROÏDALE



| Type | D | dH7 | M | L2 | Longueur standard | | | Profil cannelures E x F | Clavette | | Carré SH8 |
|--------|----|-----|------|----|-------------------|-----|--------|-------------------------------|----------|------|--------------|
| | | | | | Min | Max | Course | | b | t | |
| 6.45.2 | 45 | 22 | 55 | 26 | 300 | 340 | 40 | 21x25 Z6 | 6 | 24,8 | 22 |
| | | | | | 350 | 440 | 90 | | | | |
| | | | | | 400 | 540 | 140 | | | | |
| 6.50.2 | 50 | 25 | 62,5 | 30 | 350 | 400 | 50 | 28x32 Z6 | 8 | 28,3 | 25 |
| | | | | | 400 | 500 | 100 | | | | |
| | | | | | 450 | 600 | 150 | | | | |
| 6.55.2 | 55 | 30 | 67,5 | 35 | 400 | 450 | 50 | 28x32 Z6 | 8 | 33,3 | 30 |
| | | | | | 450 | 550 | 100 | | | | |
| | | | | | 500 | 660 | 160 | | | | |
| 6.60.2 | 60 | 35 | 82,5 | 42 | 450 | 500 | 50 | 36x42 Z6 | 10 | 38,3 | 32 |
| | | | | | 500 | 600 | 100 | | | | |
| | | | | | 580 | 760 | 180 | | | | |
| 6.65.2 | 65 | 40 | 95 | 46 | 520 | 590 | 70 | 36x42 Z6 | 12 | 43,3 | 36 |
| | | | | | 550 | 650 | 100 | | | | |
| | | | | | 630 | 810 | 180 | | | | |
| 6.70.2 | 70 | 45 | 105 | 52 | 580 | 650 | 70 | 44x52 Z18 | 14 | 53,8 | 30 |
| | | | | | 630 | 750 | 120 | | | | |
| | | | | | 700 | 890 | 190 | | | | |

TRANSMISSION COULISSANTE
ROTULE SPHÉROÏDALE



| Type | D | dH7 | M | L2 | Longueur standard | | | Profil cannelures E x F | Clavette | | Carré SH8 |
|--------|-----|-----|-----|----|-------------------|------|--------|-------------------------------|----------|------|--------------|
| | | | | | Min | Max | Course | | b | t | |
| 6.80.2 | 80 | 50 | 115 | 58 | 630 | 700 | 70 | 50x58 Z18 | 14 | 53,8 | 42 |
| | | | | | 700 | 840 | 140 | | | | |
| | | | | | 800 | 1040 | 240 | | | | |
| 6.90.2 | 90 | 60 | 130 | 70 | 700 | 770 | 70 | 54x62 Z20 | 18 | 64,4 | 50 |
| | | | | | 800 | 970 | 170 | | | | |
| | | | | | 900 | 1170 | 270 | | | | |
| 6.96.2 | 100 | 70 | 145 | 80 | 800 | 900 | 100 | 62x54 Z20 | 20 | 74,9 | 54 |
| | | | | | 900 | 1100 | 200 | | | | |
| | | | | | 1000 | 1300 | 300 | | | | |

AUTRES DIMENSIONS SUR DEMANDE