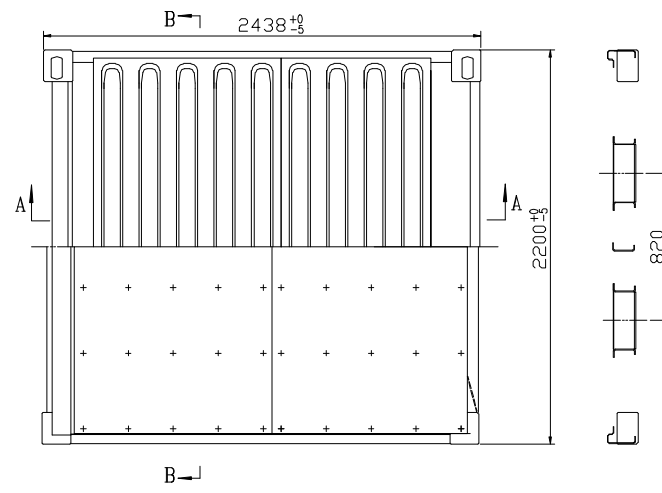
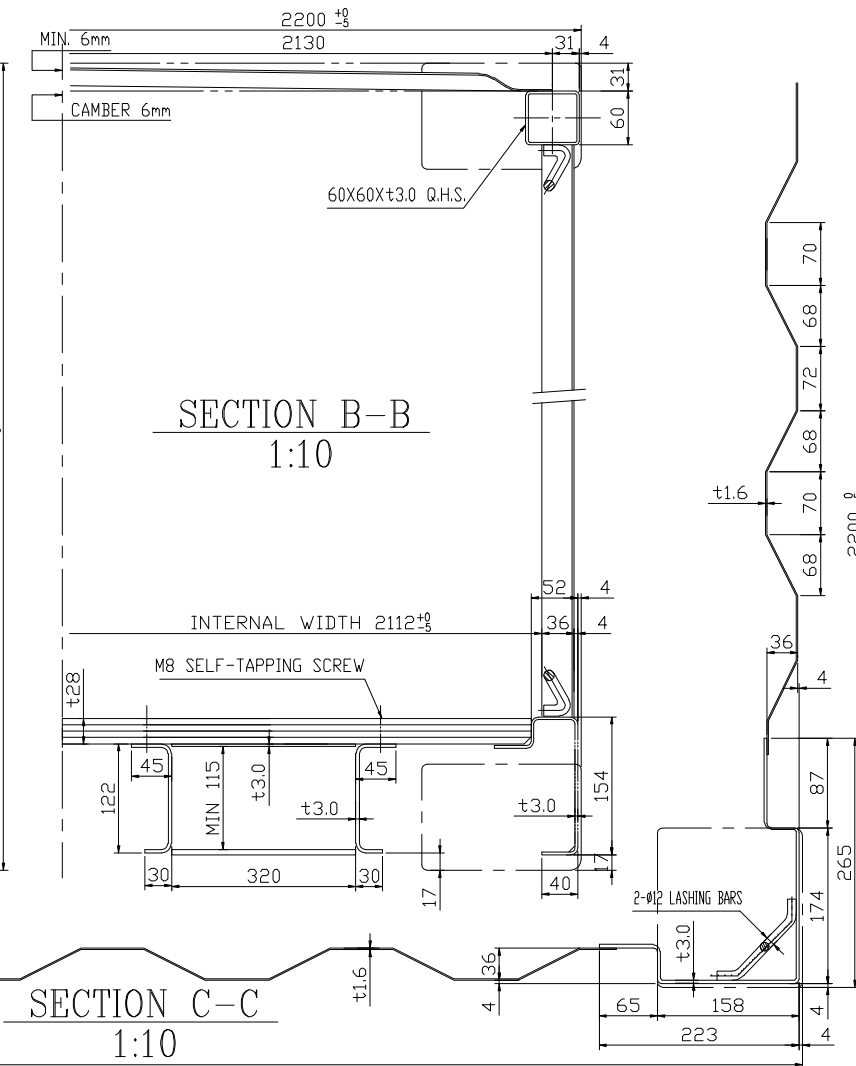
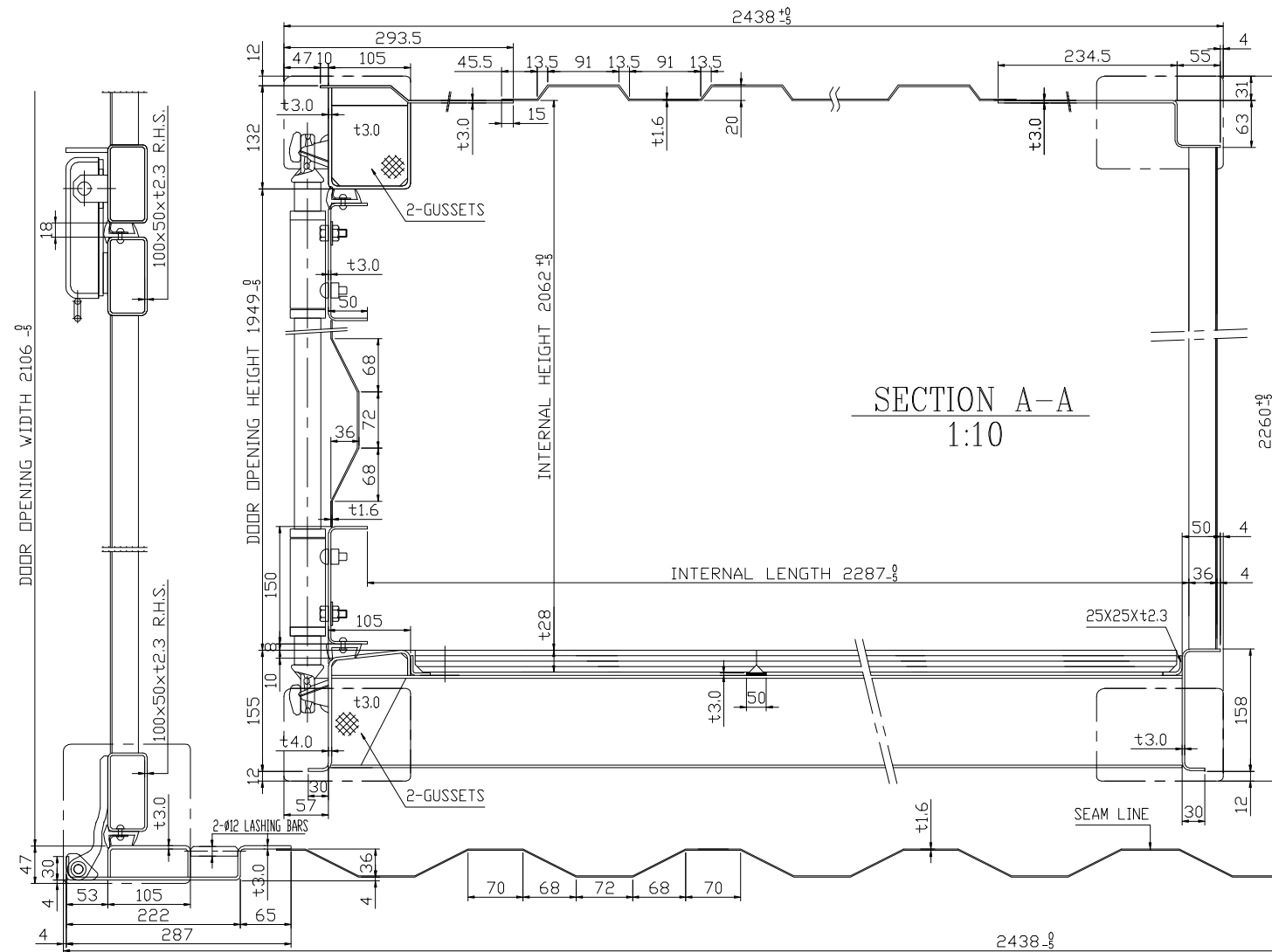
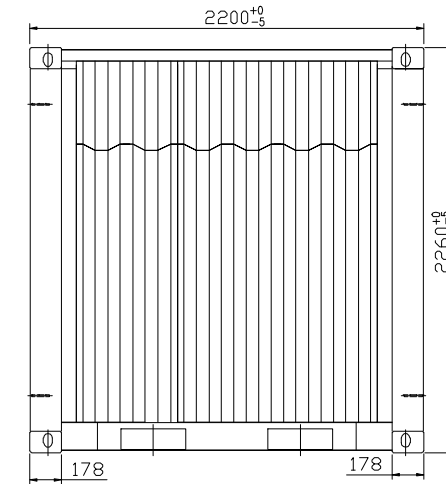
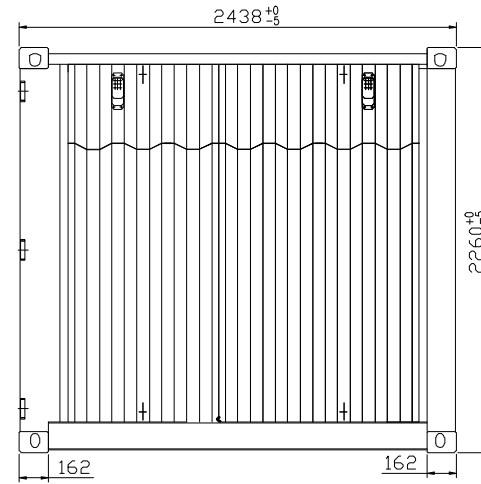
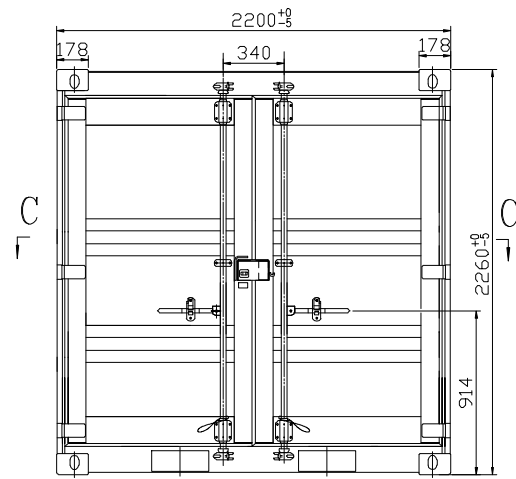


PART NAME	MATERIAL	REMARK
FRAME	SIDE RAIL	SS400
	END RAIL	SS400
	CORNER POST	SS400
	CROSS MEMBER	SS400
PANEL	DOOR	SS400
	ROOF	SS400
	SIDE	SS400
	FRONT	SS400
WOODEN FLOOR	APITONG/HARDWOOD	
DOOR LOCKING ROD ASS'Y	HH-EA/2 or SJ-66M	



DETAIL OF FORKLIFT POCKET



CLASSIFICATION		DIMENSION			
EXTERNAL	LENGTH	2,438	+0 -5mm	8' 0"	+0 -3/16"
	WIDTH	2,200	+0 -5mm	7' 2 5/8"	+0 -3/16"
	HEIGHT	2,260	+0 -5mm	7' 5"	+0 -3/16"
INTERNAL	LENGTH	2,287	mm	7' 6 1/16"	
	WIDTH	2,112	mm	6' 11 1/8"	
	HEIGHT	2,062	mm	6' 9 3/16"	
DOOR OPENING	WIDTH	2,106	+0 -5mm	6' 10 15/16"	
	HEIGHT	1,949	+0 -5mm	6' 4 3/4"	
INTERNAL CUBIC CAPACITY	9.95	CU.m	351	CU.ft	
MAXIMUM GROSS WEIGHT	6,000	kg	13,230	lb	
TARE WEIGHT	900	kg	1,980	lb	
MAXIMUM PAYLOAD	5,100	kg	11,250	lb	

DRAWING NO.	DESCRIPTION	REMARK
RXTC-08ITX-100	BASE ASSEMBLY	
RXTC-08ITX-20AC	DOOR ASSEMBLY	
RXTC-08ITX-300A	ROOF ASSEMBLY	
RXTC-08ITX-400A	SIDE ASSEMBLY	R/H:1 L/H:1
RXTC-08ITX-500A	FRONT ASSEMBLY	

TITLE:				OWNER
GENERAL ASSEMBLY				8'x2200x2260
总图				WY(KG)
MARK	QTY	REV. FILE NO.	SIGNATURE	DATE
DESIGNED		APPROVED		
CHECKED		DATE	2014.06.17	

DRAWING NO.		TITLE:		OWNER
RXTC-08ITX-00AS		GENERAL ASSEMBLY		8'x2200x2260
		总图		WY(KG)
Zhangjiagang Kintologram Logistic Equipment CO.,LTD.				
张家港日新通运物流装备				