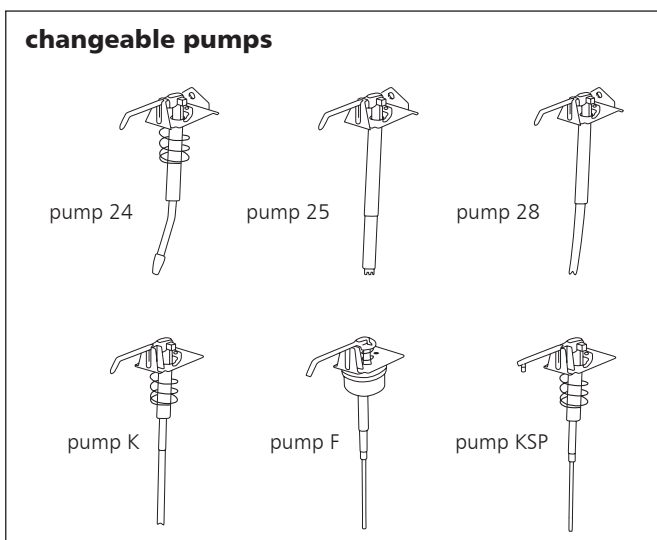
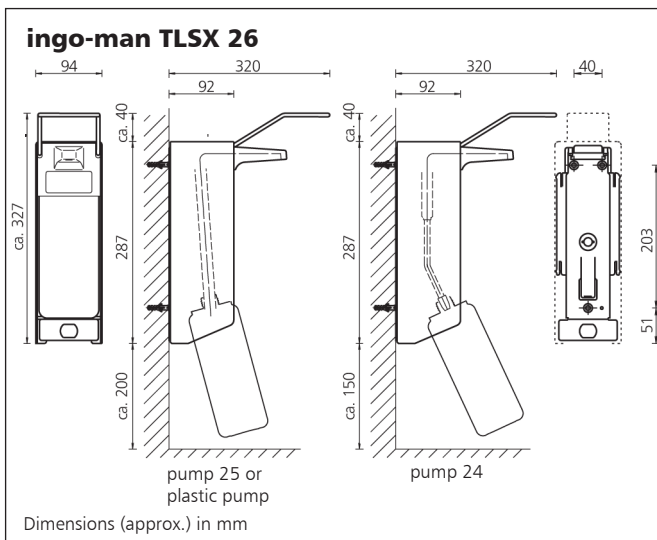
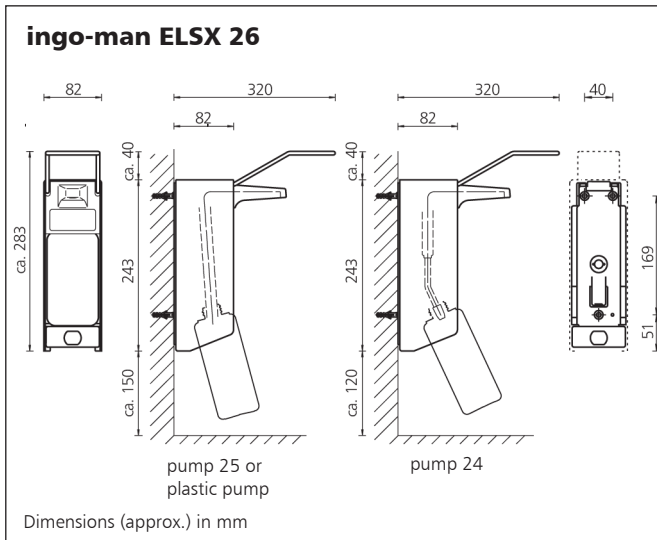


ingo-man® ELSX 26 A • TLSX 26 A

dispenser for soap and disinfectant • aluminium
with exchangeable pump • extra long operating lever
for disposable bottles, refillable



Ophardt Hygiene-Technik GmbH + Co. KG
Lindenau 27 • D-47661 Issum
Tel.: +49 2835 18-0 • Fax: +49 2835 18-77
E-Mail: info@ophardt.com • www.ophardt.com



Dispenser for soap and disinfectant

- ▶ dispenses liquid soaps, washing ups, alcoholic-based disinfectants, lotions, etc.
- ▶ ideal for hospital and medical domains
- ▶ for disposable 500 ml or 1000 ml bottles
- ▶ with exchangeable pump

Technical Data

Housing: Aluminium, silver anodized
Dosing pump: pump 25, stainless steel, straight suction pipe, pump 24, stainless steel, bended suction pipe, pump 28, stainless steel, flexible suction pipe, pump K, plastic pump, pump F, plastic pump with foam generator, pump KSP, plastic spray pump for disinfectants
pumps 25+24+28 autoclavable at 134°C, 2 bar, pumps K+F+KSP dishwasher-proof
pump K, pump KSP approx. 1,5 ml/stroke, reducible in 3 steps, pumps 24, 25, 28 adjustable at approx. 0,7 ml/1,0 ml/1,5 ml (in dependence on Viskosity of the product)
Operating lever: Stainless steel
Wall plate: Plastic
Marking clip: white (for product differentiation)
Wall mounting: with three plugs and screws

Description for tender

ingo-man ELSX 26 A/25 Art-No. 1411024
..... pcs.
dispenser for soap and disinfectant, 500 ml, aluminium, silver anodized, extra long operating lever, one clip, empty bottle, stainless steel pump 25, for cleaning of the pump remove it without mounting tools quick and easy backwards out of the dispenser - insert in vice versa per "push and click"-system
Dimensions: W 82 x H 283 x D 320 mm

ingo-man ELSX 26 A/24 Art-No. 1411023
..... pcs.
dispenser for soap and disinfectant, 500 ml, aluminium, silver anodized, extra long operating lever, one clip, empty bottle, stainless steel pump 24, for cleaning of the pump remove it without mounting tools quick and easy backwards out of the dispenser - insert in vice versa per "push and click"-system
Dimensions: W 82 x H 283 x D 320 mm

please turn round - resumption at the overleaf!

Continued tender:

ingo-man® ELSX 26 A • TLSX 26 A



Ophardt Hygiene-Technik GmbH + Co. KG
Lindenau 27 • D-47661 Issum
Tel.: +49 2835 18-0 • Fax: +49 2835 18-77
E-Mail: info@ophardt.com • www.ophardt.com

..... pcs. **ingo-man ELSX 26 A/28 Art-No. 1414910**
dispenser for soap and disinfectant, 500 ml,
aluminium, silver anodized, extra long
operating lever, one clip, empty bottle,
stainless steel pump 28 with flexible plastic
suction pipe,
for cleaning of the pump remove it without
mounting tools quick and easy backwards out
of the dispenser - insert in vice versa per
"push and click"-system
Dimensions: W 82 x H 283 x D 320 mm

..... pcs. **ingo-man ELSX 26 A/K Art-No. 1411025**
dispenser for soap and disinfectant, 500 ml,
aluminium, silver anodized, extra long
operating lever, one clip, empty bottle,
plastic pump,
for cleaning of the pump remove it without
mounting tools quick and easy backwards out
of the dispenser - insert in vice versa per
"push and click"-system
Dimensions: W 82 x H 283 x D 320 mm

..... pcs. **ingo-man ELSX 26 A/KSP Art-No. 1412591**
dispenser for soap and disinfectant, 500 ml,
aluminium, silver anodized, extra long
operating lever, one clip, empty bottle,
plastic spray pump for disinfectant,
for cleaning of the pump remove it without
mounting tools quick and easy backwards out
of the dispenser - insert in vice versa per
"push and click"-system
Dimensions: W 82 x H 283 x D 320 mm

..... pcs. **ingo-man TLSX 26 A/25 Art-No. 1410864**
dispenser for soap and disinfectant, 1000 ml,
aluminium, silver anodized, extra long
operating lever, one clip, empty bottle,
stainless steel pump 25,
for cleaning of the pump remove it without
mounting tools quick and easy backwards out
of the dispenser - insert in vice versa per
"push and click"-system
Dimensions: W 94 x H 327 x D 320 mm

..... pcs. **ingo-man TLSX 26 A/24 Art-No. 1410997**
dispenser for soap and disinfectant, 1000 ml,
aluminium, dull silver anodized, extra long
operating lever, one clip, empty bottle,
stainless steel pump 24,
for cleaning of the pump remove it without
mounting tools quick and easy backwards out
of the dispenser - insert in vice versa per
"push and click"-system
Dimensions: W 94 x H 327 x D 320 mm

resumption at the next side!

Continued tender:

ingo-man® ELSX 26 A • TLSX 26 A



Ophardt Hygiene-Technik GmbH + Co. KG
Lindenau 27 • D-47661 Issum
Tel.: +49 2835 18-0 • Fax: +49 2835 18-77
E-Mail: info@ophardt.com • www.ophardt.com

..... pcs. **ingo-man TLSX 26 A/28 Art-No. 1414909**
dispenser for soap and disinfectant, 1000 ml,
aluminium, silver anodized, extra long
operating lever, one clip, empty bottle,
stainless steel pump 28 with flexible plastic
suction pipe,
for cleaning of the pump remove it without
mounting tools quick and easy backwards out
of the dispenser - insert in vice versa per
"push and click"-system
Dimensions: W 94 x H 327 x D 320 mm

..... pcs. **ingo-man TLSX 26 A/K Art-No. 1410998**
dispenser for soap and disinfectant, 1000 ml,
aluminium, silver anodized, extra long
operating lever, one clip, empty bottle,
plastic pump,
for cleaning of the pump remove it without
mounting tools quick and easy backwards out
of the dispenser - insert in vice versa per
"push and click"-system
Dimensions: W 94 x H 327 x D 320 mm

..... pcs. **ingo-man TLSX 26 A/KSP Art-No. 1412606**
dispenser for soap and disinfectant, 1000 ml,
aluminium, silver anodized, extra long
operating lever, one clip, empty bottle,
plastic spray pump for disinfectant,
for cleaning of the pump remove it without
mounting tools quick and easy backwards out
of the dispenser - insert in vice versa per
"push and click"-system
Dimensions: W 94 x H 327 x D 320 mm

Product: **ingo-man®**
Manufacturer: OPHARDT HYGIENE-TECHNIK GmbH + Co. KG