

CV-S801 CV-S1601

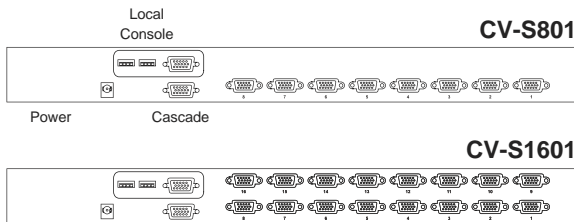


Combo DB-15 KVM Benefits

- ▶ Combo DB-15 KVM with either 8 or 16 ports in 1U
- ▶ Cascade switches up to 8 levels & Mix switches between Cat6 & Combo DB-15 KVM
- ▶ Mix PS/2, USB & SUN with Multi-Platform switch capability
- ▶ Support resolution up to 1920 x 1080
- ▶ SUN 1152 x 900 resolution compatible
- ▶ Hot pluggable, no software or drivers required
- ▶ Easy & quick installation

Switch Features & Options

- Multi lingual on screen display menu
- Advanced user profiles and configurable OSD hot key combinations
- DC power options : 12V / 24V / 48V / 110 ~ 125V



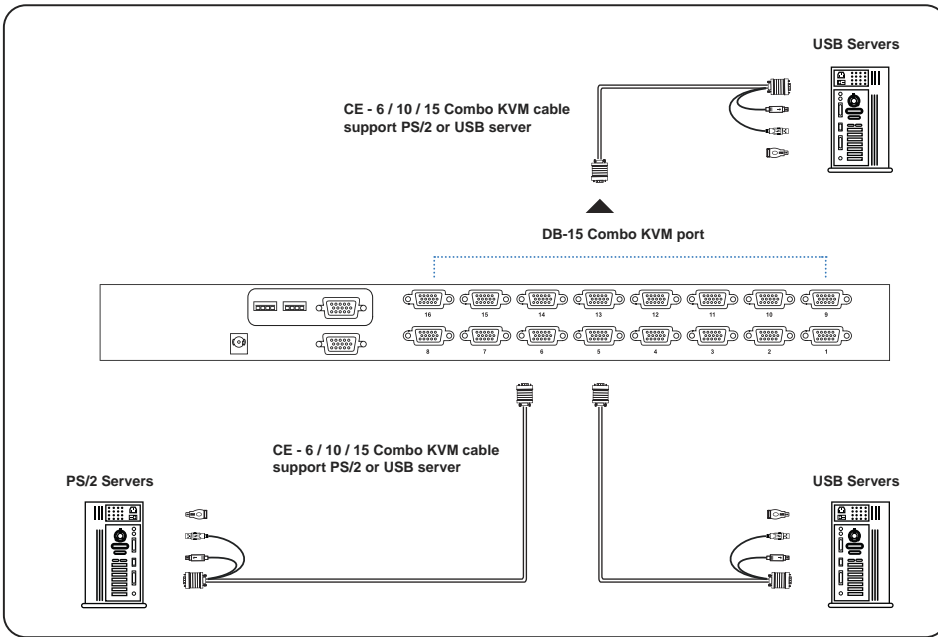
Ordering Information

Console	Local	Remote	IP	8-port	16-port
	1	0	0	CV-S801	CV-S1601

KVM Specification

■ KVM Port Number of ports: 8 or 16 Connector: DB-15 combo connector Connectivity: Combo 4-in-1 KVM cable, up to 6, 10 & 15 feet	■ Power Input: Auto sensing 100 to 240VAC, 50 / 60 Hz Option DC: 12V / 24V / 48V / 110 ~ 125V DC input Consumption: Max. 24 Watt, Standby 5 Watt
■ Local Console Graphic Connector: 1 x DB-15 VGA Resolution: Up to 1920 x 1080 / 1920 x 1200 Input device: 2 x USB type A for keyboard & mouse	■ Regulatory : Safety: cUL, FCC & CE certified Environment: RoHS2 & REACH compliant
■ Management Multilingual OSD: English, France, German, Spanish, Italian, Russian, Simplified Chinese, Japanese Hotkey combination: Scroll-lock, Cap-lock, Num-lock, Alt, Ctrl & Win Security: Password enable & disable, up to 8 users profile for port access PC Selection: Front button, OSD menu & hotkey	■ Environmental Operating: 0 to 50°C Storage: -5 to 60°C Relative humidity: 90%, non-condensing Shock: 50G peak acceleration (11ms, half-sine wave) Vibration: 58~100Hz / 0.98G (11ms / cycle)
■ Expansion: Up to 128 servers by 8-level cascade	■ Product Information Dimension (W x D x H): 443 x 171 x 44 mm / 17.4 x 6.7 x 1.73 inch Net weight: 2.4 kg / 5.3 lb (CV-S801) 2.6 kg / 5.7 lb (CV-S1601)
■ Compatibility Multi-platform: Mix PCs, SUN and Mac G3 / G4 Mac / iMac Support: Windows 7 / Vista / 2003 / XP, Linux, Unix	■ Packing Information Dimension (W x D x H): 500 x 400 x 90 mm / 19.7 x 15.7 x 3.5 inch Gross weight: 3.9 kg / 8.6 lb (CV-S801) 4.2 kg / 9.2 lb (CV-S1601)

KVM port connection



CE-6 / CE-10 / CE-15

- 6 / 10 / 15 ft Combo KVM cable
- Support PS/2 or USB server

! For detailed product specifications and options, please download the user manual from the link below : www.austin-hughes.com/support/usermanual/cyberview/UM-CV-SKVM.pdf

KVM Cascade

- Cascade up to 8 levels, 128 servers
- Cascading multiple KVM with CBC-6 cascade cable.

