



CREAT'INOX

Robinetterie - Tuyauterie - Raccords - Accessoires
en acier inoxydable 304L / 316L, suivant les normes
DIN - SMS - CLAMP - RJT - IDF - GAZ - ISO - MACON
Portes - Trappes - Flexibles - Equipements

VANNES A BOULE



VALVOLE A SFERA

- Di solida e robusta costruzione.
- Parti a contatto con il fluido costruite esclusivamente in acciaio inossidabile AISI 316L. A richiesta, disponibili in acciaio inossidabile AISI 304L.
- Facilmente sterilizzabili.
- Facilmente disassemblabili.
- Corredabili di comandi manuali o pneumatici.
- Comandi pneumatici orizzontali e verticali a semplice effetto, doppio effetto e di regolazione flusso, corredabili di contatto di prossimità, microinterruttore (elettrico o pneumatico), elettrovalvola (24V CA, 24 V CC, 48 V CA, 48 V CC), connettore.
- Intercambiabilità tra le varie unificazioni.
- Produzione standard: norme DIN, SMS, RJT BS, ISS IDF, Clamp, Gas, Eno, Macon.
- Finitura standard: lucidatura esterna e satinatura interna grana 120. Altre finiture a richiesta.
- Massima pressione di esercizio: 10 bar.

BALL VALVES

- Heavy duty construction.
- Parts in contact with the fluid made exclusively of AISI 316L stainless steel. On request, available in AISI 304L stainless steel.
- Easy to sterilize.
- Easy to disassemble.
- Can be equipped with manual or pneumatic controls.
- Horizontal and vertical pneumatic controls with single action, double action and flow control. Can be equipped with proximity contact, microswitch (electrical or pneumatic), solenoid valve (24 V AC, 24 V DC, 48 V AC, 48 V DC), connector.
- Interchangeability between the different standards.
- Production: DIN, SMS, RJT BS, ISS IDF, Clamp, BSP, Eno and Macon standards.
- Standard finish: 120 grain external polishing and internal glazing. Other finishes on request.
- Maximum operating pressure: 10 bars.

VANNES À BOULE

- Fabrication solide et robuste.
- Parties en contact avec le fluide fabriquées exclusivement en acier inoxydable AISI 316L. Sur demande, disponibles en acier inoxydable AISI 304L.
- Facilement stérilisables.
- Facilement démontables.
- Peuvent être munies de commandes manuelles ou pneumatiques.
- Commandes pneumatiques horizontales et verticales à simple effet, double effet et pour le réglage du flux; peuvent être munies de contact de proximité, minirupteur (électrique ou pneumatique), électrovanne (24 V CA, 24 V CC, 48 V CA, 48 V CC), connecteur.
- Interchangeabilité possible entre les différentes standards.
- Production standard: normes DIN, SMS, RJT BS, ISS IDF, Clamp, Gas, Eno, Macon.
- Finissage standard: polissage extérieur et satinage intérieur grain 120. Autres finissages sur demande.
- Pression d'exploitation maximum: 10 bars.

VÁLVULAS DE BOLA

- De fabricación sólida y robusta.
- Las partes que están en contacto con el fluido se fabrican exclusivamente en acero inoxidable AISI 316L. A pedido, se pueden suministrar en acero inoxidable AISI 304L.
- Fácilmente esterilizables.
- Se pueden desmontar fácilmente.
- Equipadas con mandos manuales o neumáticos.
- Mandos neumáticos horizontales y verticales de simple efecto, doble efecto y de regulación del flujo que se pueden equipar con microsensar, microrruptor (eléctrico o neumático), electroválvula (24 V CA, 24 V CC, 48 V CA, 48 V CC), conector.
- Posibilidad de intercambio entre las distintas unificaciones.
- Producción estándar: normas DIN, SMS, RJT BS, ISS IDF, Clamp, Gas, Eno, Macon.
- Acabado estándar: pulido exterior y satinado interior grano 120. A pedido, se pueden suministrar otros acabados.
- Máxima presión de ejercicio: 10 bares.

VALVOLE A SFERA CON DRENAGGIO

- Elementi interni facilmente raggiungibili durante le fasi di lavaggio CIP.
- Produzione standard: 1" – 4"; norme DIN, SMS, RJT BS, ISS IDF, Clamp, Gas, Eno, Macon.

DRAINAGE BALL VALVES

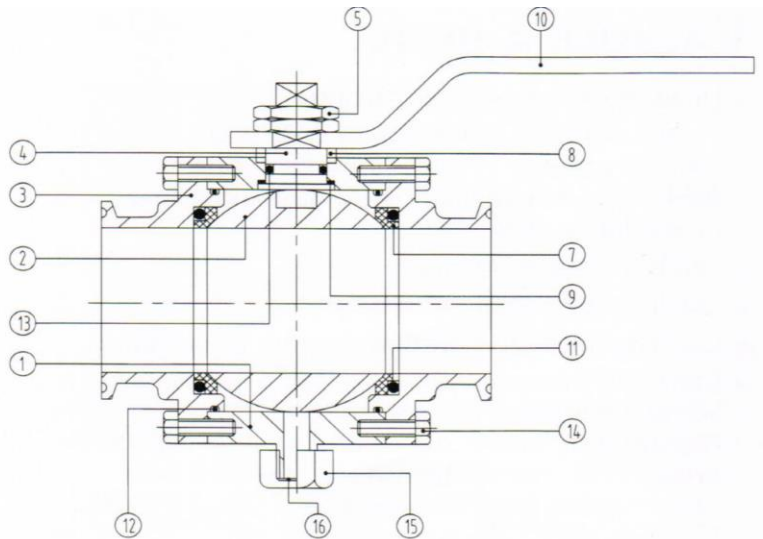
- Internal parts easy to reach during CIP process.
- Standard production: 1" – 4"; DIN, SMS, RJT BS, ISS IDF, Clamp, BSP, Eno and Macon standards.

VANNES À BOULE AVEC DRAINAGE

- Éléments internes faciles à atteindre durant les opérations de lavage CIP.
- Production standard: 1" – 4"; normes DIN, SMS, RJT BS, ISS IDF, Clamp, Gas, Eno, Macon.

VÁLVULAS DE BOLA CON DRENAJE

- Los elementos internos son fácilmente accesibles durante las fases de lavado CIP.
- Producción estándar: 1" – 4"; normas DIN, SMS, RJT BS, ISS IDF, Clamp, Gas, Eno, Macon.



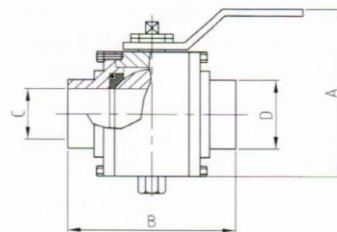
51

- | | | |
|---|--|---|
| 1. Corpo valvola
Valve body
Corps vanne
Cuerpo | 7. Guarnizione
Gasket
Joint
Junta | 12. Anello di tenuta OR
OR seal ring
Joint torique
Junta OR |
| 2. Sfera
Ball
Boule
Bola | 8. Distanziale
Spacer
Entretoise
Distanciador | 13. Anello di tenuta OR
OR seal ring
Joint torique
Junta OR |
| 3. Flangia
Flange
Bride
Brida | 9. Rondella
Washer
Rondelle
Arandela | 14. Vite esagonale
Hexagonal screw
Vis hexagonale
Tornillo hexagonal |
| 4. Perno
Spindle
Pivot
Perno | 10. Maniglia
Handle
Poignée
Maneta | 15. Dado esagonale
Hexagonal nut
Écrou hexagonal
Tuerca hexagonal |
| 5. Dado esagonale
Hexagonal nut
Écrou hexagonal
Tuerca hexagonal | 11. Anello di tenuta OR
OR seal ring
Joint torique
Junta OR | 16. Pastiglia
Pin
Pastille
Pastilla |



VALVOLA SFERA DRENAGGIO EL.
DRAINAGE BALL VALVE PE.
VANNES BOULE DRAINAGE BL.
VÁLVULA BOLA DRENAJE EL.

W51



DN	A	B	C	D	gr	
1"	25	90,0	95,0	22,1	25,4	1.090
1 1/2"	38	110,0	107,0	34,8	38,1	2.080
2"	51	126,0	118,0	47,5	50,8	3.120
2 1/2"	63	143,0	135,0	60,0	63,5	4.710
3"	76	163,0	158,0	72,0	76,2	6.910
4"	101	202,0	170,0	97,0	101,6	13.530

VALVOLE A SFERA COMPATTE

- Sfera contenuta all'interno delle flange e conseguente alleggerimento della struttura e riduzioni dell'ingombro valvola.
- Produzione standard: 1 1/2" - 3"; norme DIN, SMS, RJT BS, ISS IDF, Clamp, Gas, Eno, Macon.

COMPACT BALL VALVES

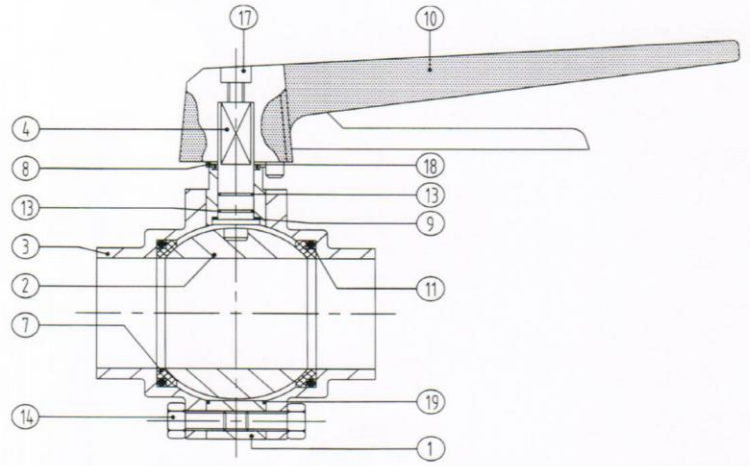
- Ball contained in the flange with resulting lightening of the structure and reduction of valve volume.
- Standard production: 1 1/2" - 3"; DIN, SMS, RJT BS, ISS IDF, Clamp, BSP, Eno and Macon standards.

VANNES À BOULE COMPACTES

- La boule contenue à l'intérieur des brides allège la structure et réduit l'encombrement de la vanne.
- Production standard: 1 1/2" - 3"; normes DIN, SMS, RJT BS, ISS IDF, Clamp, Gas, Eno, Macon.

VÁLVULAS DE BOLA COMPACTAS

- Bola alojada en el interior de las bridas con consiguiente aligeramiento de la estructura y reducción de las dimensiones de la válvula.
- Producción estándar: 1 1/2" - 3"; normas DIN, SMS, RJT BS, ISS IDF, Clamp, Gas, Eno, Macon.



71

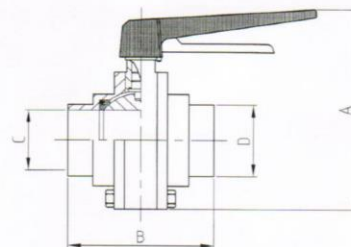
Brevetto n./Patent no./Brevet n./Patente n. MI 97 U 000382

- | | | |
|---|--|--|
| 1. Corpo valvola
Valve body
Corps vanne
Cuerpo | 8. Distanziale
Spacer
Entretoise
Distanciador | 14. Vite esagonale
Hexagonal screw
Vis 6 pans
Tornillo exagonal |
| 2. Sfera
Ball
Boule
Bola | 9. Rondella
Washer
Rondelle
Arandela | 17. Vite brugola
Allen screw
Vis Allen
Tornillo Allen |
| 3. Flangia
Flange
Bride
Brida | 10. Maniglia
Handle
Poignée
Maneta | 18. Rondella
Washer
Rondelle
Arandela |
| 4. Perno
Spindle
Pivot
Perno | 11. Anello di tenuta OR
OR seal ring
Joint torique
Junta OR | 19. Anello PTFE
PTFE ring
Joint PTFE
Junta PTFE |
| 7. Guarnizione
Gasket
Joint
Junta | 13. Anello di tenuta OR
OR seal ring
Joint torique
Junta OR | |



VALVOLA SFERA COMPATTA EL.
COMPACT BALL VALVE PE.
VANNE BOULE COMPACTE BL.
VÁLVULA BOLA COMPACTA EL.

W71



DN	A	B	C	D	gr
1 1/2"	38	138,0	73,0	35,0	38,1 1.570
2"	51	155,0	80,0	47,5	50,8 2.270
2 1/2"	63	176,0	97,0	60,0	63,5 4.210
3"	76	190,0	109,0	72,0	76,2 6.860

VALVOLE A SFERA

- Un'estremità a saldare e un'estremità, a richiesta, a norme DIN, SMS, RJT BS, ISS IDF, Clamp, Gas, Eno, Macon.
- Produzione standard: 1 1/2" - 3".

BALL VALVES

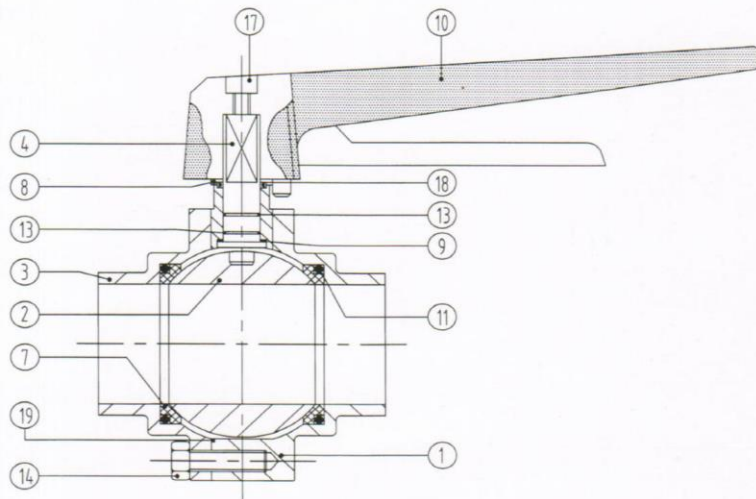
- One welded end and one end, on request, produced in conformity with DIN, SMS, RJT BS, ISS IDF, Clamp, BSP, Eno and Macon standards.
- Standard production: 1 1/2" - 3".

VANNES À BOULE

- Un bout à souder et un bout, sur demande, conforme aux normes DIN, SMS, RJT BS, ISS IDF, Clamp, Gas, Eno, Macon.
- Production standard: 1 1/2" - 3".

VÁLVULAS DE BOLA

- Un extremo para soldar y un extremo, a pedido, según las normas DIN, SMS, RJT BS, ISS IDF, Clamp, Gas, Eno, Macon.
- Producción estándar: 1 1/2" - 3".



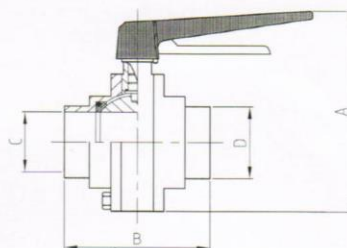
81

- | | | |
|---|--|---|
| 1. Corpo valvola
Valve body
Corps vanne
Cuerpo | 8. Distanziale
Spacer
Entretoise
Distanciador | 14. Vite esagonale
Hexagonal screw
Vis 6 pans
Tornillo hexagonal |
| 2. Sfera
Ball
Boule
Bola | 9. Rondella
Washer
Rondelle
Arandela | 17. Vite brugola
Allen screw
Vis Allen
Tornillo Allen |
| 3. Flangia
Flange
Bride
Brida | 10. Maniglia
Handle
Poignée
Maneta | 18. Rondella
Washer
Rondelle
Arandela |
| 4. Perno
Spindle
Pivot
Perno | 11. Anello di tenuta OR
OR seal ring
Joint torique
Junta OR | 19. Anello PTFE
PTFE ring
Joint PTFE
Junta PTFE |
| 7. Guarnizione
Gasket
Joint
Junta | 13. Anello di tenuta OR
OR seal ring
Joint torique
Junta OR | |



VALVOLA SFERA EL.
BALL VALVE PE.
VANNE BOULE BL.
VÁLVULA BOLA EL.

W81



DN		A	B	C	D	gr
1 1/2"	38	138,0	73,0	35,0	38,1	1.570
2"	51	155,0	80,0	47,5	50,8	2.270
2 1/2"	63	176,0	97,0	60,0	63,5	4.210
3"	76	190,0	109,0	72,0	76,2	6.860

VALVOLE A SFERA ESTRAIBILI

- Disassemblaggio in linea.
- Guarnizione sanitaria nel modello 90.
- Produzione standard: 1" – 3"; norme DIN, SMS, RJT BS, ISS IDF, Clamp, Gas, Eno, Macon.

EXTRACTABLE BALL VALVES

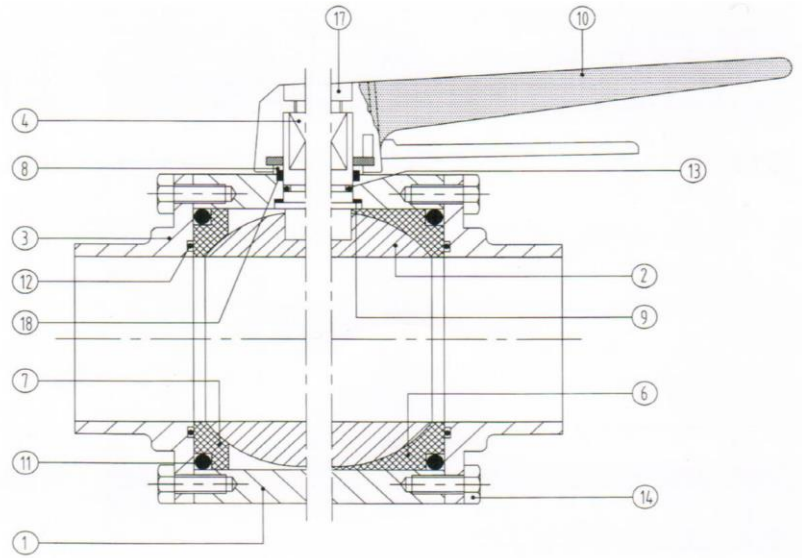
- On-line disassembly.
- Sanitary gasket in model 90.
- Standard production: 1" – 3"; DIN, SMS, RJT BS, ISS IDF, Clamp, BSP, Eno and Macon standards.

VANNES À BOULE EXTRACTIBLES

- Démontage en ligne.
- Joint sanitaire pour le modèle 90.
- Production standard: 1" – 3"; normes DIN, SMS, RJT BS, ISS IDF, Clamp, Gas, Eno, Macon.

VÁLVULAS DE BOLA EXTRAÍBLES

- Desmontaje en línea.
- Junta sanitaria en el modelo 90.
- Producción estándar: 1" – 3"; normas DIN, SMS, RJT BS, ISS IDF, Clamp, Gas, Eno, Macon.



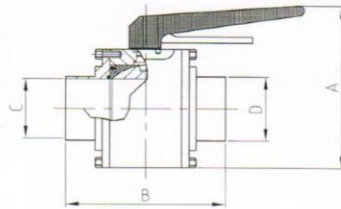
91 90

- | | | |
|---|--|---|
| 1. Corpo valvola
Valve body
Corps vanne
Cuerpo | 7. Guarnizione
Gasket
Joint
Junta | 12. Anello di tenuta OR
OR seal ring
Joint torique
Junta OR |
| 2. Sfera
Ball
Boule
Bola | 8. Distanziale
Spacer
Entretoise
Distanciador | 13. Anello di tenuta OR
OR seal ring
Joint torique
Junta OR |
| 3. Flangia
Flange
Bride
Brida | 9. Rondella
Washer
Rondelle
Arandela | 14. Vite esagonale
Hexagonal screw
Vis hexagonale
Tornillo hexagonal |
| 4. Perno
Spindle
Pivot
Perno | 10. Maniglia
Handle
Poignée
Maneta | 17. Vite brugola
Allen screw
Vis Allen
Tornillo Allen |
| 6. Guarnizione sanitaria
Sanitary gasket
Joint sanitaire
Junta sanitaria | 11. Anello di tenuta OR
OR seal ring
Joint torique
Junta OR | 18. Rondella
Washer
Rondelle
Arandela |



V. SFERA ESTR. SAN. EL.
SAN. EXTR. BALL V. PE.
V. BOULE EXTR. SAN. BL.
V. BOLA EXTR. SAN. EL.

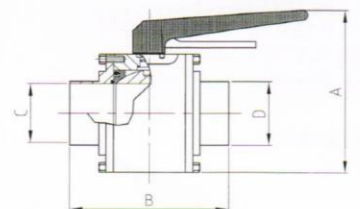
W90



DN	A	B	C	D	gr
1" 25	110,0	95,0	22,1	25,4	1.130
1 1/2" 38	130,0	109,0	35,0	38,1	2.070
2" 51	145,0	124,0	47,5	50,8	2.800
2 1/2" 63	168,0	135,0	60,0	63,5	4.840
3" 76	182,0	158,0	72,0	76,2	7.480

V. SFERA ESTRAIBILE EL.
EXTRACTABLE B. V. PE.
V. B. EXTRACTIBLE BL.
V. BOLA EXTRAÍBLE EL.

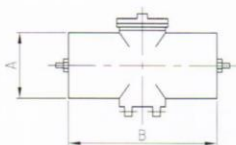
W91



DN	A	B	C	D	gr
1" 25	110,0	95,0	22,1	25,4	1.120
1 1/2" 38	130,0	109,0	35,0	38,1	2.060
2" 51	145,0	124,0	47,5	50,8	2.780
2 1/2" 63	168,0	135,0	60,0	63,5	4.820
3" 76	182,0	158,0	72,0	76,2	7.450

C. PNEUMATICO DE.
PNEUMATIC ACT. DE.
VÉ. PNEUMATIQUE DE.
CIL. NEUMÁTICO DE.

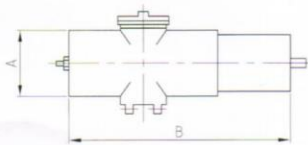
7C1 L



DN	A	B	gr
25/52	60,0	138,5	1.460
63/85	76,0	161,0	2.100
101/104	89,0	180,0	2.960

C. PNEUMATICO SE.
PNEUMATIC ACT. SE.
VÉ. PNEUMATIQUE SE.
CIL. NEUMÁTICO SE.

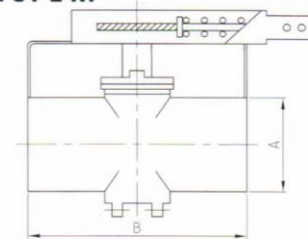
7C2 L



DN	A	B	gr
25/52	76,0	240,0	2.190
63/85	89,0	260,0	3.150

C. PNEUM. REGOL. FLUSSO
REGUL. FLUX PNEUM. ACT.
VÉ. PNEUM. RÉGULATION
CIL. NEUM. REGULACIÓN

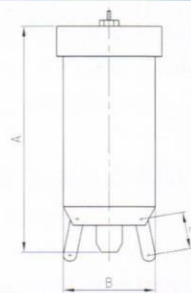
7C1 L M



DN	A	B	gr
25/104	89,0	180,0	4.160

C. PNEUM. SE. VERTICALE
PNEUM. ACT. SE. VERTICAL
VÉ. PNEUM. SE. VERTICALE
CIL. NEUM. SE. VERTICAL

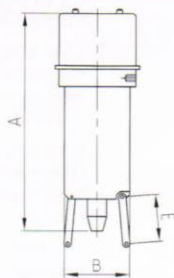
7C4 L



DN	A	B	E	gr
25/52	241,0	76,0	64,0	3.700
63/104	235,0	76,0	58,0	3.700

C. PNEUM. UNITÀ CONTR.
CONTR. UNIT PNEUM. ACT.
VÉ. PNEUM. UNITÉ CONTR.
CIL. NEUM. UNIDAD CONTR.

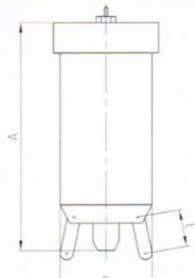
7C4 UC



DN	A	B	E	gr
25/52	241,0	76,0	64,0	3.900
63/104	235,0	76,0	58,0	3.900

C. PNEUM. DE. VERTICALE
PNEUM. ACT. DE. VERTICAL
VÉ. PNEUM. DE. VERTICALE
CIL. NEUM. DE. VERTICAL

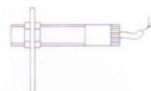
7C5 L



DN	A	B	E	gr
25/52	241,0	76,0	64,0	3.700
63/104	235,0	76,0	58,0	3.700

CONTATTO DI PROSSIMITÀ
PROXIMITY CONTACT
CONTACT DE PROXIMITÉ
MICROSENSOR

013 0

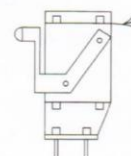


013 S



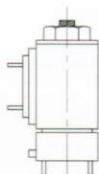
MICROINTERRUTTORE
MICROSWITCH
MINIRUPTEUR
MICRORRUPTOR

014 1



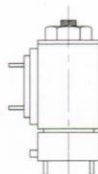
ELETTROVALVOLA NA.
SOLENOID VALVE NO.
ÉLECTROVANNE NO.
ELECTROVÁLVULA NA.

015 NA



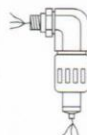
ELETTROVALVOLA NC.
SOLENOID VALVE NC.
ÉLECTROVANNE NF.
ELECTROVÁLVULA NC.

015 NC



CONNETTORE
CONNECTOR
CONNECTEUR
CONECTOR

030 H



030 S



CAPPELOTTO
CAP
CAPOT
CAPUCHÓN

700 4 13

