



Tower Series

External lighting



Indirect bollards offered in various heights, rooted or flanged. Suitable for paths, gardens or plaza areas.

Construction: Extruded, spun and die cast aluminium. IP54.

Lens: Glass - clear.

Installation: Bollard mounted on separate base plate of 176mm diameter. Rooted version on request.

Finish: Grey RAL 9006 as standard. Other colours on request (with white or grey RAL 9006 on the underside of reflector).

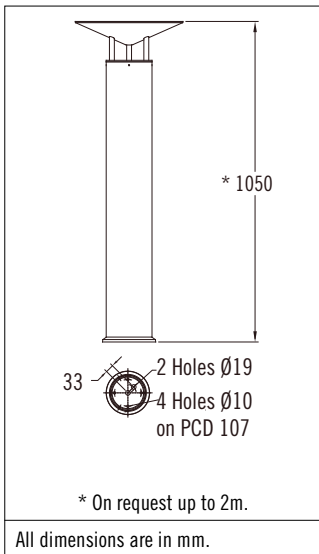
Lamps: 35w to 70w Metal Halide PAR.

Gear: Internal.

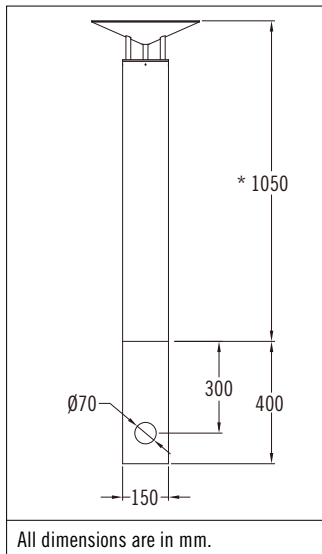


DIMENSIONS

FLANGE MOUNTED VERSION



ROOTED VERSION



APPLICATION GUIDE

Tower Bollard
70w MH
Standard Height
Contours in Lux
M. Factor = 0.8

ORDERING CODE

Code Flanged	Code Rooted	Lamp Type	Description
5TWR09HGA	5TWR09HGC	35w MH PAR	1m Indirect Bollard, E27
5TWR13HGA	5TWR13HGC	70w MH PAR	1m Indirect Bollard, E27

OPTIONS

RAL: Pls specify
HGT: Pls specify