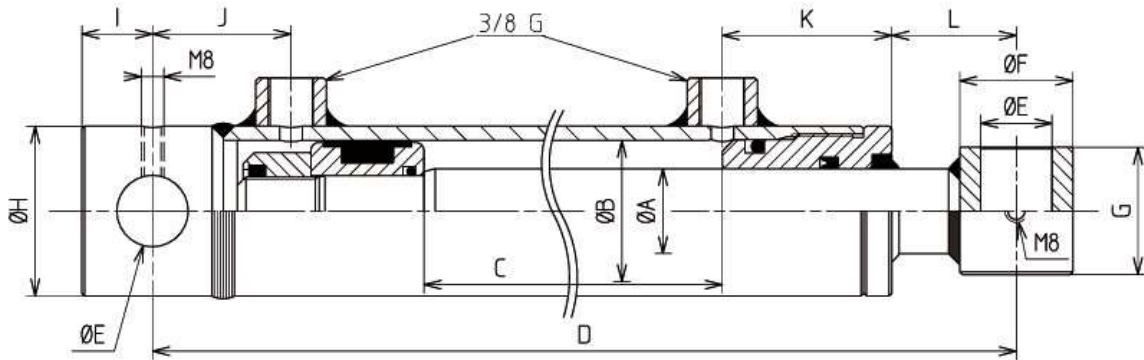


**VERIN DOUBLE EFFET STANDARD
DOPPELTWIRKENDER STANDARTZYLINDER
DOUBLE ACTING STANDARD CYLINDER**



REFERENCE	TYPE		FORCE DE POUSSEE	FORCE DE TRACTION	COURSE C	ENCOMBREMENT								
	TYP		DRUCK KRAFT	ZUG KRAFT		HUB C	MASS							
	TYPE		PUSHING PRESSURE	PULLING PRESSURE			STROKE C	DIMENSION						
REFERENZ	Ø A	Ø B	180 BARS			D		E	F	G	H	I	J	K
REFERENCE	Tige Stange Rod	Alésage Bohrung Cylinder bore	180 BARS											
2541	25	40	2T 262	1T 378	100	290	17,00	40	40	50	20	44	60	44
2542					200	390								
2543					300	490								
2544					400	590								
2545					500	690								
3052	30	50	3T 534	2T 262	200	400	25,25	40	45	60	25	49	60	49
3053					300	500								
3054					400	600								
3055					500	700								
3056					600	800								
3057					700	900								
3562	35	60	5T 089	3T 357	200	400	25,25	40	45	70	25	49	60	49
3563					300	500								
3564					400	600								
3565					500	700								
3566					600	800								
35067					700	900								
4072	40	70	6T 926	4T 665	200	410	30,25	50	55	80	30	49	60	53
4073					300	510								
4074					400	610								
4075					500	710								
4076					600	810								
4077					700	910								
4583	45	80	9T 047	6T 184	300	510	30,25	50	55	90	30	49	60	44
4584					400	610								
4585					500	710								
4586					600	810								
4587					700	910								
50103	50	100	14T 135	10T 601	300	540	30,25	60	70	115	30	49	83	51
50104					400	640								
50105					500	740								
50107					700	940								
50109					900	1140								