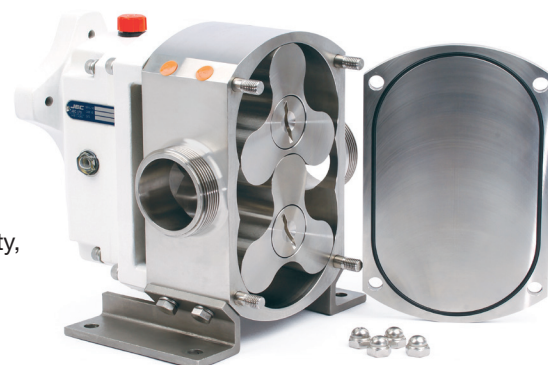


# JEC

## Truck pump JTP

### Description

The JTP Rotary Lobe Pumps are designed for lorry and truck use with better capacity, higher pressure and incredible better performance with a variety of viscosities. This allows faster loading and unloading of the tanker.



### Your benefits

- High cleanable thanks to a unique sealing system
- A surface quality  $Ra < 0.6 \mu m$  and minimal dead space in the sealing area.
- Wetted parts made of stainless steel 316L.
- Front-accessible seals allow easier and faster maintenance - without disassembling the pump housing.

### Technical details

Max. flow	1141 l/min	Max. viscosity	100.000 mPas
Max. pressure	15 bar	Temperature range	-10 up to +150 °C
Max. rotation speed	700 rpm	Surface finish	$Ra 0,6 \mu m$
Connections	DIN, ISO, Tri-Clamp, SMS, Flange	Certificats	3A, EHEDG, FDA, EC 1935/2004, ATEX

### Summary

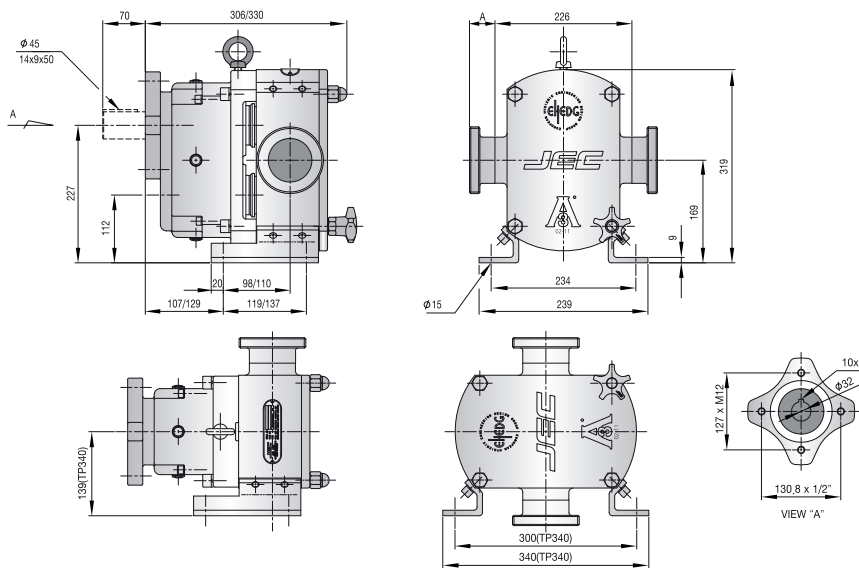
Size	Model	Flow (rpm min <sup>-1</sup> )	Standard connections (mm)	Max. pressure (bar)	Max. rotation speed (rpm)
200	JTP220-078-15	0,78	50	15	700
	JTP230-107-10	1,07	76	10	700
300	JLT330-1116-12	1,16	76	12	700
	JTP330-116-12	1,16	76	12	700
	JTP340-163-08	1,63	100	8	700

# JEC

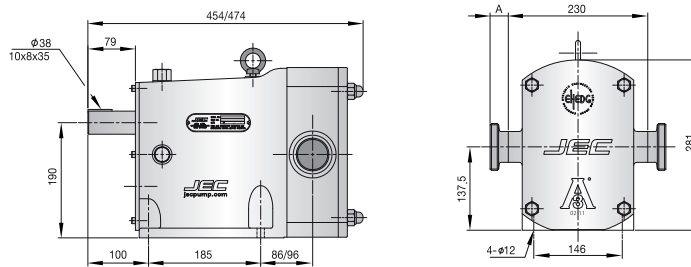
## Truck pump JTP

### Dimensions

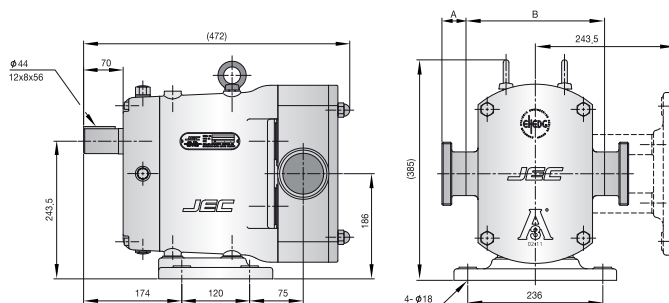
#### JTP330/340



#### JTP220/230



#### ZLT330



All dimensions in mm (dimensions are approx. values)

Find your local supplier at [www.verderliquids.com](http://www.verderliquids.com)

For construction, installation and floor mounting drawings please contact your local authorised distributor.

**VERDER**  
passion for pumps

