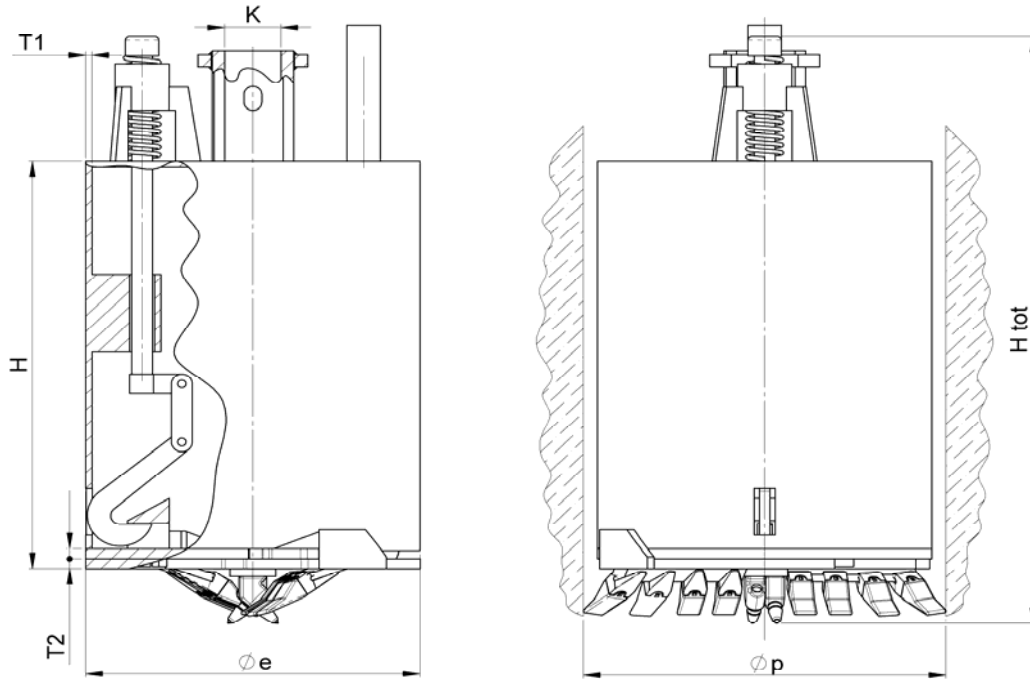
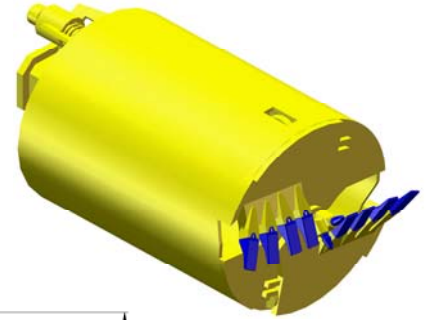


Bucket doppio fondo per argilla Double bottom bucket for clay



Diametro di perforazione	Diametro fusto	Spess. fusto	Spess. Fondo *	N°Denti		Altezza fusto	Altezza totale	Lato int. att. quadro	Peso		Codice
Drilling Diameter	Drum Diameter	Drum wall thick.	Bottom wall thick.*	Number of teeth		Drum Height	Total Height	Kelly Box dimension	Weight		Part Number
Øp (mm)	Øe (mm)	T1 (mm)	T2 (mm)*	TL 18	T 25	H (mm)	H tot (mm)	K (mm)	kg	lbs	
400	340	15	30 + 30	4	-	1000	1600	130	323	712	BdFA040-1-00L-33
								200	383	844	BdFA040-2-00L-33
						1500	2100	130	452	997	BdFA040-1-05L-33
								200	512	1129	BdFA040-2-05L-33
500	440	15	30 + 30	6	-	1000	1600	130	429	945	BdFA050-1-00L-33
								200	489	1077	BdFA050-2-00L-33
						1500	2100	130	600	1323	BdFA050-1-05L-33
								200	660	1455	BdFA050-2-05L-33
600	540	15	30 + 30	6	-	1000	1600	130	539	1189	BdFA060-1-00L-33
								200	599	1321	BdFA060-2-00L-33
						1500	2100	130	755	1664	BdFA060-1-05L-33
								200	815	1796	BdFA060-2-05L-33
700	640	15	30 + 30	8	-	1000	1600	130	654	1443	BdFA070-1-00L-33
								200	714	1575	BdFA070-2-00L-33
						1500	2100	130	916	2020	BdFA070-1-05L-33
								200	976	2152	BdFA070-2-05L-33
800	740	15	30 + 30	8	-	1000	1600	130	775	1708	BdFA080-1-00L-33
								200	835	1840	BdFA080-2-00L-33
						1500	2100	130	1084	2391	BdFA080-1-05L-33
								200	1144	2523	BdFA080-2-05L-33
900	840	15	30 + 30	10	-	1000	1600	130	900	1983	BdFA090-1-00L-33
								200	960	2115	BdFA090-2-00L-33
						1500	2100	130	1259	2776	BdFA090-1-05L-33
								200	1319	2909	BdFA090-2-05L-33

Diametro di perforazione	Diametro fusto	Spess. fusto	Spess. Fondo *	N° Denti		Altezza fusto	Altezza totale	Lato int. att. quadro	Peso		Codice
<i>Drilling Diameter</i>	<i>Drum Diameter</i>	<i>Drum wall thick.</i>	<i>Bottom wall thick.*</i>	<i>Number of teeth</i>		<i>Drum Height</i>	<i>Total Height</i>	<i>Kelly Box dimension</i>	<i>Weight</i>		<i>Part Number</i>
$\varnothing p$ (mm)	$\varnothing e$ (mm)	T1 (mm)	T2 (mm)*	TL 18	T 25	H (mm)	H tot (mm)	K (mm)	kg	lbs	
1000	940	15	30 + 30	-	10	1000	1600	130	1029	2269	BdFA100-1-00L-33
								200	1089	2402	BdFA100-2-00L-33
						1500	2100	130	1441	3177	BdFA100-1-05L-33
								200	1501	3309	BdFA100-2-05L-33
1200	1140	20	30 + 30	-	12	1000	1600	130	1303	2873	BdFA120-1-10L-33
								200	1363	3006	BdFA120-2-10L-33
						1500	2100	130	1825	4023	BdFA120-1-15L-33
								200	1885	4155	BdFA120-2-15L-33
1400	1340	20	40 + 40	-	14	1000	1600	130	1597	3520	BdFA140-1-10L-44
								200	1657	3653	BdFA140-2-10L-44
						1500	2100	130	2235	4928	BdFA140-1-15L-44
								200	2295	5061	BdFA140-2-15L-44
1500	1440	20	40 + 40	-	15	1000	1600	130	1751	3860	BdFA160-1-10L-44
								200	1811	3992	BdFA160-2-10L-44
						1500	2100	130	2451	5403	BdFA160-1-15L-44
								200	2511	5536	BdFA160-2-15L-44
1800	1740	20	40 + 40	-	18	1000	1600	130	2241	4942	BdFA180-1-10L-44
								200	2301	5074	BdFA180-2-10L-44
						1500	2100	130	3138	6918	BdFA180-1-15L-44
								200	3198	7051	BdFA180-2-15L-44
2000	1940	20	40 + 40	-	20	1000	1600	130	2593	5716	BdFA200-1-10L-44
								200	2653	5848	BdFA200-2-10L-44
2500	2440	20	50 + 50	-	24	1000	1600	130	3556	7839	BdFA250-1-10L-55
								200	3616	7971	BdFA250-2-10L-55
2700	2640	20	50 + 50	-	26	1000	1600	130	3975	8763	BdFA270-1-10L-55
								200	4035	8895	BdFA270-2-10L-55
			50 + 50	-	30			130	4639	10228	BdFA300-1-10L-55
								200	4699	10360	BdFA300-2-10L-55