

3000 SERIES

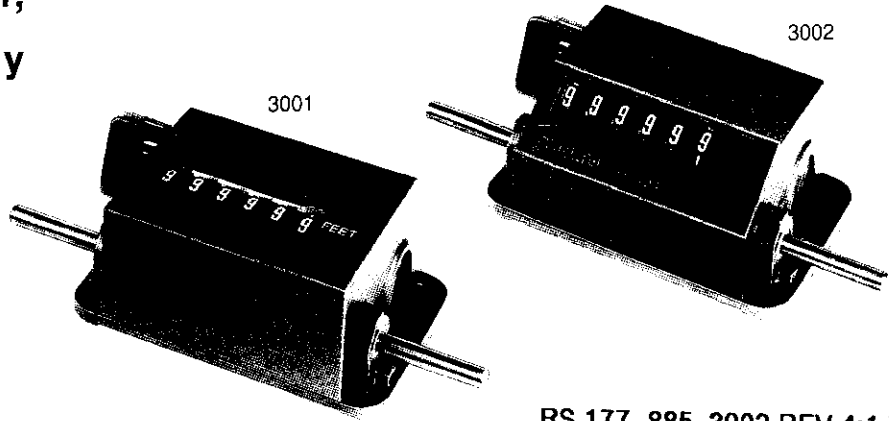
1 3001/3002 revolution, 3003/3004 heavy duty and 3007/3008 large figure revolution totalisers

RS 260-842 3003 REV 2:1 TC
RS 260-858 3003 REV 2:1 TG

3001/3002 and 3003/3004

These units count revolutions on many different types of production machinery. The models shown are the basic units; variations are available to special order. All models are robustly constructed for continuous operation at high speeds with the main shaft running in double oil impregnated bearings to ensure accurate, long term, trouble free service.

- 6 digit 6.4mm (0.25in) readout.
- Up to 3000 counts per minute with 1:1 gear ratio.
- Top or Front viewing models available.
- 1:1, 1:10, 2:1, 3:1, 4:1 gearings as standard.
- Customised gearing available on all models (but some gearings may have fewer digits on the readout).
- Reset to zero and non-reset models available.
- Reset by lever, or cylindrical lock and key.



These counters can be driven from either or both sides. All resettable models can have the reset lever on the left or the right. A non-reset model is also available.

3001/3002 have 6.35mm (0.25in) diameter drive shafts. 3003/3004 have 10mm (0.394in) diameter drive shafts. Measuring wheels and shaft adaptors are shown in section 9 of this catalogue.

3007/3008

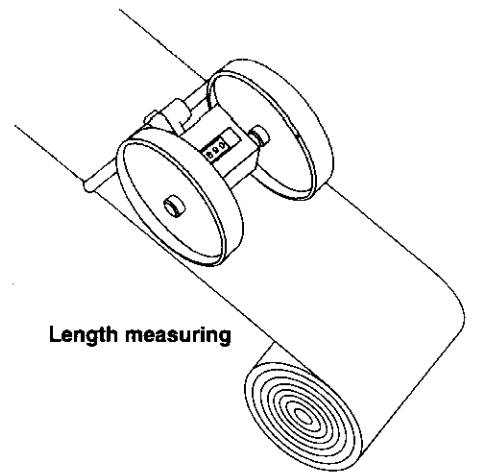
These models have large 5 digit 9.5mm (0.37in) readouts. Otherwise the specification is as for the 3001 and 3002. 6 digit models are also available (depending on gearing required)

- Large 5 digit 9.5mm (0.39in) readout.
- Top or front viewing models available.
- Reset to zero and non reset models available.

RS 177-885 3002 REV 4:1 TC

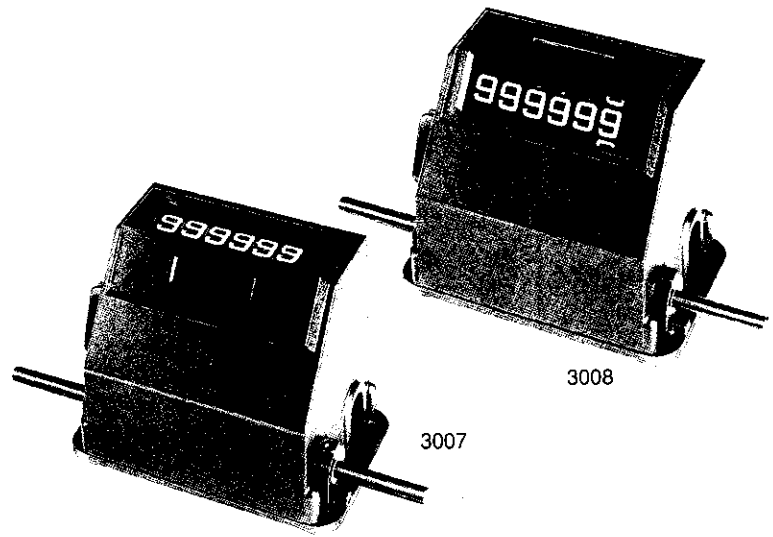
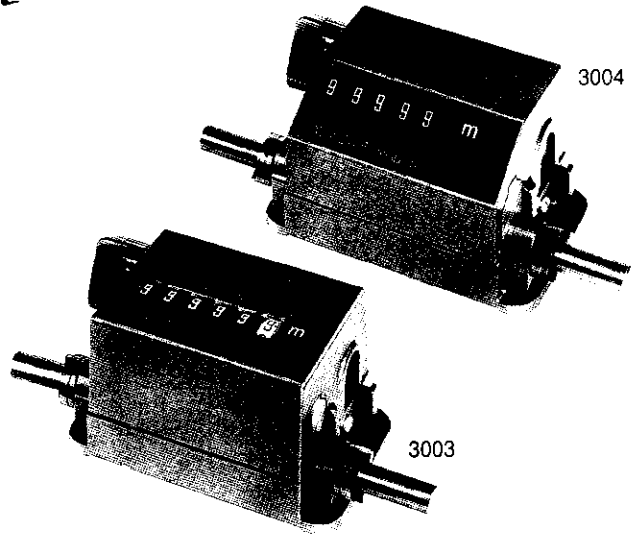
Typical Applications

- *Length measurement from measuring wheel
- *Positioning
- *Coil Winding
- *Length measurement from rollers

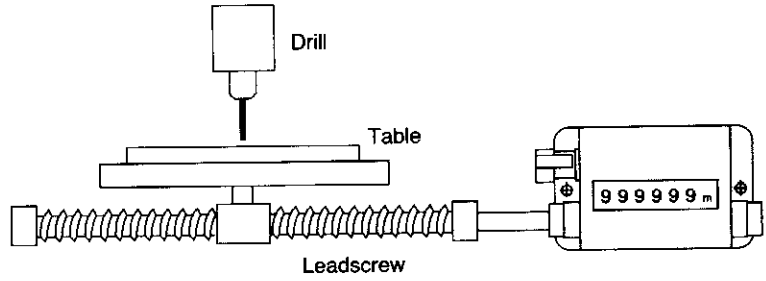


Mechanical Totalising Counters

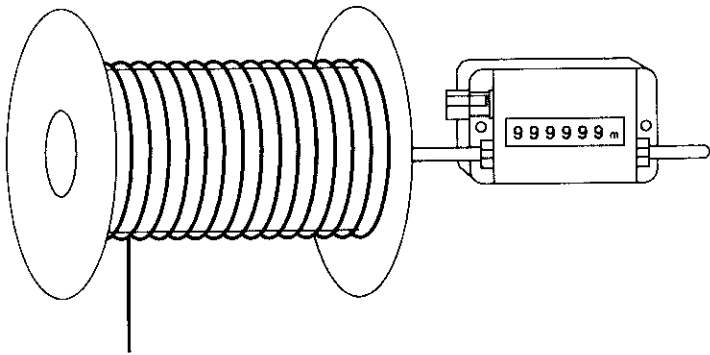
1



Positioning



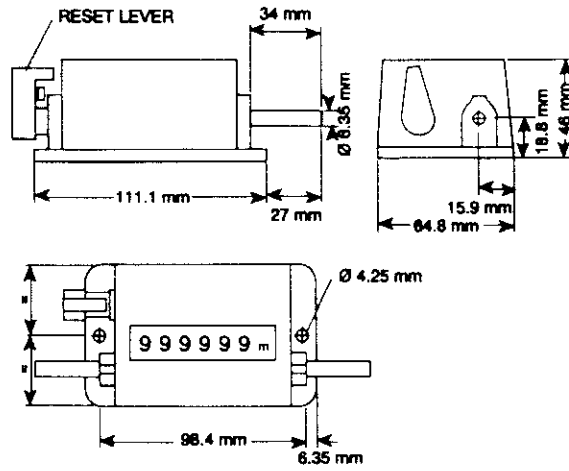
Coil Winding



Dimensions

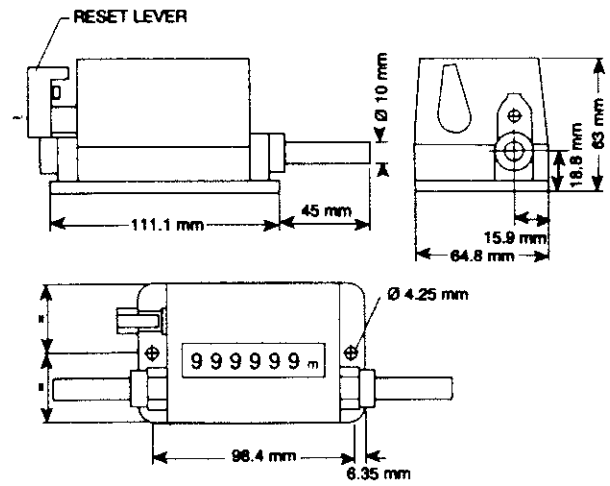
3001/3002

46mm (1.82in)H 111mm (4.37in)W 65mm (2.55in)D



3003/3004

63.5mm (2.5in)H 111mm (4.37in)W 65mm (2.55in)D



3007/3008

93mm (3.65in)H 111mm (4.37in)W 65mm (2.55in)D

