

# Barriere per bordo laterale su rilevato

Single sided guardrails



# steel safety on roadways

Require Marcegaglia Buildtech full range of steel road safety barriers: from the **steel partner**, steel safety on roadways.

Marcegaglia Buildtech safety barriers solutions are part of Marcegaglia steel production chain and are engineered, assembled then **tested** in order to comply with specific **norm requirements**.

## Certificazioni

*Certifications - Zertifizierungen - Certifications - Certificaciones*

- **RINA ISO 9001:2008** certificato N. 12370/05/S
- **IQNet - CISQ/RINA** Quality Management System **ISO 9001:2008** Registration N. IT-42009
- **Certificati CE** di costanza della prestazione

## Crash tests

*Crash tests - Crash-Tests - Essais de chocs - Crash tests*



## Classe H2 Bordo Laterale - Barriera 3 onde singola su rilevato W8

Class H2 Roadside - 3-waves single sided guardrail W8

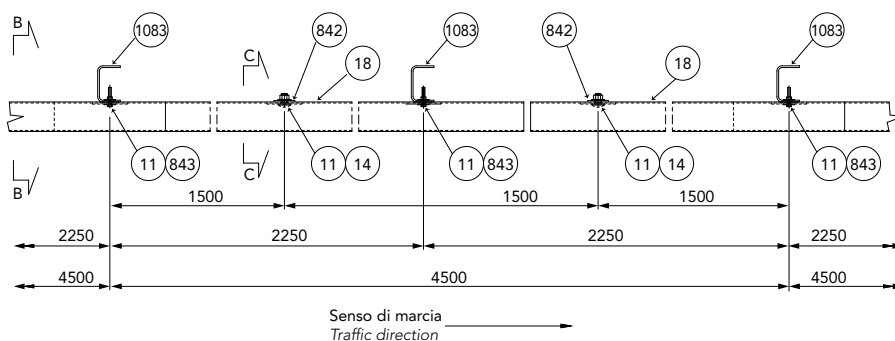
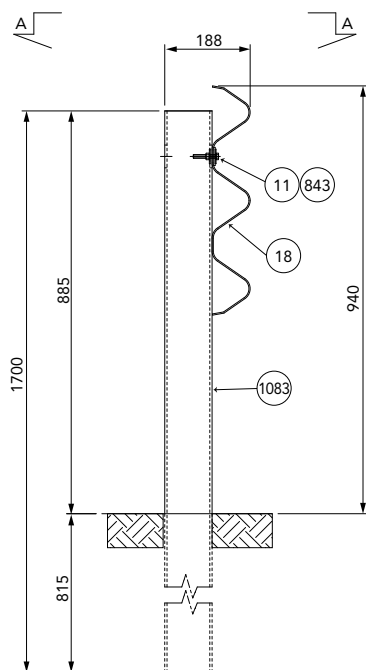
Aufhaltestufe H2 für rammfähige Böden - 3-welliges Rückhaltesystem W8

Classe H2 Bord latéral - Glissière 3 crosses simple sur remblai W8

Clase H2 Borde lateral - Barrera de triple onda simple sobre base terreno W8

# H2-W8

## 3-waves



### Caratteristiche Characteristics, Eigenschaften, Caractéristiques, Características

<b>Altezza fuori terra</b> Height above ground level, Höhe über Grundboden, Hauteur hors sol, Altura sobre el suelo	940 mm
<b>Profondità d'infissione</b> Depth of penetration, Rammtiefe, Profondeur de piling du poteau, Longitud hincada	815 mm
<b>Ingombro trasversale</b> Overall width, Gesamtbreite, Grosseur hors tout, Anchura total	188 mm
<b>Interasse pali</b> Post spacing, Steherabstand, Distance entre poteaux, Distancia entre postes	2250 mm

### Rapporti di prova Crash test reports, Testberichte, Comptes rendus d'essais, Relaciones de pruebas

Test n.	Facility	Test	Type	Barrier length m	Mass kg	Speed km/h	ASI max 1.4	THIV max 33 km/h	D m	Vi m	W m
PROVA 687	Aisico	TB51	Laterale 20°	94,5	13.000	70	-	-	3,4	3,8	3,5=W8
PROVA 686	Aisico	TB11	Laterale 20°	94,5	900	100	0,7=A	23	0,9	-	1,1=W4

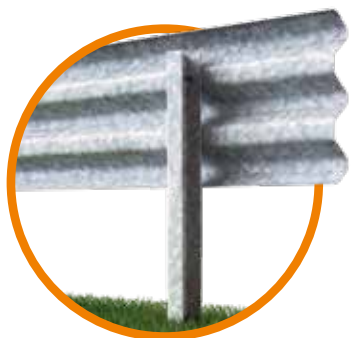
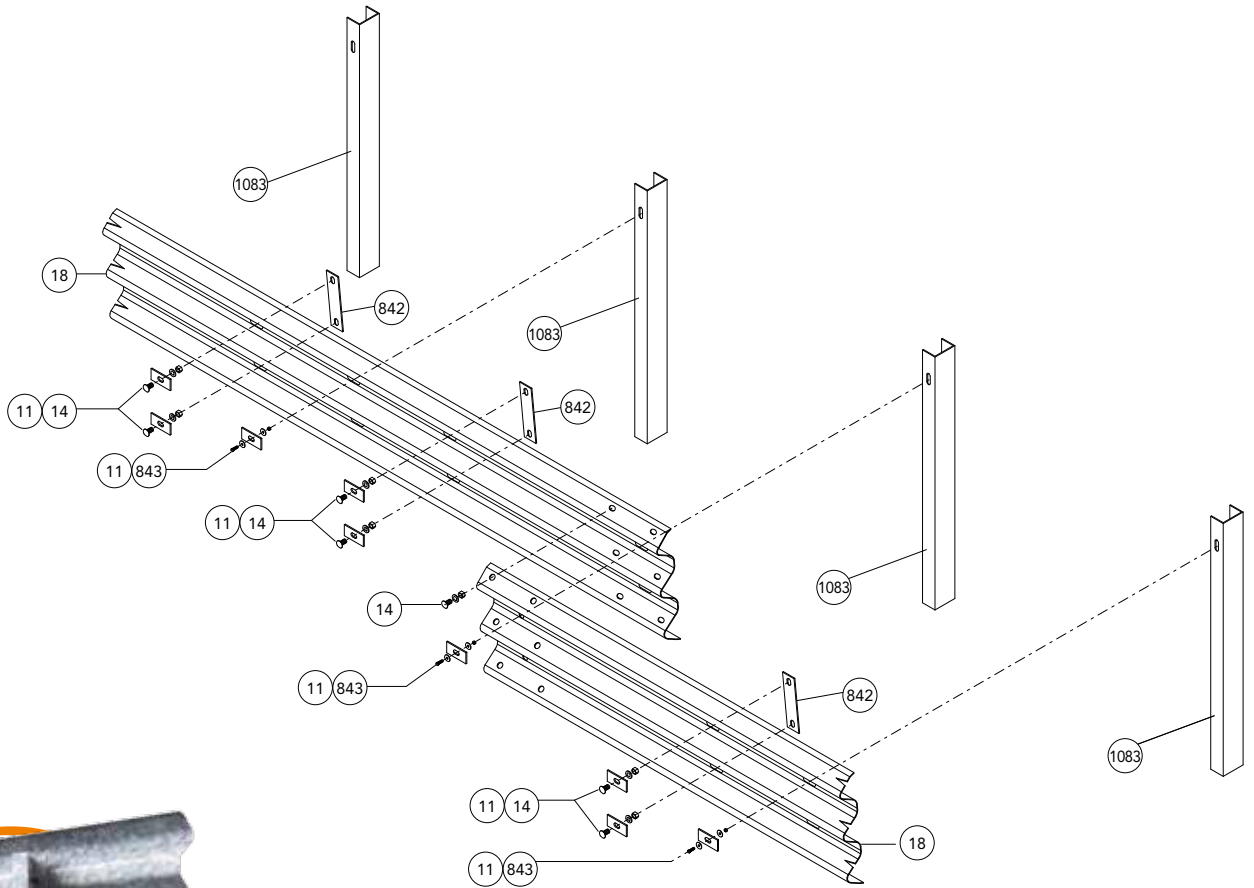
Sales office:

**MARCEGAGLIA BUILDTECH guardrail division**  
 strada Roveri, 4  
 15068 Pozzolo Formigaro, Alessandria - Italy  
 phone +39 . 0143 77 61 • fax +39 . 0143 77 63 53

guardrail@marcegaglia.com  
 www.marcegagliabuildtech.it

Plants:

**MARCEGAGLIA BUILDTECH Pozzolo Formigaro**  
 strada Roveri, 4  
 15068 Pozzolo Formigaro, Alessandria - Italy  
 phone +39 . 0143 77 61 • fax +39 . 0143 77 63 53



Componenti Components, Bauteile, Composants, Elementos			
	Descrizione Description		Materiale Material
842	<b>Piastrina irrigidimento fascia 3 onde</b> <i>Stiffening plate for 3-waves profile, Versteifungsplättchen für 3-wellige Leitschiene, Plaque de renfort profil 3 crosses, Placa de arriostrado banda triple onda</i>	250x60 Th=4 mm	S 235 JR
1083	<b>Palo "U"</b> <i>U-post, U-Steher, Poteau en U, Poste "U"</i>	104x65 Th=4 H=1700 mm	S 235 JR
18	<b>Fascia 3 onde (in alternativa)</b> <i>3-waves beam (as alternative), 3-wellige Leitschiene (als Alternative), Glissière 3 crosses (en alternative), Banda triple onda (como alternativa)</i>	Th=2,5 mm	S 235 JR
		L=4816 (2250x2) Th=2,5 mm	S 235 JR
843	<b>Bullone completo</b> <i>Bolt with nut and washer, Schraube komplett, Boulon complet, Tornillo completo con tuerca y arandela</i>	M8x50 mm	Classe 8.8
14		M16x30 mm	Classe 8.8
11	<b>Piastrina copriasola</b> <i>Slot covering plate, Lochabdeckplatte, Plaque de couverture fente, Placa cubre-ranura</i>	100x40x4 mm	S 275 JR