

Verderflex

Dura 35



VERDERFLEX®

Description

The Verderflex Dura 35 is a compact, high pressure medium flow hose pump with superior secondary containment. Designed for dosing, metering, sampling, high lift or medium head applications in brewing, chemical processing, industrial plants, water treatment and effluent and waste water processing

Features and benefits

- Ideal for abrasive or high solid content slurries
- Self Priming, problem free pumping of gaseous liquids
- Easily pumps viscous liquids
- Gentle low shear pumping action
- Dry running capabilities
- Long life hoses
- No seals or valves
- FDA CFR21 and EC/1935, optional ATEX

Technical data

| | | | |
|----------------------------|----------|-----------------------------------|---------|
| Maximum Flow Rate | 5292 l/h | Maximum Medium Temperature | 80°C * |
| Maximum Discharge Pressure | 16 bar | Maximum Incompressible Solid Size | 3.5 mm |
| Maximum Suction Lift | 9.5 mwc | Maximum Compressible Solid Size | 8.75 mm |
| Hose ID | 35 mm | | |

* Continuous use with NR hose

Materials

| Description | Material | Paint Detail |
|----------------|---|---------------------|
| Pump Housing | Cast Iron (GG25) | Green Powder Coated |
| Front Cover | Carbon Steel with Plexiglass Inspection Window | Powder Coated |
| Rotor | Cast Iron (GG25) | |
| Drive Shaft | EN24T Steel | |
| Port Flange | 316 Stainless Steel Universal slotted design fits with DIN PN16, ANSI 150# & JIS10K Options: 304 Stainless Steel with Polypropylene or P.V.D.F Insert | |
| Mounting Frame | Carbon Steel | Powder Coated |
| Gearbox Flange | Aluminium | |
| Bearing | Bearing Steel | |
| Shaft Seal | Viton Option: PTFE | |
| Lubricant | Verderlube - Glycerine based lubricant Verdersil - Silicone based lubricant | |
| Hose | Natural Rubber (NR) Options: Nitrile Buna Rubber (NBR) Ethylene Propylene Diene Monomer (EPDM), Food Grade Nitrile Buna (NBRF), Hypalon® (CSM) and Verderprene | |
| Weight | Complete pump excluding drive: 70 kg | |



Verderflex

Dura 35

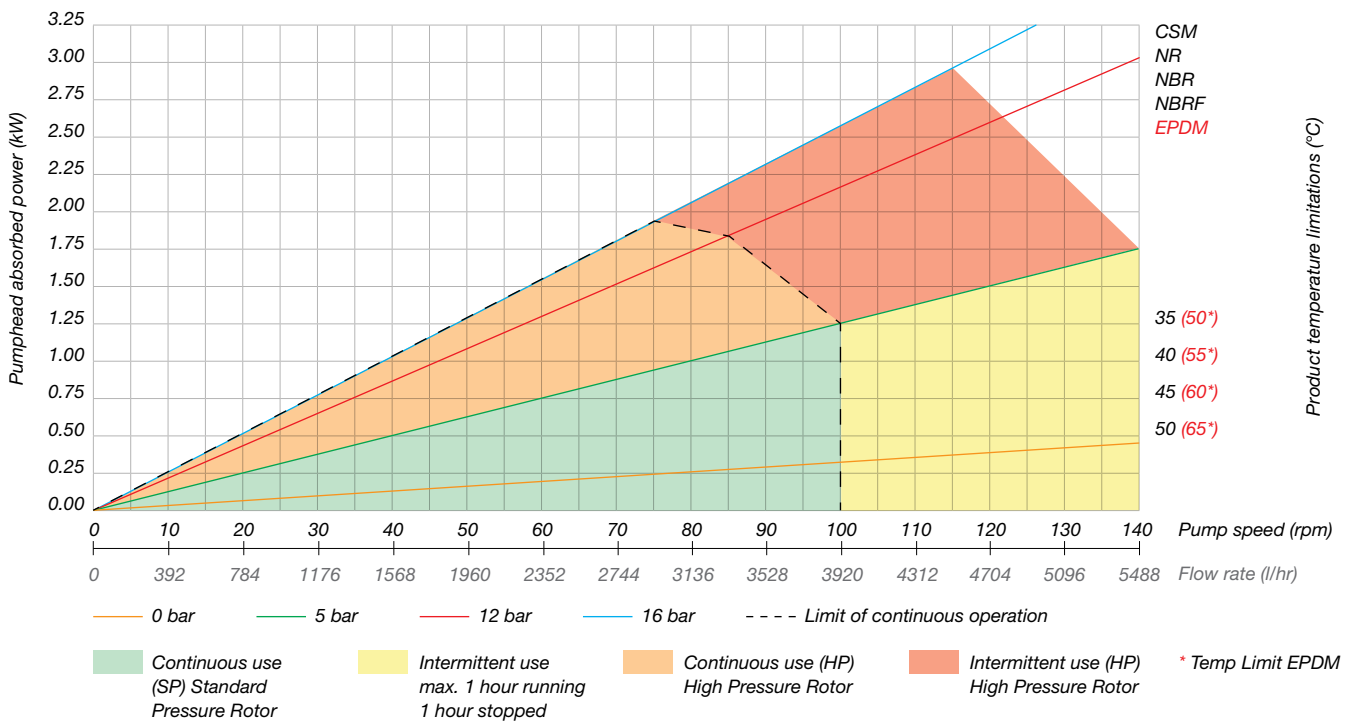


VERDERFLEX®

Standard Pump Options for 50Hz Motor Fitted With Worm Gearbox, Suitable for Inverter Duty

| Flow l/hr | Pump Speed RPM | Installed Motor Power kW | Max Turndown at 6 Bar discharge pressure |
|-----------|----------------|--------------------------|--|
| 431 | 11 | 0.55 | 1.5:1 |
| 706 | 18 | 1.1 | 2:1 |
| 1372 | 35 | 1.1 | 2:1 |
| 1842 | 47 | 1.5 | 2:1 |
| 2744 | 70 | 2.2 | 3:1 |

Performance curve



Any application below 15 Hz may require special review. Flows are typical and were measured with water at 20°C with no suction lift or discharge pressure. Actual flows will vary according to suction conditions, discharge pressure and normal component production tolerances.

DURA PUMPS OPERATING ABOVE 6 BAR REQUIRE CONSULTATION WITH MANUFACTURER OR DISTRIBUTOR.



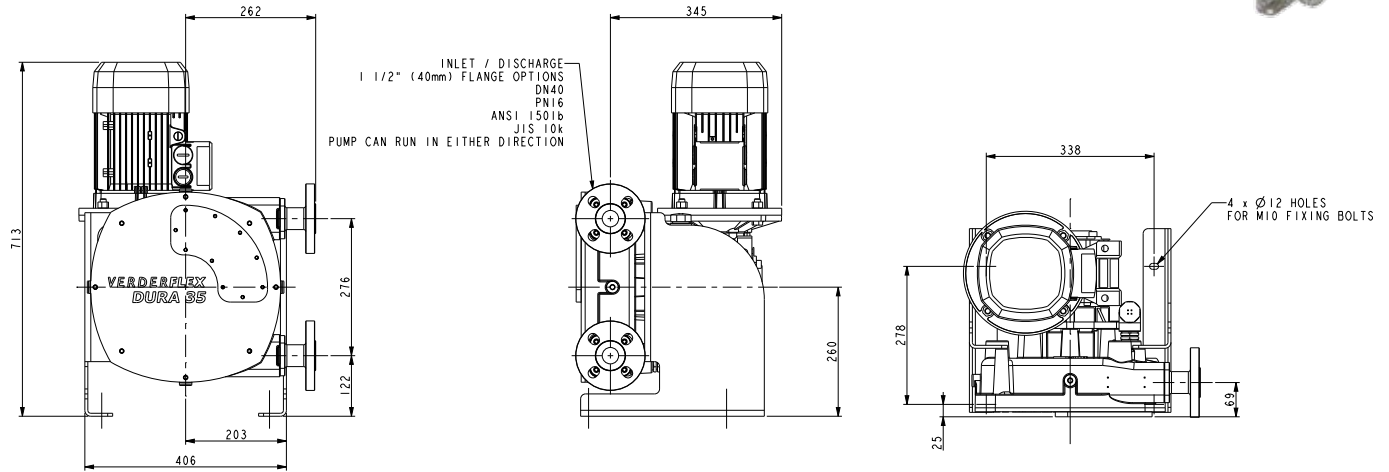
Verderflex

Dura 35



VERDERFLEX®

Dimensions



All dimensions are in mm.

All dimensions and weights are for guidance only.

VF_Dura_35_Technosheet_rev01_2016_(eu)



Find your local supplier at www.verderflex.com

For construction, installation and floor mounting drawings
please contact your local authorised Verderflex® distributor.

VERDER
passion for pumps