



erkat[®]

bau | stahlindustrie
bergbau | tunnel | forst

spezial fräsen

PATCH PLANER EX Series UNIVERSAL CUTTER ES Series



by Chris Goebel 11/2012



erkat[®]

bau | stahlindustrie
bergbau | tunnel | forst

spezial fräsen

PATCH PLANER EX Series UNIVERSAL CUTTER ES Series



by Chris Goebel 03/2013



| Patch Planing Technology

erkat | exactor

Patch planer attachments for asphalt and concrete with adjustable cutting depth

Recommended excavator weight

 Series EX 30	6 - 10 tons
 Series EX 45	8 - 15 tons
 Series EX 45 HD	12 - 18 tons
 Series EX 60	12 - 20 tons
 Series EX 60 HD	18 - 23 tons



The EX range of patch planers are designed for use on excavators weighing from 6 to 23 tons. These machines can repair asphalt surfaces or remove contaminated layers of concrete or screed with great accuracy. Whether working on a horizontal, vertical or angled surface, the **erkat | exactor** can be used in every situation. It can even be used upside down for planing the roofs of tunnels.

EX Patch Planer for Excavators



- Heavy duty housing over the cutter drum
- Manual, stepless cutting depth adjustment
- Water-jets integrated into the housing for effective dust suppression
- Range of high torque motors
- Robust and wear resistant support frame

Additional benefits

- Standard cutting widths from 30 to 60 cm
- Cutting depth vary from 0 to a maximum of 19 cm with the EX 60 or EX 60 HD
- High torque motors for extra productivity
- Modular construction allowing simple modification of torque / rotation speed ratios
- Flexibility regarding hydraulic motors
- Continuously variable depth adjustment
- Optimum positioning of the cutter drum for a smooth cutting action and flat cut surface
- High productivity and clean cut edges
- Cutter drums specifically designed for use in asphalt, concrete and rock



erkat[®]

bau | stahlindustrie
bergbau | tunnel | forst

spezial fräsen

EX Patch Planer for Excavators





erkat[®]

EX Patch Planer for Excavators

bau | stahlindustrie
bergbau | tunnel | forst

spezial fräsen





erkat[®]

EX Patch Planer for Excavators

bau | stahlindustrie
bergbau | tunnel | forst

spezial fräsen





erkat[®]

bau | stahlindustrie
bergbau | tunnel | forst

spezial fräsen

EX Patch Planer for Excavators





erkat[®]

bau | stahlindustrie
bergbau | tunnel | forst

spezial **fräsen**

EX Patch Planer for Excavators





erkat[®]

bau | stahlindustrie
bergbau | tunnel | forst

spezial fräsen

EX Flächenfräsen zum Anbau an Bagger



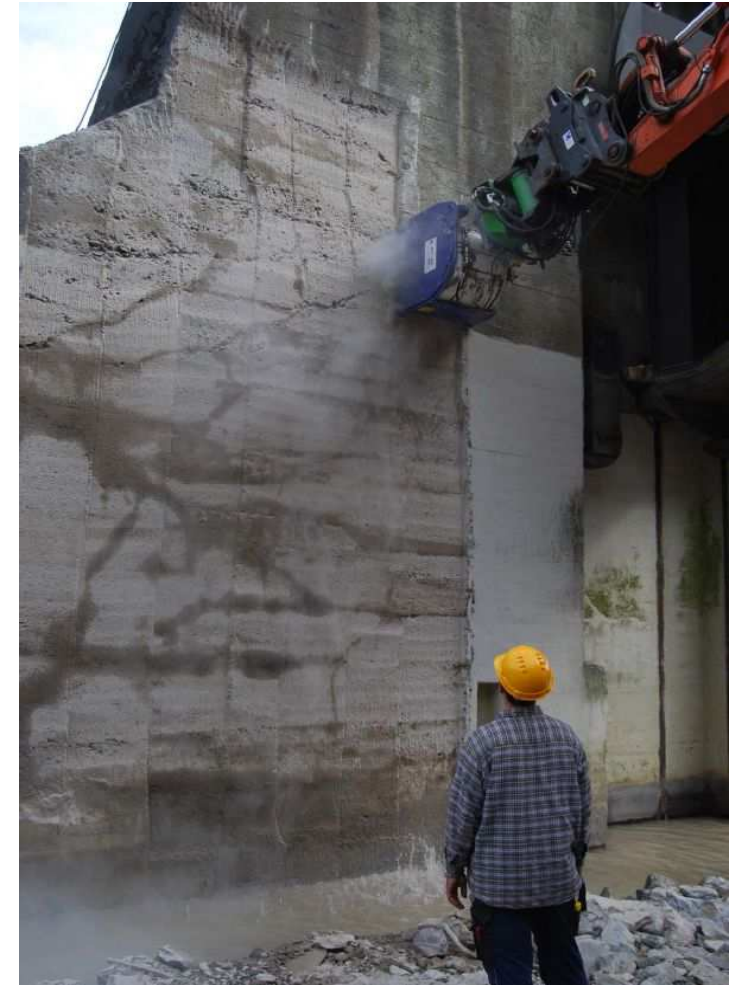


erkat[®]

bau | stahlindustrie
bergbau | tunnel | forst

spezial fräsen

EX Patch Planer for Excavators





bau | stahlindustrie
bergbau | tunnel | forst

spezial fräsen





erkat[®]

bau | stahlindustrie
bergbau | tunnel | forst

spezial fräsen

EX Patch Planer for Excavators





erkat[®]

bau | stahlindustrie
bergbau | tunnel | forst

spezial fräsen

EX Patch Planer for Excavators





erkat®

bau | stahlindustrie
bergbau | tunnel | forst

spezial fräsen

EX Patch Planer for Excavators



EX Patch Planer for Excavators



EX Patch Planer for Excavators





erkat[®]

bau | stahlindustrie
bergbau | tunnel | forst

spezial fräsen

EX Patch Planer for Excavators





erkat[®]

bau | stahlindustrie
bergbau | tunnel | forst

spezial fräsen

EX Patch Planer for Excavators





erkat[®]

bau | stahlindustrie
bergbau | tunnel | forst

spezial fräsen

EX Patch Planer for Excavators





erkat[®]

bau | stahlindustrie
bergbau | tunnel | forst

spezial fräsen

EX Patch Planer for Excavators





erkat[®]

bau | stahlindustrie
bergbau | tunnel | forst

spezial fräsen

EX Patch Planer for Excavators



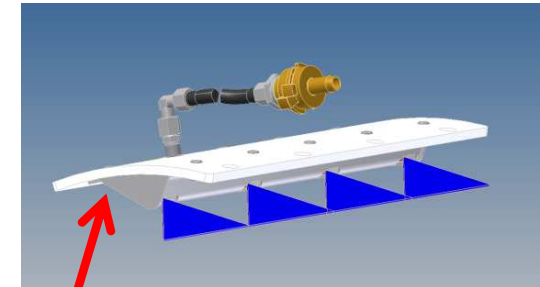
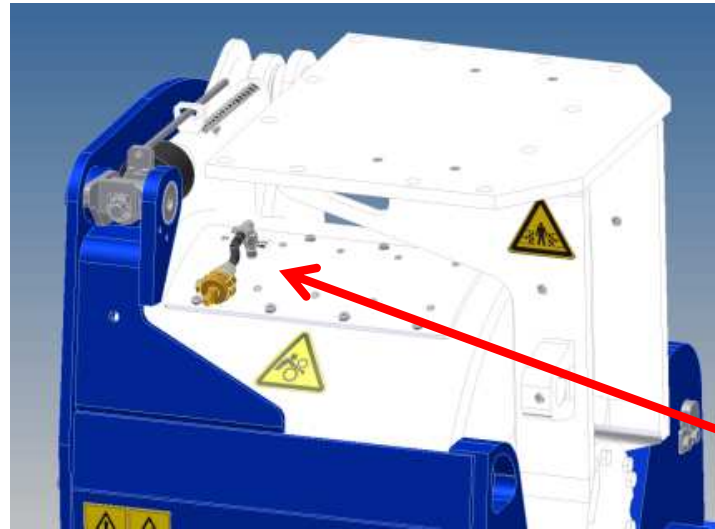
**EX 30 Patch Planer
mounted on
Brokk 260**

- **Grinding of tiled
concrete tunnel
lining**





EX Planer with Water Spray System for dust reduction while cutting

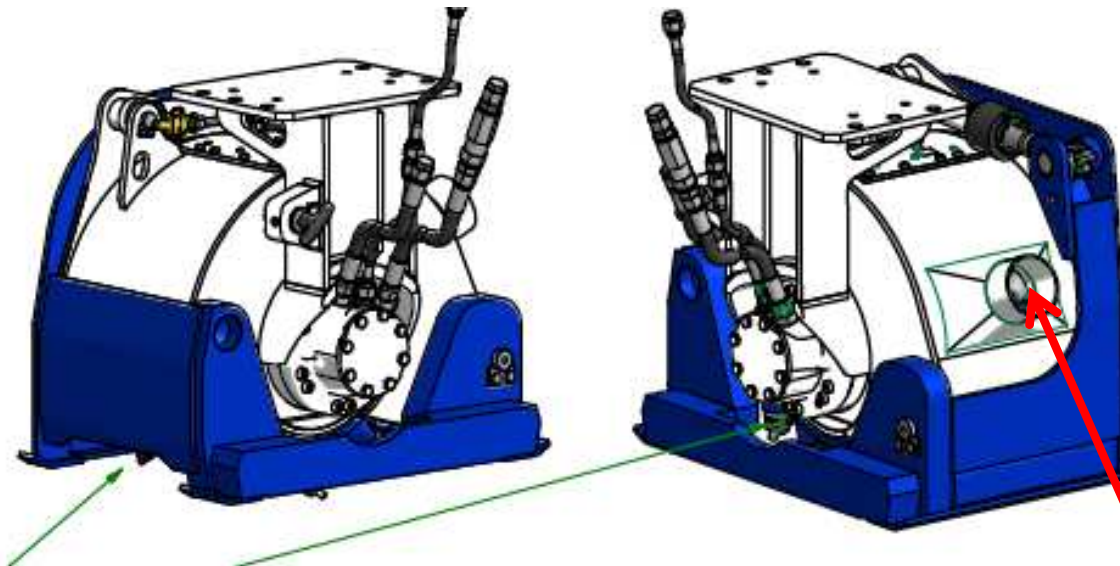


Cover Plate with integrated Water Spray nozzles



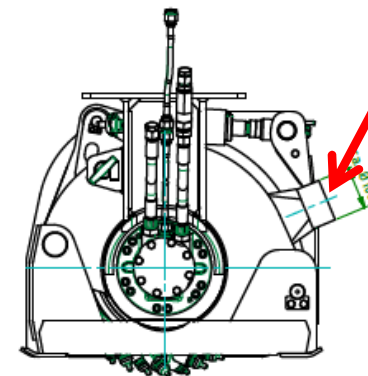


EX Planer with Protective Housing and Connector Port for Vacuum Dust Collection System



**Open cover hood
for air inlet**

**Port for dust
collector duct
(\varnothing 100 mm)**





erkat[®]

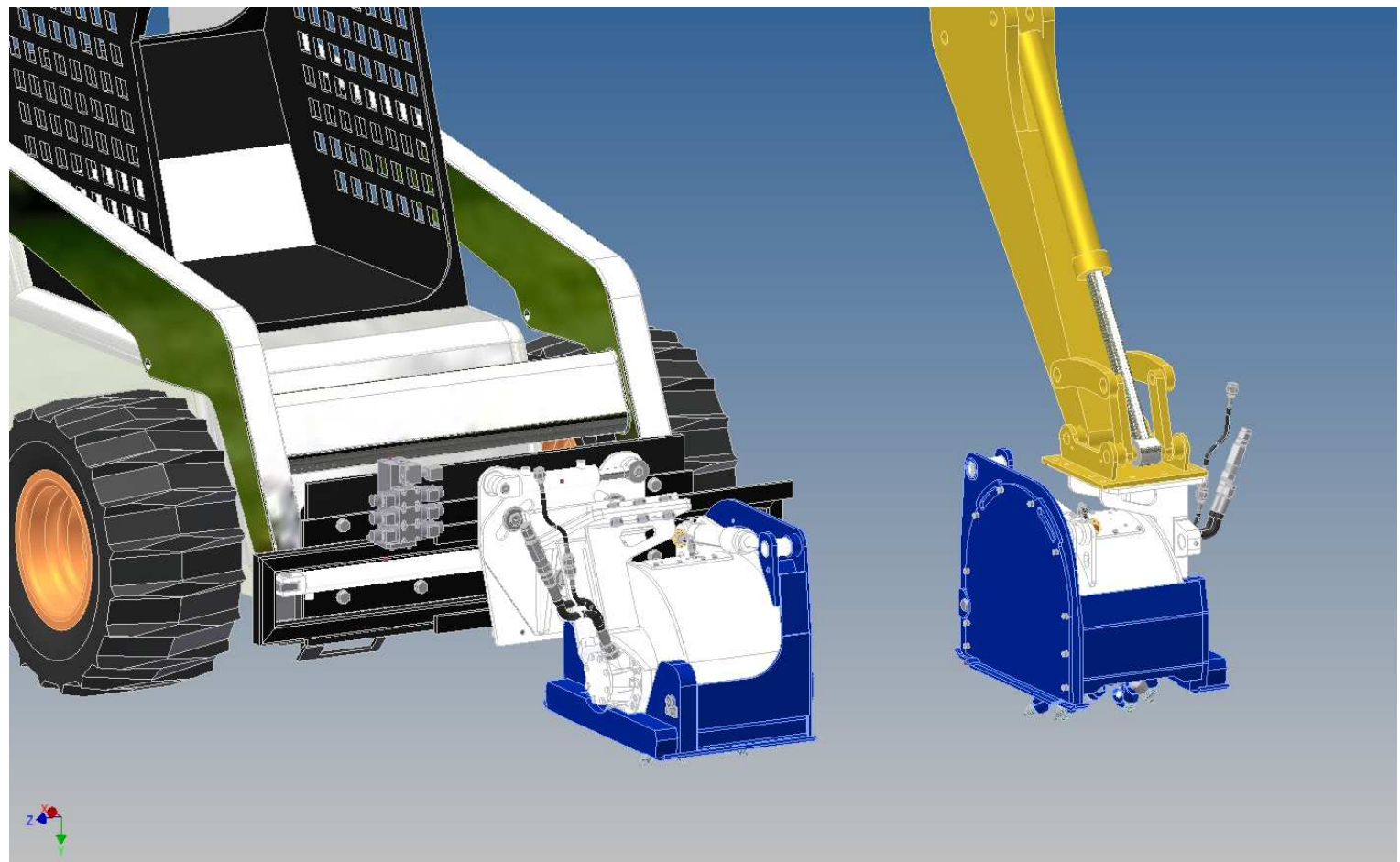
bau | stahlindustrie
bergbau | tunnel | forst

spezial fräsen

NEW DEVELOPMENT

**Patch Planer for Mounting
on Excavator and on Loader**

**Multifunctional Patch Planer EX Series
for Mounting on Excavator **or** on Skid Steer Loader
(One Planer for various Carrier Machines)**



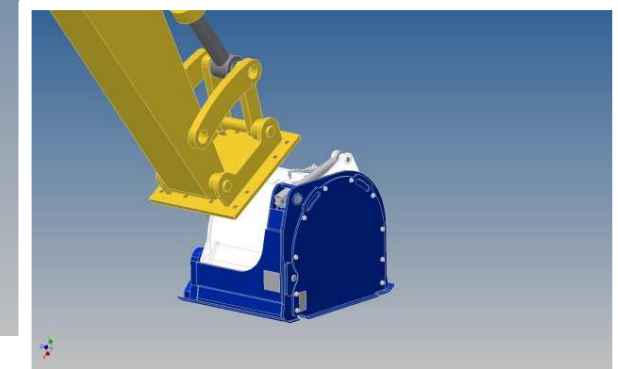
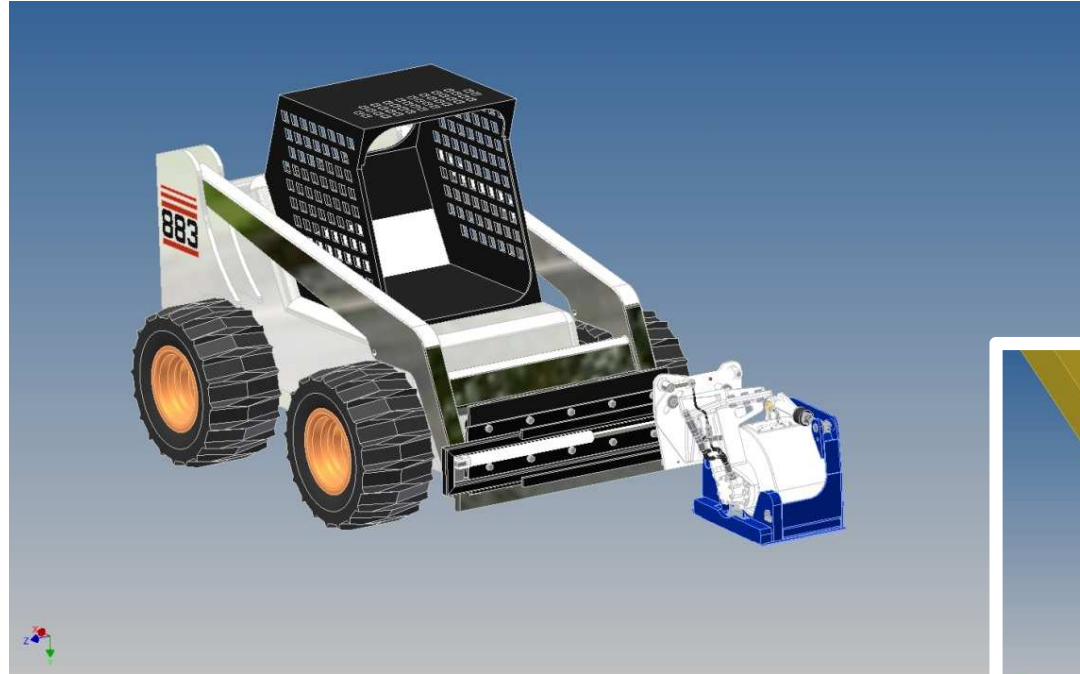


erkat[®]

bau | stahlindustrie
bergbau | tunnel | forst

spezial fräsen

NEW DEVELOPMENT
Patch Planer for Mounting
on Excavator and on Loader



**EX Standard Patch Planer
mounted on Skid Steer Loader**



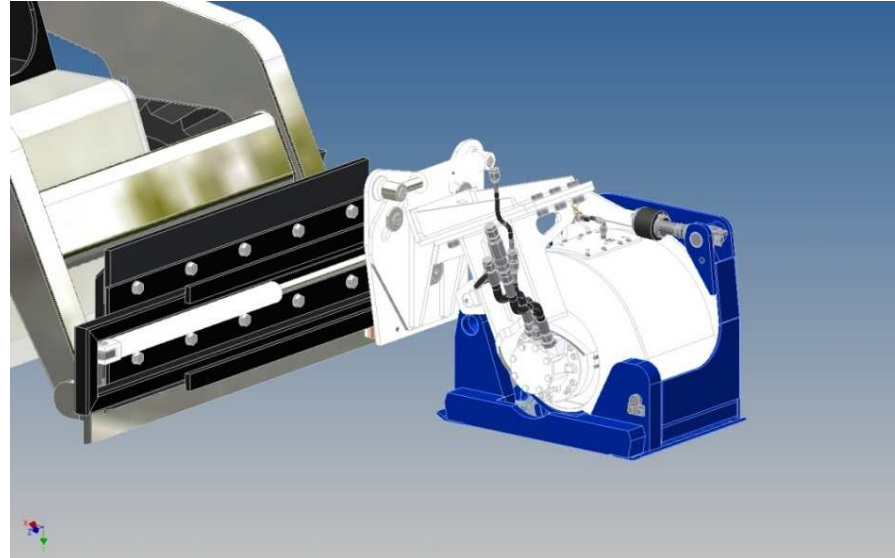


erkat[®]

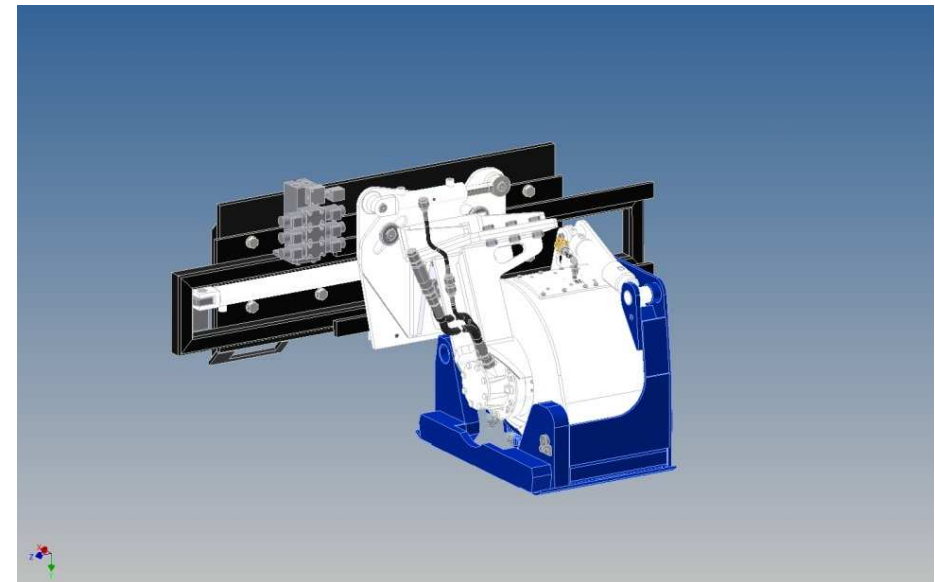
bau | stahlindustrie
bergbau | tunnel | forst

spezial fräsen

NEW DEVELOPMENT
Patch Planer for Mounting
on Excavator and on Loader



EX Standard Patch Planer
Mounted on Loader Frame



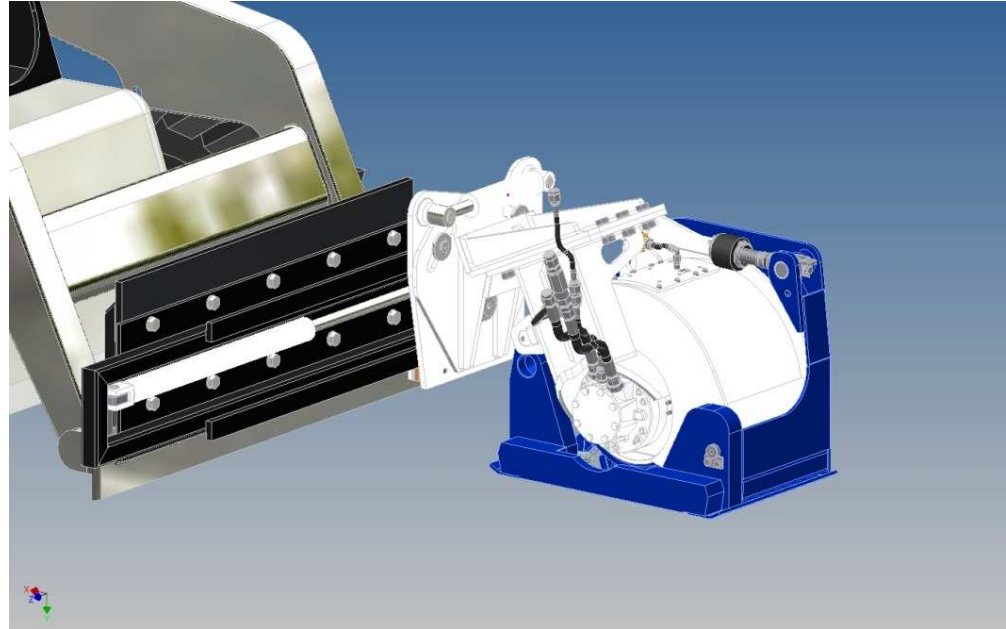


erkat[®]

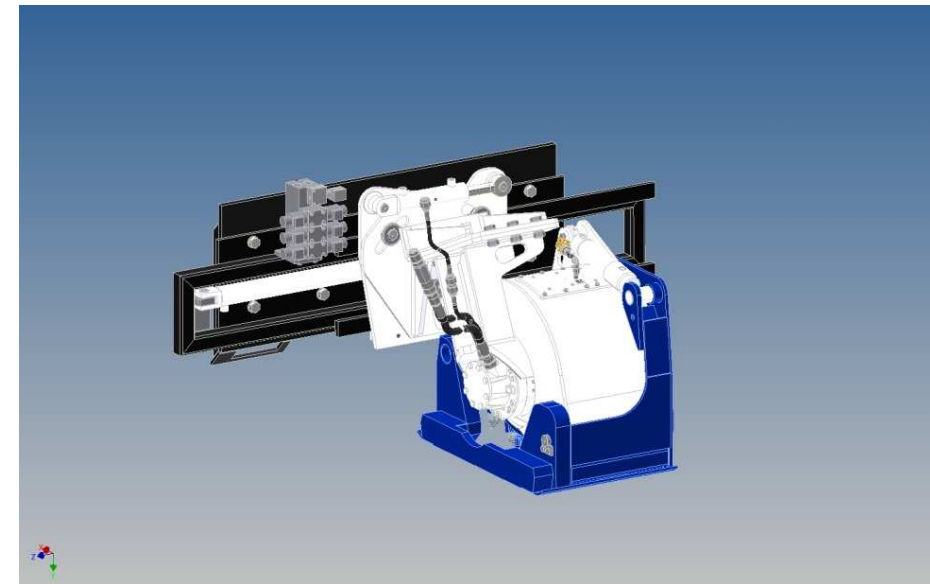
bau | stahlindustrie
bergbau | tunnel | forst

spezial fräsen

NEW DEVELOPMENT
Patch Planer for Mounting
on Excavator and on Loader



**EX Standard Patch Planer
Mounted on Loader Frame**





erkat[®]

bau | stahlindustrie
bergbau | tunnel | forst

spezial fräsen

**Patch Planer for Mounting
on Excavator and on Loader**

**EX 30 Standard
Patch Planer with
hydr. Side Shift and
Swing Device,
mounted on Crawler
Loader BOBCAT T650**





erkat®

bau | stahlindustrie
bergbau | tunnel | forst

spezial fräsen

Patch Planer for Mounting on Excavator and on Loader

**EX 30 Standard
Patch Planer with
hydr. Side Shift and
Swing Device,
mounted on Crawler
Loader BOBCAT T650**





erkat[®]

bau | stahlindustrie
bergbau | tunnel | forst

spezial fräsen

Patch Planer for Mounting on Excavator and on Loader

**EX 30 Standard
Patch Planer with
hydr. Side Shift and
Swing Device,
mounted on Crawler
Loader BOBCAT T650**





erkat[®]

bau | stahlindustrie
bergbau | tunnel | forst

spezial fräsen

Patch Planer for Mounting on Excavator and on Loader

**ES 30 Standard Slot
Cutter with hydr.
Side Shift and Swing
Device, mounted on
Crawler Loader
BOBCAT T650**





erkat[®]

bau | stahlindustrie
bergbau | tunnel | forst

spezial fräsen

Patch Planer for Mounting on Excavator and on Loader

**EX 30 Standard
Patch Planer with
hydr. Side Shift and
Swing Device,
mounted on Crawler
Loader BOBCAT T650**





erkat[®]

bau | stahlindustrie
bergbau | tunnel | forst

spezial fräsen

Patch Planer for Mounting on Excavator and on Loader

**EX 30 Standard
Patch Planer
mounted on Crawler
Loader BOBCAT T650**





erkat[®]

bau | stahlindustrie
bergbau | tunnel | forst

spezial fräsen

Patch Planer for Mounting on Excavator and on Loader



Patch Planer for Mounting on Excavator and on Loader





erkat[®]

bau | stahlindustrie
bergbau | tunnel | forst

spezial fräsen

Patch Planer for Mounting on Excavator and on Loader





erkat[®]

bau | stahlindustrie
bergbau | tunnel | forst

spezial fräsen

Patch Planer for Mounting on Excavator and on Loader





erkat[®]

bau | stahlindustrie
bergbau | tunnel | forst

spezial fräsen

Patch Planer for Mounting on Excavator and on Loader



**EX 30 Standard Patch Planer with Hydr. Side Shift and Swing Device
Mounted on Articulated Wheel Loader**



erkat[®]

bau | stahlindustrie
bergbau | tunnel | forst

spezial fräsen

Patch Planer for Mounting on Excavator and on Loader



**EX 30 Standard Patch Planer mounted on Loader Frame
with Hydr. Side Shift and Swing Device**

Patch Planer for Mounting on Excavator and on Loader





erkat[®]

bau | stahlindustrie
bergbau | tunnel | forst

spezial fräsen

Patch Planer for Mounting on Excavator and on Loader





erkat[®]

bau | stahlindustrie
bergbau | tunnel | forst

spezial fräsen

Patch Planer for Mounting on Excavator and on Loader



**EX 30
without
side cover**



1



2



3



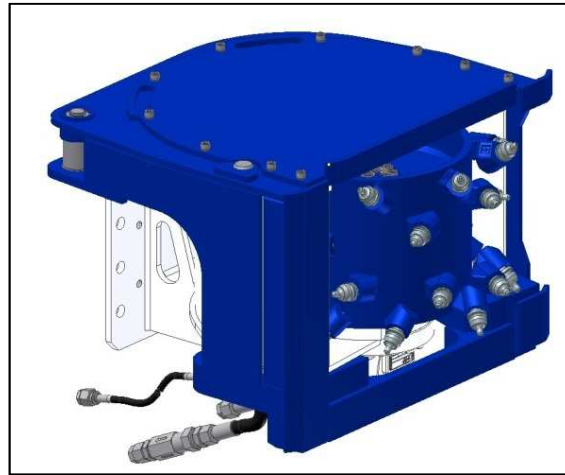
4



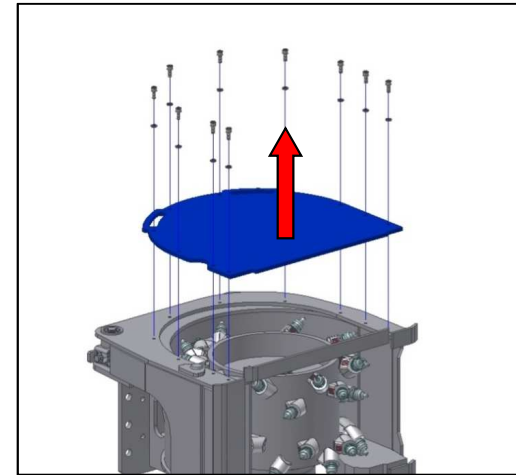
Simple Conversion of EX Patch Planer to ES Wood Cutter Unit



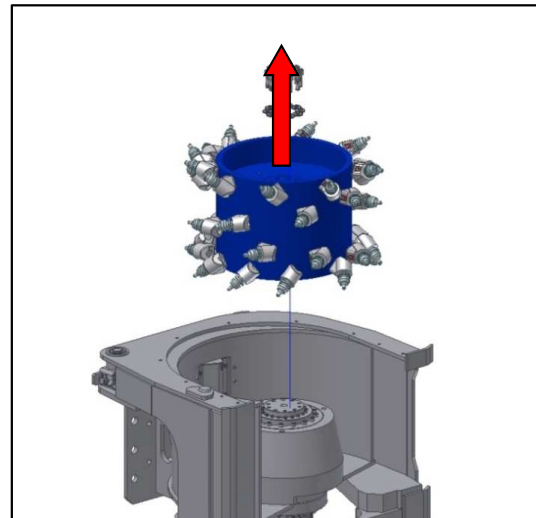
1



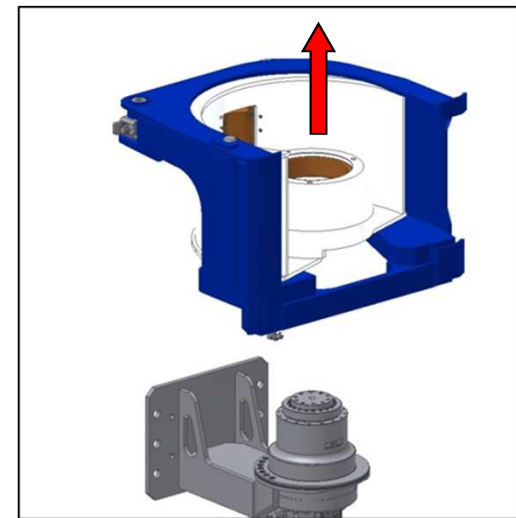
2



3



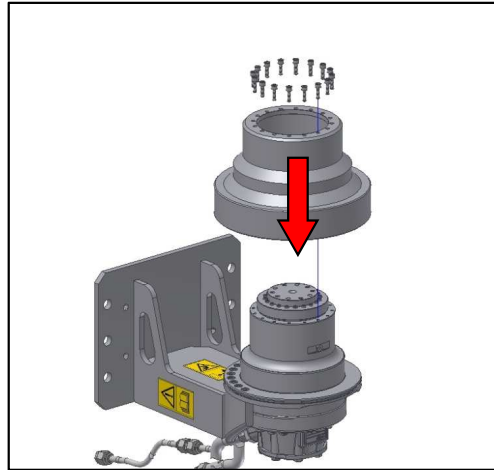
4



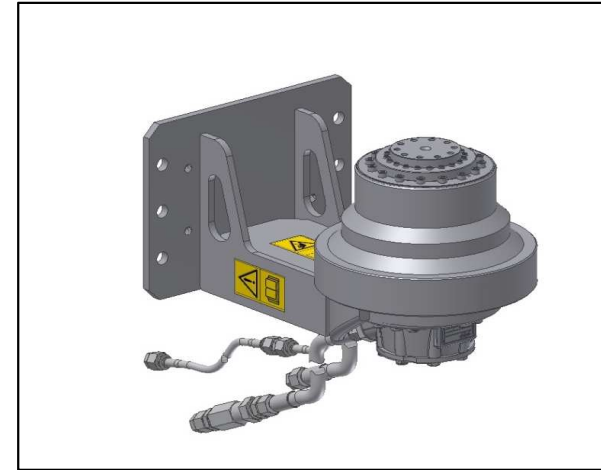


Simple Conversion of EX Patch Planer to ES Wood Cutter Unit

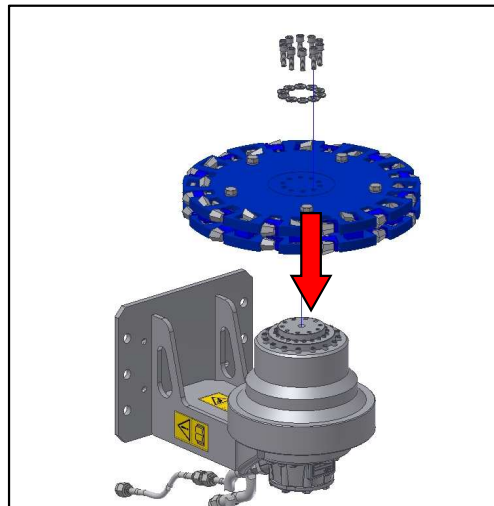
5



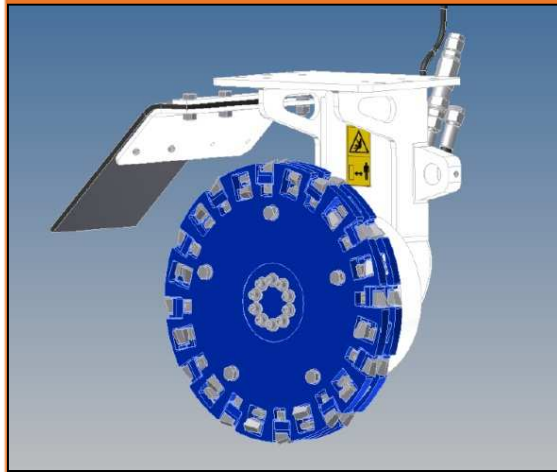
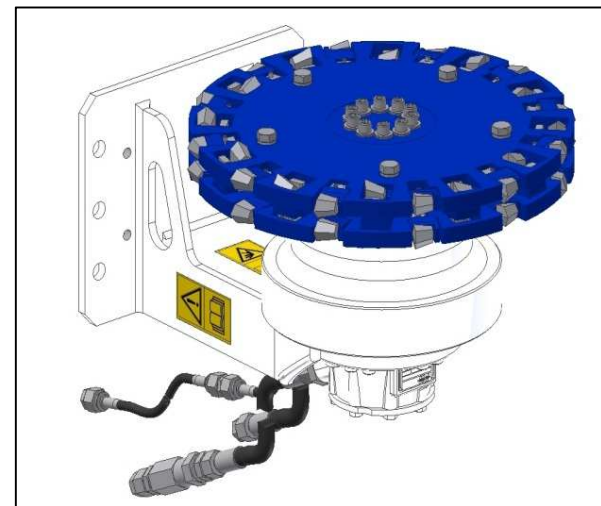
6



7



8





| Universal Cutters

erkat | flexator

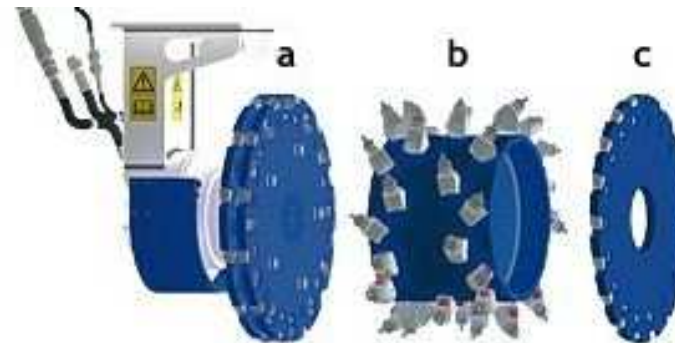
Multi-functional cutters for wood, concrete, asphalt and rock

Recommended
excavator weight

 Series ES 30	5 - 10 tons
 Series ES 45	8 - 15 tons
 Series ES 60	13 - 22 tons



The **ES** cutter range, designed as a universal tool for wood, concrete, asphalt and medium hard rock, is currently available in 3 sizes; for excavators from 5 ton to a maximum of 22 ton weight. Through the simple exchange of cutter tool, the **erkat | flexator** is equally as good for accurate profile work in rock and concrete as it is for cutting narrow slots, shallow trenches or the effective removal of tree stumps.



- a** Wood cutting wheel
- b** Cutting drum (optional)
- c** Cutting disc (optional)

Either cutting wheels for rock or wood or a planing cutter drum can be mounted on the main frame which also houses the drive motor.

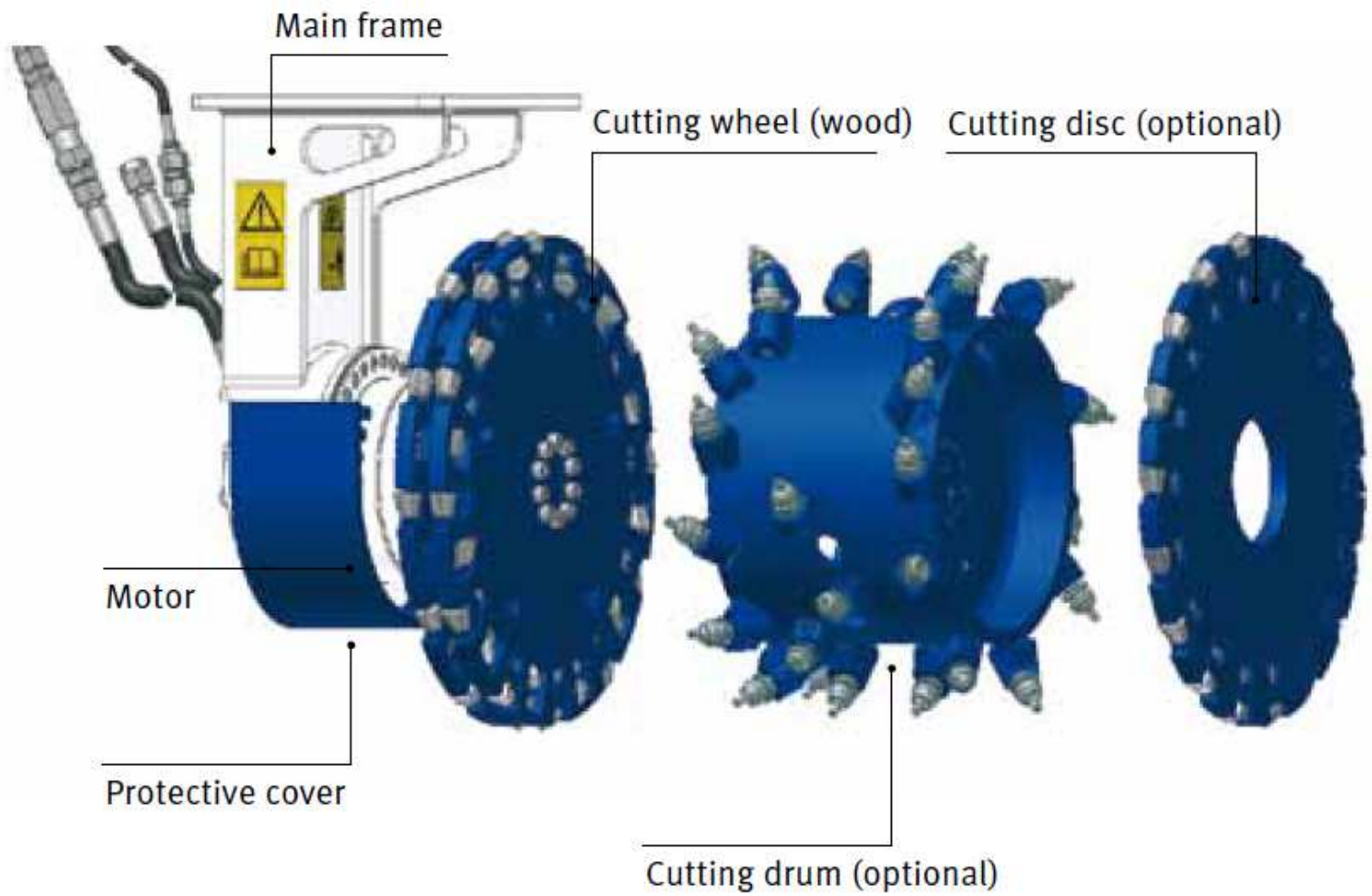
The ES range:

- A special tool for tree stumps fitted with a new, very efficient wood cutting wheel
- Using a cutter drum allows accurate planing of horizontal and vertical surfaces (optional)
- A special tool for cutting slots in concrete, asphalt and rock (optional)



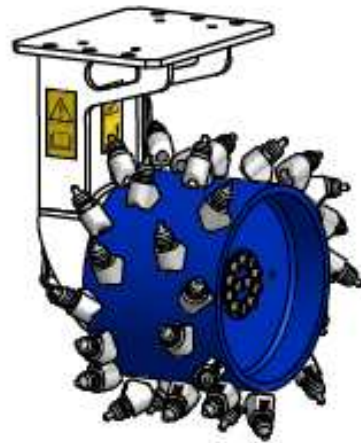
ES Basic Drive Unit With Exchangable Cutting Drums

- > Wood Cutting Wheel
- > Concrete Cutting Disc
- > Cutting Drum for Rock and Asphalt

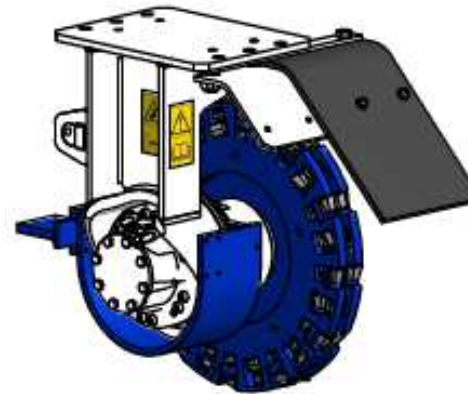


**ES Basic Drive Unit
With Exchangable
Cutting Drums**

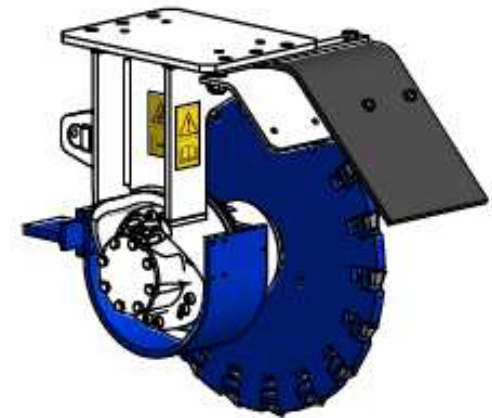
**Cutting Drum for
Rock and Asphalt**



Wood Cutter Wheel



Slot Cutting Wheel





erkat[®]

bau | stahlindustrie
bergbau | tunnel | forst

spezial fräsen

Wood / Tree Stump Cutting

ES30 - W Wood Cutter





erkat[®]

bau | stahlindustrie
bergbau | tunnel | forst

spezial fräsen

Wood / Tree Stump Cutting

ES45 - W Wood Cutter





erkat[®]

bau | stahlindustrie
bergbau | tunnel | forst

spezial fräsen

Wood / Tree Stump Cutting

ES60 - W Wood Cutter





erkat[®]

bau | stahlindustrie
bergbau | tunnel | forst

spezial fräsen

Wood / Tree Stump Cutting

ES60 - W Wood Cutter



**ER250 - W
Wood Cutter**





erkat[®]

bau | stahlindustrie
bergbau | tunnel | forst

spezial fräsen

Wood / Tree Stump Cutting

ER650 - W Wood Cutter





erkat[®]

bau | stahlindustrie
bergbau | tunnel | forst

spezial fräsen

Wood / Tree Stump Cutting

**ER650 - W
Wood Cutter**





ES 30 Slot Cutter mounted on Brokk 260

- **Grinding of
concrete out of
cast iron tunnel
lining**





ES Fräse mit Schlitzschneidrad



Cutting speed in asphalt:

- ES45 approx. 1,0 m/ min
- ES60 approx. 0,5 - 1,0 m/ min

	Cutting width	Cutting depth
ES 30	25 mm	150 mm
ES 45	40 mm	200 mm
ES 60	40 mm	250 mm





erkat®

bau | stahlindustrie
bergbau | tunnel | forst

spezial fräsen

ES45 mit Disc Cutter Wheel



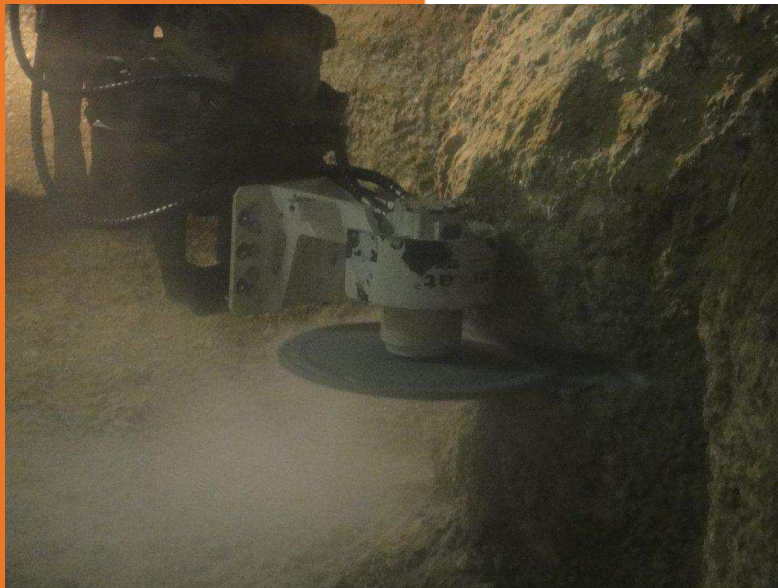


erkat®

bau | stahlindustrie
bergbau | tunnel | forst

spezial fräsen

ES30 mit Schlitzschneidrad





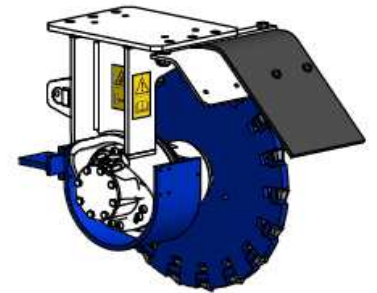
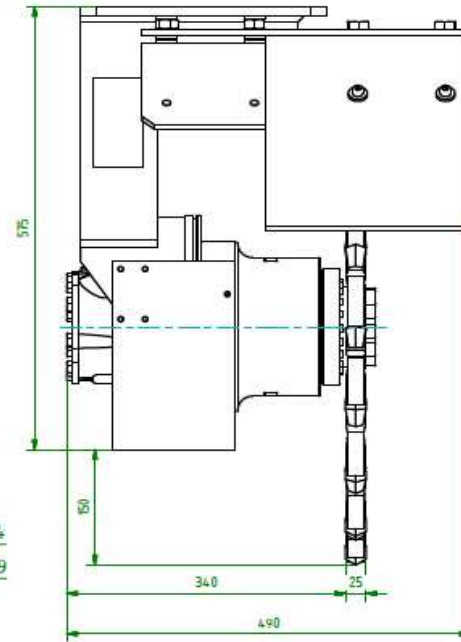
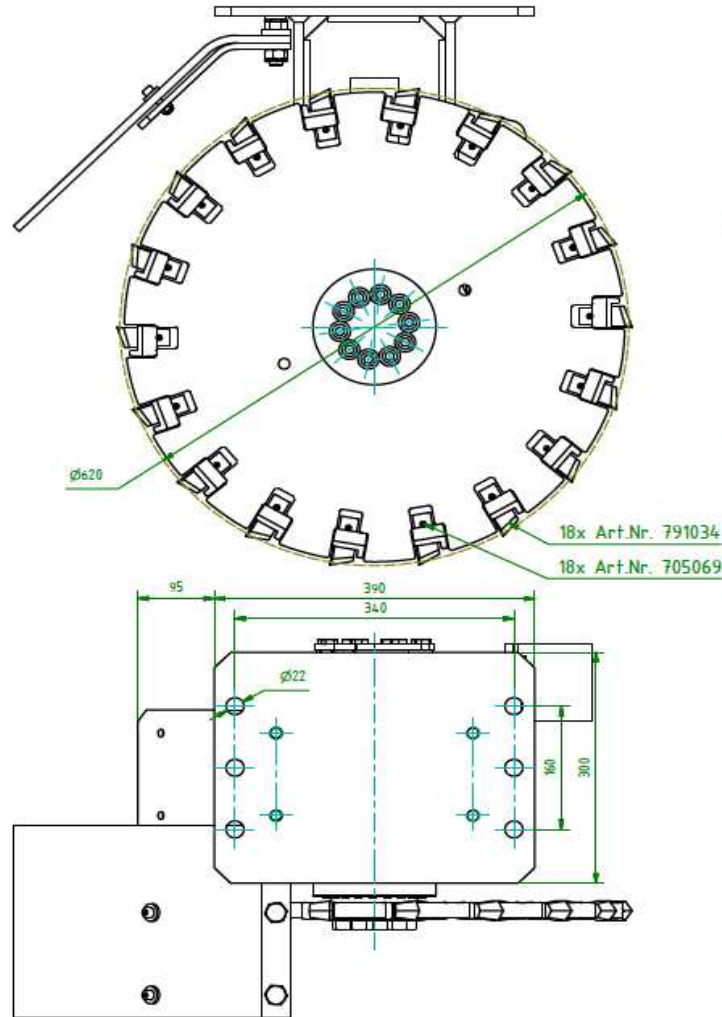
erkat[®]

bau | stahlindustrie
bergbau | tunnel | forst

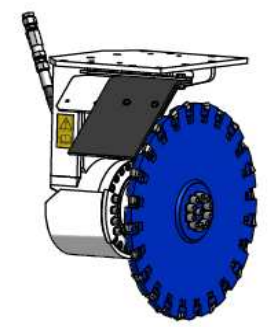
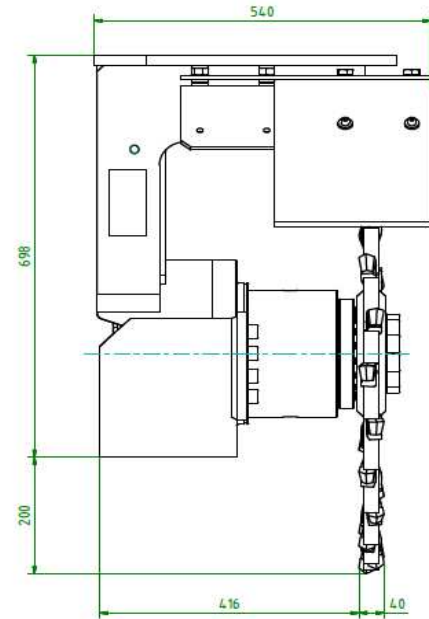
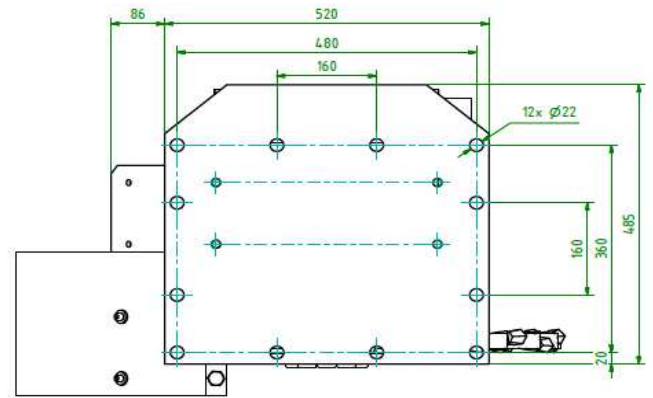
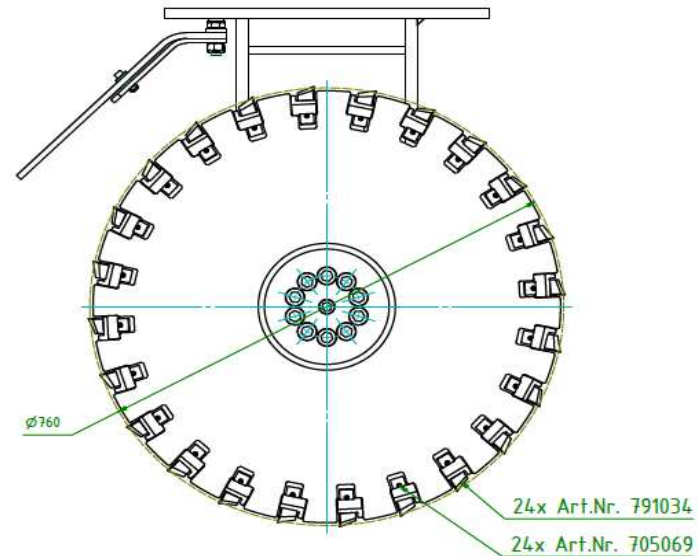
spezial fräsen

ES Fräse mit Schlitzschneidrad

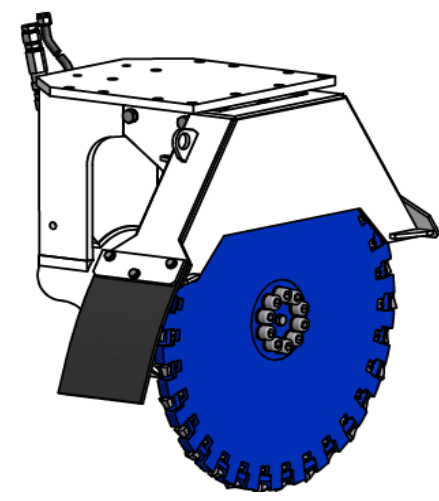
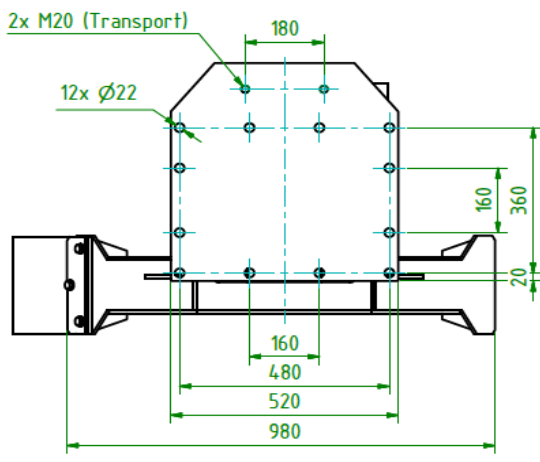
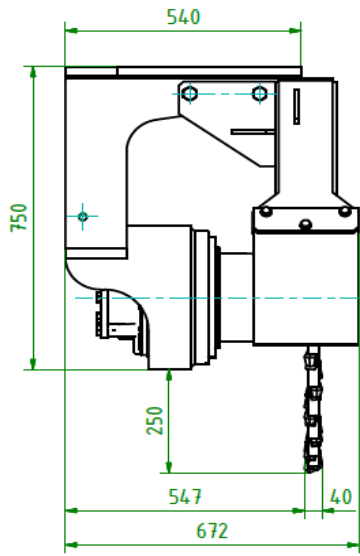
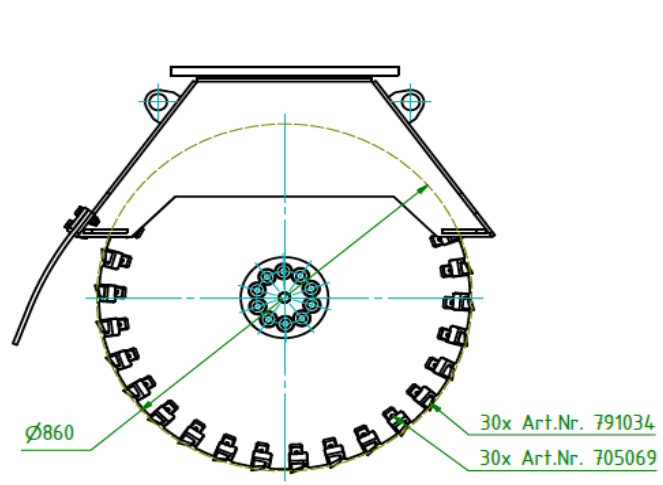
ES 30 with cutting disc



ES 30 with cutting disc



ES 60 with cutting disc



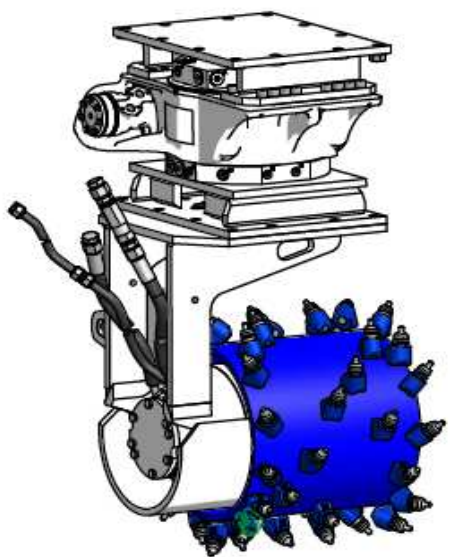
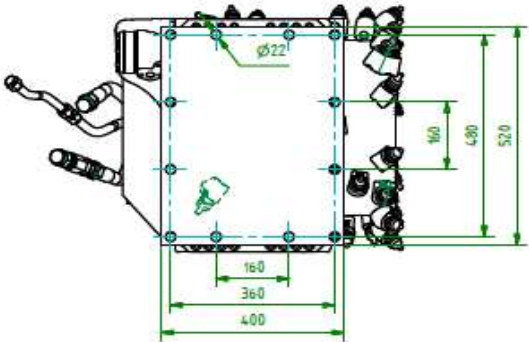
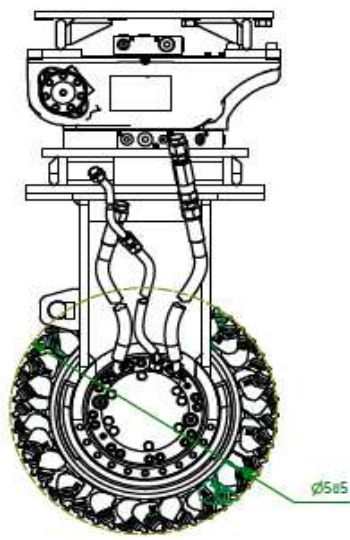
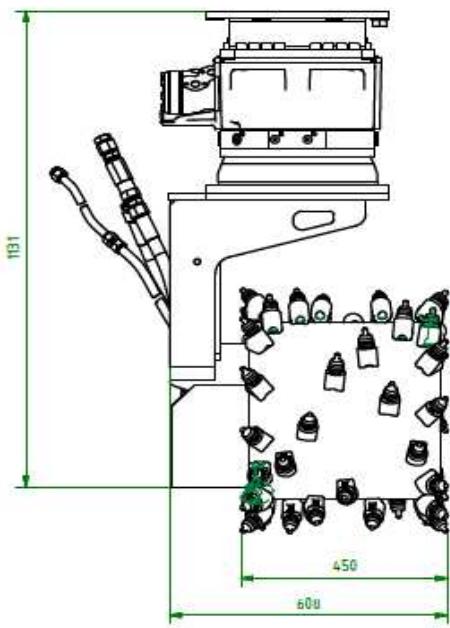


erkat[®]

bau | stahlindustrie
bergbau | tunnel | forst

spezial fräsen

ESR 45 with Asphalt Cutting Drum and Rotation Module



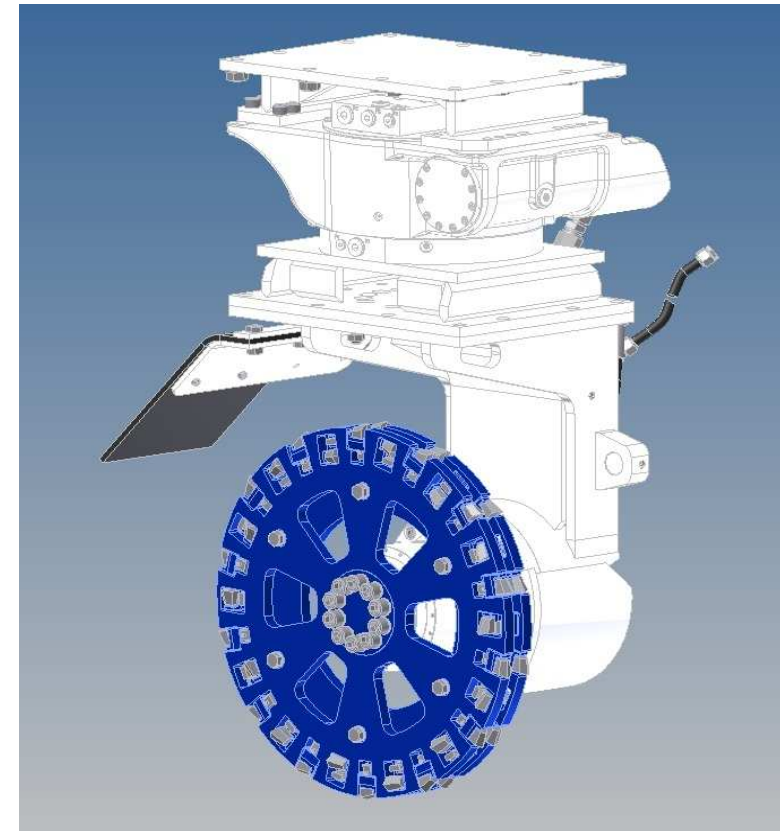
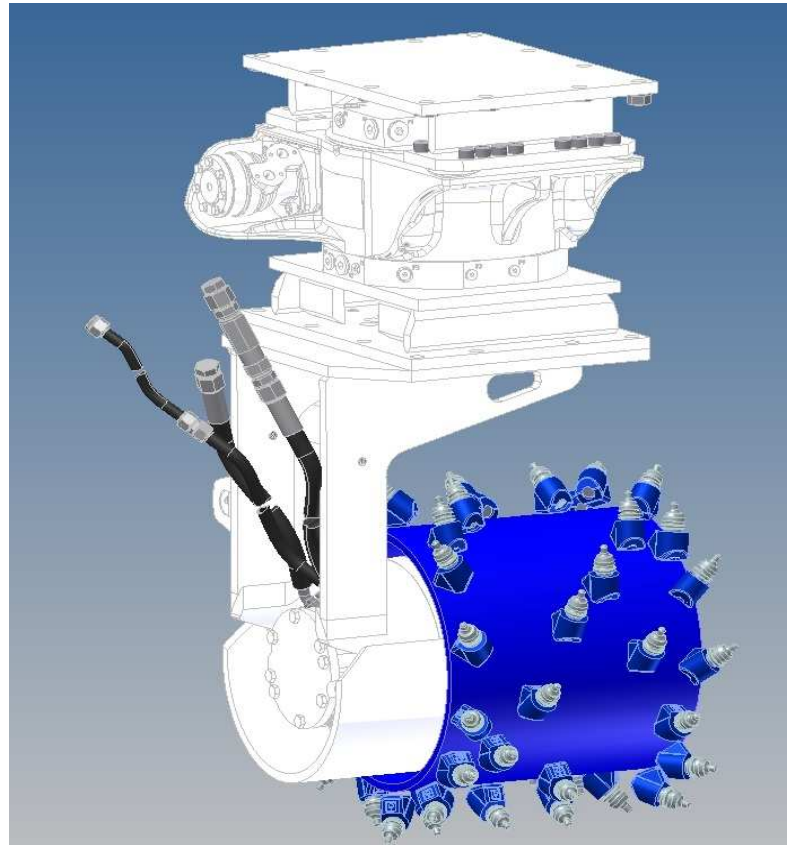


erkat[®]

bau | stahlindustrie
bergbau | tunnel | forst

spezial fräsen

ESR Universal Cutter with Rotation Module







erkat[®]

bau | stahlindustrie
bergbau | tunnel | forst

spezial fräsen

ESR Fräse mit Rotationsmodul





erkat®

bau | stahlindustrie
bergbau | tunnel | forst

spezial fräsen

ES Slot Cutter for Mounting on Excavator and on Loader

**ES 30 Standard Slot
Cutter with hydr.
Side Shift and Swing
Device, mounted on
Crawler Loader
BOBCAT T650**





erkat[®]

bau | stahlindustrie
bergbau | tunnel | forst

spezial fräsen

ES Slot Cutter for Mounting on Excavator and on Loader

**ES 30 Standard Slot
Cutter with hydr.
Side Shift and Swing
Device, mounted on
Crawler Loader
BOBCAT T650**





erkat[®]

bau | stahlindustrie
bergbau | tunnel | forst

spezial fräsen

ES Wood Cutter for Mounting on Excavator and on Loader



**EX 30 Standard Wood Cutter with Hydr. Side Shift and Swing Device
Mounted on Articulated Wheel Loader**



erkat[®]

bau | stahlindustrie
bergbau | tunnel | forst

spezial fräsen

ES Wood Cutter for Mounting on Excavator and on Loader



**EX 30 Standard Wood Cutter with Hydr. Side Shift and Swing Device
Mounted on Articulated Wheel Loader**



erkat[®]

bau | stahlindustrie
bergbau | tunnel | forst

spezial fräsen

ES Wood Cutter for Mounting on Excavator and on Loader





erkat[®]

bau | stahlindustrie
bergbau | tunnel | forst

spezial fräsen

ES Wood Cutter for Mounting on Excavator and on Loader



**EX 30 Standard Slot Cutter with Hydr. Side Shift and Swing Device
Mounted on Articulated Wheel Loader**



erkat®

bau | stahlindustrie
bergbau | tunnel | forst

spezial fräsen

**ES Slot Cutter for Mounting
on Excavator and on Loader**

**ES 30 Standard Slot
Cutter with Hydr.
Side Shift and Swing
Device, mounted on
Skid-Steer Loader
CASE 410-3**





erkat[®]

bau | stahlindustrie
bergbau | tunnel | forst

spezial fräsen

ES Slot Cutter for Mounting on Excavator and on Loader

**ES 30 Slot Cutter
slotting Asphalt,
on Skid-Steer Loader
CASE 410-3**





erkat[®]

bau | stahlindustrie
bergbau | tunnel | forst

spezial fräsen

ES Slot Cutter for Mounting on Excavator and on Loader

**ES 30 Slot Cutter
slotting Asphalt,
on Skid-Steer Loader
CASE 410-3**

**Slot edges when travelling forward
(cutting downside upwards)**



**Slot edges when travelling backwards
(cutting upside downwards)**



**Eff. Slot width approx. 30 mm
with ES flat pick 25 mm wide**



erkat[®]

bau | stahlindustrie
bergbau | tunnel | forst

spezial fräsen

ES Slot Cutter for Mounting on Excavator and on Loader



**ES30 on Skid-Steer Loader
New Holland L230**



erkat[®]

bau | stahlindustrie
bergbau | tunnel | forst

spezial fräsen

ES Slot Cutter for Mounting on Excavator and on Loader

**Microtrenching in asphalt
with ES30 on Skid-Steer Loader
New Holland L230
(optical fiber cable installation)**





erkat[®]

bau | stahlindustrie
bergbau | tunnel | forst

spezial fräsen

ES Slot Cutter for Mounting on Excavator and on Loader



**Microtrenching in asphalt
with ES30 on Skid-Steer Loader
New Holland L230
(optical fiber cable installation)**

