

Straight spur gears Module 1

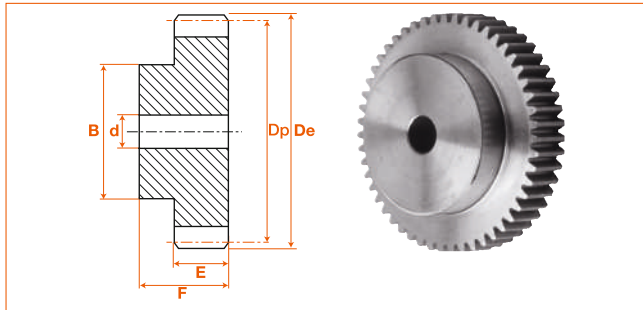
Engrenages à denture droite



Material : C45 steel - **Hardened teeth** available on demand.

Our standard gears are manufactured to meet *all common-applications quality requirements* and in a *significant cost reduction effort*.

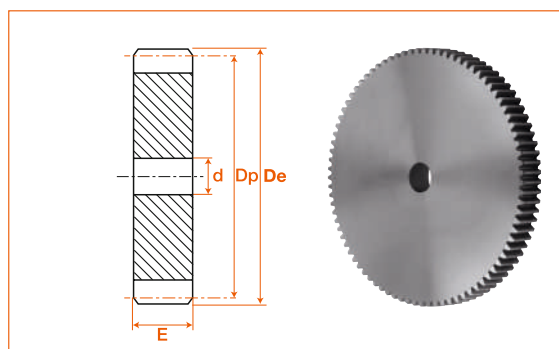
**STOCK AND PRICES
ON ITAFRAN.COM**



A moyeu déporté : E=15 - F=25						
Dents	Dp	De	Code	B	d	Masse
12	12,0	14,0	ENGM10012	9	6	0,01
13	13,0	15,0	ENGM10013	10	6	0,02
14	14,0	16,0	ENGM10014	11	6	0,02
15	15,0	17,0	ENGM10015	12	6	0,03
16	16,0	18,0	ENGM10016	13	6	0,04
17	17,0	19,0	ENGM10017	14	6	0,06
18	18,0	20,0	ENGM10018	15	8	0,10
19	19,0	21,0	ENGM10019	15	8	0,30
20	20,0	22,0	ENGM10020	16	8	0,04
21	21,0	23,0	ENGM10021	16	8	0,05
22	22,0	24,0	ENGM10022	16	8	0,04
23	23,0	25,0	ENGM10023	18	8	0,11
24	24,0	26,0	ENGM10024	20	10	0,06
25	25,0	27,0	ENGM10025	20	10	0,07
26	26,0	28,0	ENGM10026	20	10	0,07
27	27,0	29,0	ENGM10027	20	10	0,07
28	28,0	30,0	ENGM10028	20	10	0,08
29	29,0	31,0	ENGM10029	20	10	0,09
30	30,0	32,0	ENGM10030	20	10	0,07
31	31,0	33,0	ENGM10031	25	10	0,11
32	32,0	34,0	ENGM10032	25	10	0,12
33	33,0	35,0	ENGM10033	25	10	0,13
34	34,0	36,0	ENGM10034	25	10	0,13
35	35,0	37,0	ENGM10035	25	10	0,14

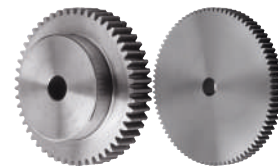
A moyeu déporté : E=15 - F=25						
Dents	Dp	De	Code	B	d	Masse
36	36,0	38,0	ENGM10036	25	10	0,14
37	37,0	39,0	ENGM10037	25	10	0,15
38	38,0	40,0	ENGM10038	25	10	0,16
39	39,0	41,0	ENGM10039	25	10	0,16
40	40,0	42,0	ENGM10040	25	10	0,18
41	41,0	43,0	ENGM10041	30	10	0,19
42	42,0	44,0	ENGM10042	30	10	0,20
43	43,0	45,0	ENGM10043	30	10	0,21
44	44,0	46,0	ENGM10044	30	10	0,22
45	45,0	47,0	ENGM10045	30	10	0,23
46	46,0	48,0	ENGM10046	30	10	0,15
47	47,0	49,0	ENGM10047	30	10	0,25
48	48,0	50,0	ENGM10048	30	10	0,24
49	49,0	51,0	ENGM10049	30	10	0,25
50	50,0	52,0	ENGM10050	30	12	0,25
51	51,0	53,0	ENGM10051	40	12	0,31
52	52,0	54,0	ENGM10052	40	12	0,32
53	53,0	55,0	ENGM10053	40	12	0,32
54	54,0	56,0	ENGM10054	40	12	0,34
55	55,0	57,0	ENGM10055	40	12	0,35
56	56,0	58,0	ENGM10056	40	12	0,36
57	57,0	59,0	ENGM10057	40	12	0,37
58	58,0	60,0	ENGM10058	40	12	0,38
59	59,0	61,0	ENGM10059	40	12	0,39
60	60,0	62,0	ENGM10060	40	12	0,40
61	61,0	63,0	ENGM10061	50	12	0,47
62	62,0	64,0	ENGM10062	50	12	0,48
63	63,0	65,0	ENGM10063	50	12	0,49
64	64,0	66,0	ENGM10064	50	12	0,50
65	65,0	67,0	ENGM10065	50	12	0,52
66	66,0	68,0	ENGM10066	50	12	0,53
67	67,0	69,0	ENGM10067	50	12	0,54
68	68,0	70,0	ENGM10068	50	12	0,56
69	69,0	71,0	ENGM10069	50	12	0,57
70	70,0	72,0	ENGM10070	50	12	0,57

- Machining featured **1st section**
- Keyless bushings featured **6th section**



Sans moyeu : E=15					
Dents	Dp	De	Code	d	Masse
72	72,0	74,0	ENGM10072	12	0,50
75	75,0	77,0	ENGM10075	12	0,50
76	76,0	78,0	ENGM10076	12	0,50
80	80,0	82,0	ENGM10080	12	0,55
85	85,0	87,0	ENGM10085	12	0,70
90	90,0	92,0	ENGM10090	12	0,44
95	95,0	97,0	ENGM10095	12	0,75
100	100,0	102,0	ENGM10100	12	0,53
110	110,0	112,0	ENGM10110	12	1,10
114	114,0	116,0	ENGM10114	12	1,18
120	120,0	122,0	ENGM10120	12	1,40
127	127,0	129,0	ENGM10127	12	1,50

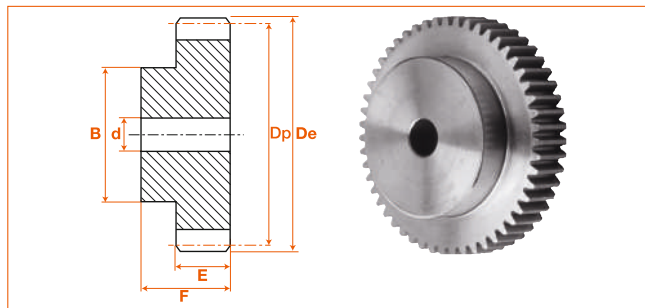




**STOCK ET PRIX
SUR ITAFRAN.COM**

Matière : Acier C45 - **Denture trempée** sur demande.

Nos engrenages standard sont fabriqués avec toute la **rigueur nécessaire aux applications courantes** et dans un souci de **réduction des coûts**.



A moyeu déporté : E=17 - F=30						
Dents	Dp	De	Code	B	d	Masse
12	18,0	21,0	ENGM15012	14	8	0,03
13	19,5	22,5	ENGM15013	15	8	0,04
14	21,0	24,0	ENGM15014	17	8	0,05
15	22,5	25,5	ENGM15015	18	8	0,05
16	24,0	27,0	ENGM15016	20	8	0,08
17	25,5	28,5	ENGM15017	20	8	0,09
18	27,0	30,0	ENGM15018	20	8	0,10
19	28,5	31,5	ENGM15019	20	8	0,10
20	30,0	33,0	ENGM15020	25	8	0,12
21	31,5	34,5	ENGM15021	25	10	0,10
22	33,0	36,0	ENGM15022	25	10	0,14
23	34,5	37,5	ENGM15023	25	10	0,16
24	36,0	39,0	ENGM15024	25	10	0,16
25	37,5	40,5	ENGM15025	25	10	0,17
26	39,0	42,0	ENGM15026	30	12	0,20
27	40,5	43,5	ENGM15027	30	12	0,21
28	42,0	45,0	ENGM15028	30	12	0,23
29	43,5	46,5	ENGM15029	30	12	0,24
30	45,0	48,0	ENGM15030	30	12	0,25
31	46,5	49,5	ENGM15031	35	12	0,30
32	48,0	51,0	ENGM15032	35	12	0,30
33	49,5	52,5	ENGM15033	35	12	0,30
34	51,0	54,0	ENGM15034	35	12	0,33
35	52,5	55,5	ENGM15035	35	12	0,35

A moyeu déporté : E=17 - F=30						
Dents	Dp	De	Code	B	d	Masse
36	54,0	57,0	ENGM15036	35	12	0,38
37	55,5	58,5	ENGM15037	40	12	0,41
38	57,0	60,0	ENGM15038	40	12	0,44
39	58,5	61,5	ENGM15039	40	12	0,45
40	60,0	63,0	ENGM15040	40	12	0,47
41	61,5	64,5	ENGM15041	40	12	0,49
42	63,0	66,0	ENGM15042	50	12	0,58
43	64,5	67,5	ENGM15043	50	12	0,60
44	66,0	69,0	ENGM15044	50	12	0,62
45	67,5	70,5	ENGM15045	50	12	0,64
46	69,0	72,0	ENGM15046	50	14	0,65
47	70,5	73,5	ENGM15047	50	14	0,68
48	72,0	75,0	ENGM15048	50	14	0,70
49	73,5	76,5	ENGM15049	50	14	0,72
50	75,0	78,0	ENGM15050	50	14	0,75
51	76,5	79,5	ENGM15051	60	14	0,85
52	78,0	81,0	ENGM15052	60	14	0,89
53	79,5	82,5	ENGM15053	60	14	0,90
54	81,0	84,0	ENGM15054	60	14	0,93
55	82,5	85,5	ENGM15055	60	14	0,95
56	84,0	87,0	ENGM15056	60	16	0,97
57	85,5	88,5	ENGM15057	60	16	0,99
58	87,0	90,0	ENGM15058	60	16	1,00
59	88,5	91,5	ENGM15059	60	16	1,05
60	90,0	93,0	ENGM15060	60	16	1,12
61	91,5	94,5	ENGM15061	70	16	1,21
62	93,0	96,0	ENGM15062	70	16	1,24
63	94,5	97,5	ENGM15063	70	16	1,27
64	96,0	99,0	ENGM15064	70	16	1,30
65	97,5	100,5	ENGM15065	70	16	1,35
66	99,0	102,0	ENGM15066	70	16	1,36
67	100,5	103,5	ENGM15067	70	16	1,39
68	102,0	105,0	ENGM15068	70	16	1,44
69	103,5	106,5	ENGM15069	70	16	1,46
70	105,0	108,0	ENGM15070	70	16	1,45

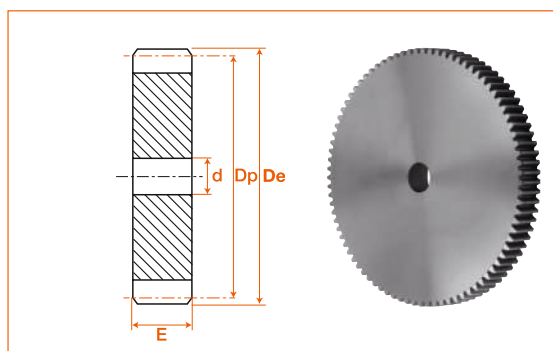


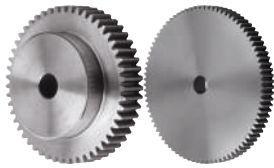
Usinage présenté **section 1**



Moyeux de serrage présenté **section 6**

Sans moyeu : E=17					
Dents	Dp	De	Code	d	Masse
72	108,0	111,0	ENGM15072	16	1,18
75	112,5	115,5	ENGM15075	16	1,28
76	114,0	117,0	ENGM15076	16	1,34
80	120,0	123,0	ENGM15080	16	1,46
85	127,5	130,5	ENGM15085	16	1,66
90	135,0	138,0	ENGM15090	16	2,00
95	142,5	145,5	ENGM15095	16	2,00
100	150,0	153,0	ENGM15100	16	2,30
110	165,0	168,0	ENGM15110	16	2,80
114	171,0	174,0	ENGM15114	16	3,00
120	180,0	183,0	ENGM15120	16	3,33
127	190,5	193,5	ENGM15127	16	3,75





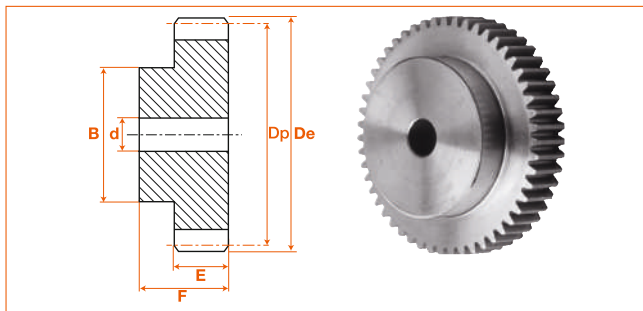
Straight spur gears Module 2 Engrenages à denture droite



Material : C45 steel - **Hardened teeth** available on demand.

Our standard gears are manufactured to meet **all common-applications quality requirements** and in a **significant cost reduction effort**.

STOCK AND PRICES
ON ITAFRAN.COM



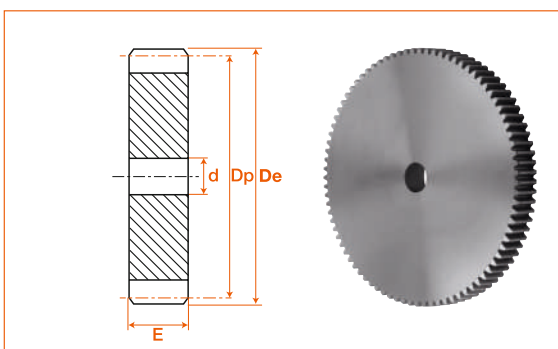
A moyeu déporté : E=20 - F=35						
Dents	Dp	De	Code	B	d	Masse
12	24,0	28,0	ENGM20012	18	10	0,07
13	26,0	30,0	ENGM20013	20	10	0,10
14	28,0	32,0	ENGM20014	22	10	0,12
15	30,0	34,0	ENGM20015	24	10	0,13
16	32,0	36,0	ENGM20016	25	10	0,14
17	34,0	38,0	ENGM20017	25	10	0,16
18	36,0	40,0	ENGM20018	25	10	0,18
19	38,0	42,0	ENGM20019	25	10	0,20
20	40,0	44,0	ENGM20020	30	10	0,25
21	42,0	46,0	ENGM20021	30	12	0,28
22	44,0	48,0	ENGM20022	30	12	0,30
23	46,0	50,0	ENGM20023	30	12	0,33
24	48,0	52,0	ENGM20024	35	12	0,35
25	50,0	54,0	ENGM20025	35	12	0,37
26	52,0	56,0	ENGM20026	40	12	0,42
27	54,0	58,0	ENGM20027	40	12	0,45
28	56,0	60,0	ENGM20028	40	14	0,48
29	58,0	62,0	ENGM20029	40	14	0,50
30	60,0	64,0	ENGM20030	40	14	0,55
31	62,0	66,0	ENGM20031	45	14	0,60
32	64,0	68,0	ENGM20032	45	14	0,65
33	66,0	70,0	ENGM20033	45	14	0,66
34	68,0	72,0	ENGM20034	45	14	0,69
35	70,0	74,0	ENGM20035	45	14	0,73

A moyeu déporté : E=20 - F=35						
Dents	Dp	De	Code	B	d	Masse
36	72,0	76,0	ENGM20036	45	14	0,76
37	74,0	78,0	ENGM20037	50	14	0,83
38	76,0	80,0	ENGM20038	50	14	0,89
39	78,0	82,0	ENGM20039	50	14	0,91
40	80,0	84,0	ENGM20040	50	14	0,95
41	82,0	86,0	ENGM20041	55	16	1,03
42	84,0	88,0	ENGM20042	55	16	1,07
43	86,0	90,0	ENGM20043	55	16	1,10
44	88,0	92,0	ENGM20044	60	16	1,21
45	90,0	94,0	ENGM20045	60	16	1,20
46	92,0	96,0	ENGM20046	60	16	1,30
47	94,0	98,0	ENGM20047	70	16	1,41
48	96,0	100,0	ENGM20048	70	16	1,52
49	98,0	102,0	ENGM20049	70	16	1,56
50	100,0	104,0	ENGM20050	70	16	1,61
51	102,0	106,0	ENGM20051	70	16	1,66
52	104,0	108,0	ENGM20052	70	16	1,59
53	106,0	110,0	ENGM20053	70	16	1,71
54	108,0	112,0	ENGM20054	70	16	1,82
55	110,0	114,0	ENGM20055	70	16	1,87
56	112,0	116,0	ENGM20056	70	16	1,90
57	114,0	118,0	ENGM20057	70	16	1,95
58	116,0	120,0	ENGM20058	70	16	2,05
59	118,0	122,0	ENGM20059	70	16	2,09
60	120,0	124,0	ENGM20060	70	16	2,12
61	122,0	126,0	ENGM20061	80	16	2,28
62	124,0	128,0	ENGM20062	80	16	2,40
63	126,0	130,0	ENGM20063	80	16	2,48
64	128,0	132,0	ENGM20064	80	16	2,55
65	130,0	134,0	ENGM20065	80	16	2,60
66	132,0	136,0	ENGM20066	80	16	2,65
67	134,0	138,0	ENGM20067	80	16	2,70
68	136,0	140,0	ENGM20068	80	16	2,76
69	138,0	142,0	ENGM20069	80	16	2,85
70	140,0	144,0	ENGM20070	80	16	2,96

Sprockets, Chains, Gears, Rack rails



- Machining featured **1st section**
- Keyless bushings featured **6th section**

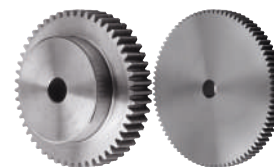


Sans moyeu : E=20					
Dents	Dp	De	Code	d	Masse
72	144,0	148,0	ENGM20072	16	2,85
75	150,0	154,0	ENGM20075	20	3,06
76	152,0	156,0	ENGM20076	20	3,13
80	160,0	164,0	ENGM20080	20	3,43
85	170,0	174,0	ENGM20085	20	3,64
90	180,0	184,0	ENGM20090	20	4,25
95	190,0	194,0	ENGM20095	20	4,48
100	200,0	204,0	ENGM20100	20	5,16
110	220,0	224,0	ENGM20110	20	6,17
114	228,0	232,0	ENGM20114	20	6,40
120	240,0	244,0	ENGM20120	20	7,28
127	254,0	258,0	ENGM20127	20	7,84



Straight spur gears Module 2.5

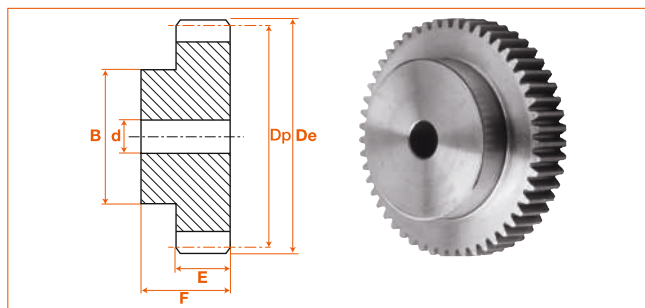
Engrenages à denture droite



**STOCK ET PRIX
SUR ITAFRAN.COM**

Matière : Acier C45 - **Denture trempée** sur demande.

Nos engrenages standard sont fabriqués avec toute la **rigueur nécessaire aux applications courantes** et dans un souci de **réduction des coûts**.



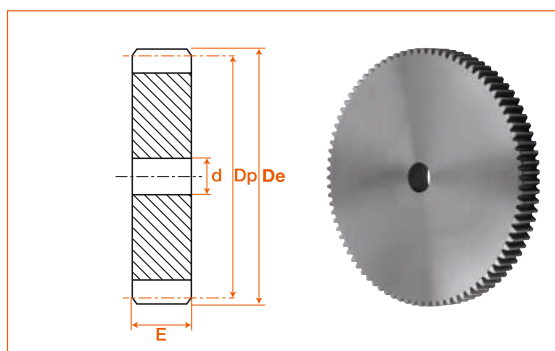
A moyeu déporté : E=25 - F=40						
Dents	Dp	De	Code	B	d	Masse
12	30,0	35,0	ENGM25012	22	10	0,15
13	32,5	37,5	ENGM25013	25	10	0,14
14	35,0	40,0	ENGM25014	28	10	0,23
15	37,5	42,5	ENGM25015	30	10	0,30
16	40,0	45,0	ENGM25016	32	12	0,30
17	42,5	47,5	ENGM25017	35	12	0,34
18	45,0	50,0	ENGM25018	35	12	0,38
19	47,5	52,5	ENGM25019	35	12	0,40
20	50,0	55,0	ENGM25020	40	12	0,48
21	52,5	57,5	ENGM25021	40	14	0,70
22	55,0	60,0	ENGM25022	45	14	0,59
23	57,5	62,5	ENGM25023	45	14	0,64
24	60,0	65,0	ENGM25024	45	14	0,68
25	62,5	67,5	ENGM25025	50	14	0,75
26	65,0	70,0	ENGM25026	50	14	0,82
27	67,5	72,5	ENGM25027	50	14	0,87
28	70,0	75,0	ENGM25028	50	14	0,91
29	72,5	77,5	ENGM25029	50	14	1,00
30	75,0	80,0	ENGM25030	55	14	1,07

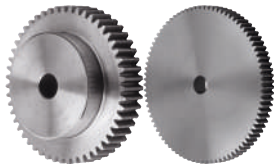
A moyeu déporté : E=25 - F=40						
Dents	Dp	De	Code	B	d	Masse
31	77,5	82,5	ENGM25031	55	16	1,14
32	80,0	85,0	ENGM25032	55	16	1,04
33	82,5	87,5	ENGM25033	55	16	1,20
34	85,0	90,0	ENGM25034	55	16	1,32
35	87,5	92,5	ENGM25035	60	16	1,42
36	90,0	95,0	ENGM25036	60	16	1,47
37	92,5	97,5	ENGM25037	60	16	1,57
38	95,0	100,0	ENGM25038	60	16	1,65
39	97,5	102,5	ENGM25039	60	16	1,72
40	100,0	105,0	ENGM25040	70	16	1,92
41	102,5	107,5	ENGM25041	70	16	2,00
42	105,0	110,0	ENGM25042	70	16	2,08
43	107,5	112,5	ENGM25043	70	16	2,16
44	110,0	115,0	ENGM25044	70	16	2,23
45	112,5	117,5	ENGM25045	70	16	2,25
46	115,0	120,0	ENGM25046	70	20	2,36
47	117,5	122,5	ENGM25047	80	20	2,53
48	120,0	125,0	ENGM25048	80	20	2,69
49	122,5	127,5	ENGM25049	80	20	2,78
50	125,0	130,0	ENGM25050	80	20	2,86
51	127,5	132,5	ENGM25051	80	20	2,57
52	130,0	135,0	ENGM25052	90	20	3,23
53	132,5	137,5	ENGM25053	90	20	3,33
54	135,0	140,0	ENGM25054	90	20	3,41
55	137,5	142,5	ENGM25055	90	20	3,52
56	140,0	145,0	ENGM25056	100	20	3,82
57	142,5	147,5	ENGM25057	100	20	3,94
58	145,0	150,0	ENGM25058	100	20	4,04
59	147,5	152,5	ENGM25059	100	20	4,13
60	150,0	155,0	ENGM25060	100	20	4,25



Sans moyeu : E=25					
Dents	Dp	De	Code	d	Masse
65	162,5	167,5	ENGM25065	20	5,00
70	175,0	180,0	ENGM25070	20	4,73
72	180,0	185,0	ENGM25072	20	5,61
75	187,5	192,5	ENGM25075	20	6,03
76	190,0	195,0	ENGM25076	20	6,17
80	200,0	205,0	ENGM25080	25	6,80
85	212,5	217,5	ENGM25085	25	7,18
90	225,0	230,0	ENGM25090	25	8,35
95	237,5	242,5	ENGM25095	25	8,82
100	250,0	255,0	ENGM25100	25	10,14
110	275,0	280,0	ENGM25110	25	12,11
114	285,0	290,0	ENGM25114	25	12,55
120	300,0	305,0	ENGM25120	25	13,74
127	317,5	322,5	ENGM25127	25	15,50

Usinage présenté **section 1**
 Moyeux de serrage présenté **section 6**





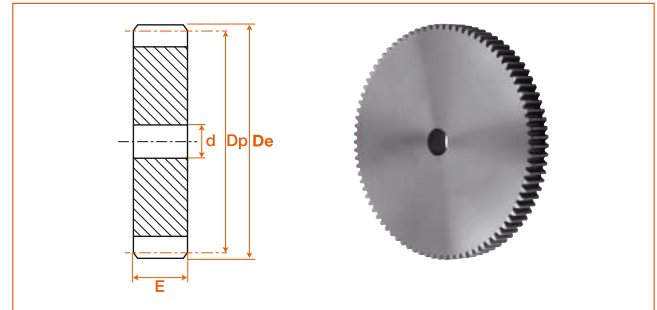
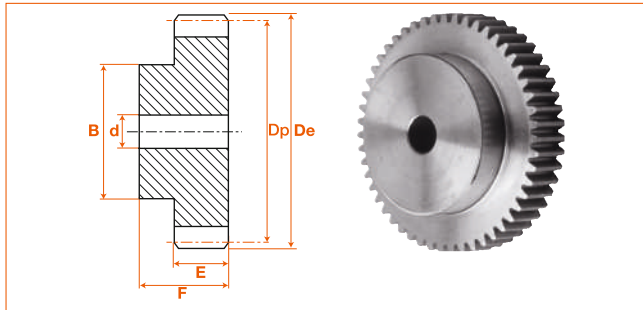
Straight spur gears Module 3 Engrenages à denture droite



Material : C45 steel - **Hardened teeth** available on demand.

Our standard gears are manufactured to meet *all common-applications quality requirements* and in a *significant cost reduction effort*.

STOCK AND PRICES
ON ITAFRAN.COM



A moyeu déporté : E=30 - F=50						
Dents	Dp	De	Code	B	d	Masse
12	36,0	42,0	ENGM30012	27	12	0,27
13	39,0	45,0	ENGM30013	30	12	0,33
14	42,0	48,0	ENGM30014	33	12	0,39
15	45,0	51,0	ENGM30015	35	12	0,45
16	48,0	54,0	ENGM30016	38	14	0,52
17	51,0	57,0	ENGM30017	42	14	0,62
18	54,0	60,0	ENGM30018	45	14	0,80
19	57,0	63,0	ENGM30019	45	14	0,75
20	60,0	66,0	ENGM30020	45	14	0,90
21	63,0	69,0	ENGM30021	45	16	0,92
22	66,0	72,0	ENGM30022	50	16	1,00
23	69,0	75,0	ENGM30023	50	16	1,80
24	72,0	78,0	ENGM30024	50	16	1,04
25	75,0	81,0	ENGM30025	60	16	1,38
26	78,0	84,0	ENGM30026	60	16	1,47
27	81,0	87,0	ENGM30027	60	16	1,54
28	84,0	90,0	ENGM30028	60	16	1,65
29	87,0	93,0	ENGM30029	60	16	1,75
30	90,0	96,0	ENGM30030	60	16	1,85
31	93,0	99,0	ENGM30031	60	16	2,00
32	96,0	102,0	ENGM30032	70	16	2,12
33	99,0	105,0	ENGM30033	70	16	2,31
34	102,0	108,0	ENGM30034	70	16	2,42
35	105,0	111,0	ENGM30035	70	16	2,55
36	108,0	114,0	ENGM30036	70	20	2,60
37	111,0	117,0	ENGM30037	70	20	2,76
38	114,0	120,0	ENGM30038	80	20	2,94
39	117,0	123,0	ENGM30039	80	20	3,12
40	120,0	126,0	ENGM30040	80	20	3,30
41	123,0	129,0	ENGM30041	80	20	3,43
42	126,0	132,0	ENGM30042	80	20	3,58
43	129,0	135,0	ENGM30043	80	20	3,70
44	132,0	138,0	ENGM30044	90	20	4,07
45	135,0	141,0	ENGM30045	90	20	4,20
46	138,0	144,0	ENGM30046	90	20	4,35
47	141,0	147,0	ENGM30047	100	20	4,75
48	144,0	150,0	ENGM30048	100	20	4,90

Sans moyeu : E=30					
Dents	Dp	De	Code	d	Masse
50	150,0	156,0	ENGM30050	20	4,30
52	156,0	162,0	ENGM30052	20	4,63
55	165,0	171,0	ENGM30055	20	5,15
57	171,0	177,0	ENGM30057	20	5,51
60	180,0	186,0	ENGM30060	20	6,08
65	195,0	201,0	ENGM30065	20	8,31
70	210,0	216,0	ENGM30070	25	9,41
72	216,0	222,0	ENGM30072	25	9,87
75	225,0	231,0	ENGM30075	25	10,58
76	228,0	234,0	ENGM30076	25	10,83
80	240,0	246,0	ENGM30080	25	11,84
85	255,0	261,0	ENGM30085	25	13,06
90	270,0	276,0	ENGM30090	25	14,60
95	285,0	291,0	ENGM30095	25	16,10
100	300,0	306,0	ENGM30100	25	17,10
110	330,0	336,0	ENGM30110	25	19,50
114	342,0	348,0	ENGM30114	30	19,50
120	360,0	366,0	ENGM30120	30	23,50
127	381,0	387,0	ENGM30127	30	26,80

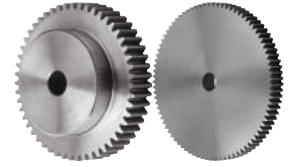
Sprockets, Chains, Gears, Rack rails



- Machining featured **1st section**
- Keyless bushings featured **6th section**



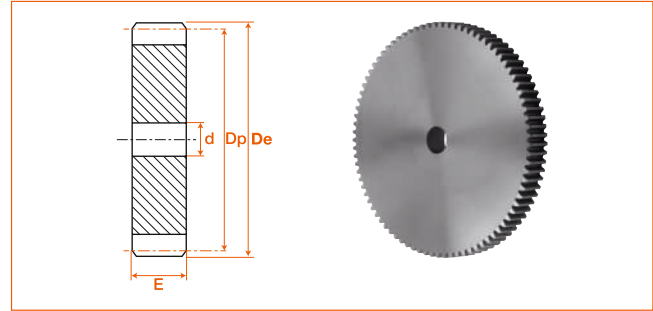
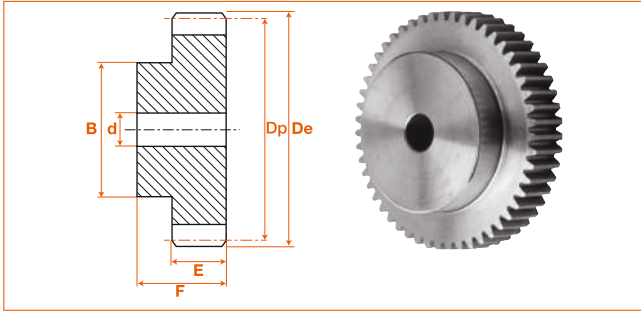
Straight spur gears
Module 4
Engrenages à denture droite



STOCK ET PRIX
SUR ITAFRAN.COM

Matière : Acier C45 - **Denture trempée** sur demande.

Nos engrenages standard sont fabriqués avec toute la **rigueur nécessaire aux applications courantes** et dans un souci de **réduction des coûts**.



A moyeu déporté : E=40 - F=60

Dents	Dp	De	Code	B	d	Masse
12	48,0	56,0	ENGM40012	35	14	0,60
13	52,0	60,0	ENGM40013	40	14	0,76
14	56,0	64,0	ENGM40014	45	14	0,92
15	60,0	68,0	ENGM40015	45	14	1,40
16	64,0	72,0	ENGM40016	50	16	1,20
17	68,0	76,0	ENGM40017	50	16	1,30
18	72,0	80,0	ENGM40018	50	16	1,45
19	76,0	84,0	ENGM40019	60	16	1,63
20	80,0	88,0	ENGM40020	60	16	1,80
21	84,0	92,0	ENGM40021	70	16	2,20
22	88,0	96,0	ENGM40022	70	16	2,40
23	92,0	100,0	ENGM40023	75	20	2,60
24	96,0	104,0	ENGM40024	75	20	2,80
25	100,0	108,0	ENGM40025	75	20	2,96
26	104,0	112,0	ENGM40026	75	20	3,47
27	108,0	116,0	ENGM40027	75	20	3,97
28	112,0	120,0	ENGM40028	75	20	3,57
29	116,0	124,0	ENGM40029	75	20	3,80
30	120,0	128,0	ENGM40030	75	20	4,00
31	124,0	132,0	ENGM40031	80	20	4,31
32	128,0	136,0	ENGM40032	80	20	4,62
33	132,0	140,0	ENGM40033	80	20	4,86
34	136,0	144,0	ENGM40034	80	20	5,13
35	140,0	148,0	ENGM40035	80	20	5,40
36	144,0	152,0	ENGM40036	80	25	5,60

Sans moyeu : E=40

Dents	Dp	De	Code	d	Masse
38	152,0	160,0	ENGM40038	25	5,99
40	160,0	168,0	ENGM40040	25	6,59
45	180,0	188,0	ENGM40045	25	8,23
48	192,0	200,0	ENGM40048	25	9,30
50	200,0	208,0	ENGM40050	25	10,06
52	208,0	216,0	ENGM40052	25	11,80
55	220,0	228,0	ENGM40055	25	13,04
57	228,0	236,0	ENGM40057	25	13,90
60	240,0	248,0	ENGM40060	25	15,25
65	260,0	268,0	ENGM40065	25	18,43
70	280,0	288,0	ENGM40070	25	21,03
75	300,0	308,0	ENGM40075	25	23,04
76	304,0	312,0	ENGM40076	30	23,34
80	320,0	328,0	ENGM40080	30	24,84
85	340,0	348,0	ENGM40085	30	28,50
90	360,0	368,0	ENGM40090	30	31,50
95	380,0	388,0	ENGM40095	30	35,40
100	400,0	408,0	ENGM40100	30	40,00
110	440,0	448,0	ENGM40110	30	47,00
114	456,0	464,0	ENGM40114	30	51,00



Usinage présenté **section 1**



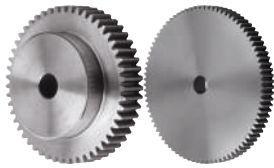
Moyeux de serrage présenté **section 6**



Machining featured **1st section**



Keyless bushings featured **6th section**



Straight spur gears Module 5 and 6 Engrenages à denture droite



Material : C45 steel - **Hardened teeth** available on demand.

Our standard gears are manufactured to meet *all common-applications quality requirements* and in a *significant cost reduction effort*.

STOCK AND PRICES
ON ITAFRAN.COM

A moyeu déporté : E=50 - F=75

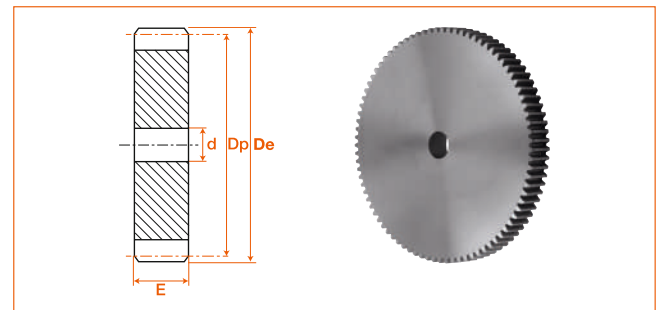
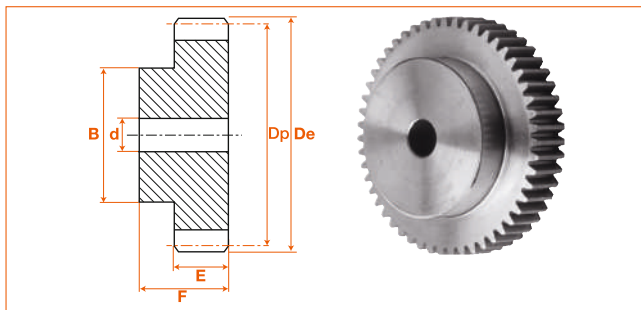
Dents	Dp	De	Code	B	d	Masse
12	60,0	70,0	ENGM50012	45	20	1,18
13	65,0	75,0	ENGM50013	50	20	1,52
14	70,0	80,0	ENGM50014	55	20	1,73
15	75,0	85,0	ENGM50015	60	20	2,10
16	80,0	90,0	ENGM50016	65	20	2,37
17	85,0	95,0	ENGM50017	70	20	2,75
18	90,0	100,0	ENGM50018	70	20	3,00
19	95,0	105,0	ENGM50019	70	20	3,26
20	100,0	110,0	ENGM50020	80	20	3,90
21	105,0	115,0	ENGM50021	80	20	4,10
22	110,0	120,0	ENGM50022	80	20	4,43
23	115,0	125,0	ENGM50023	90	20	5,05
24	120,0	130,0	ENGM50024	90	20	5,39
25	125,0	135,0	ENGM50025	90	20	5,75
26	130,0	140,0	ENGM50026	100	20	6,45
27	135,0	145,0	ENGM50027	100	20	6,84
28	140,0	150,0	ENGM50028	100	25	7,17
29	145,0	155,0	ENGM50029	110	25	7,93
30	150,0	160,0	ENGM50030	110	25	8,39

Sans moyeu : E=50

Dents	Dp	De	Code	d	Masse
32	160,0	170,0	ENGM50032	25	8,80
35	175,0	185,0	ENGM50035	25	9,10
38	190,0	200,0	ENGM50038	25	11,00
40	200,0	210,0	ENGM50040	25	12,00
45	225,0	235,0	ENGM50045	25	15,26
48	240,0	250,0	ENGM50048	25	17,34
50	250,0	260,0	ENGM50050	30	19,00
52	260,0	270,0	ENGM50052	30	20,50
55	275,0	285,0	ENGM50055	30	23,00
57	285,0	295,0	ENGM50057	30	25,00
60	300,0	310,0	ENGM50060	30	27,40
65	325,0	335,0	ENGM50065	30	32,00
70	350,0	360,0	ENGM50070	30	37,00
72	--	--	ENGM50072	--	40,00
75	375,0	385,0	ENGM50075	30	43,00
76	380,0	390,0	ENGM50076	30	44,00
80	400,0	410,0	ENGM50080	30	48,70
85	425,0	435,0	ENGM50085	30	55,40
90	450,0	460,0	ENGM50090	30	61,60
95	475,0	485,0	ENGM50095	30	68,50
100	500,0	510,0	ENGM50100	30	76,00
110	550,0	560,0	ENGM50110	30	93,00
114	570,0	580,0	ENGM50114	30	102,00

Sprockets, Chains, Gears, Rack rails

5



A moyeu déporté : E=60 - F=80

Dents	Dp	De	Code	B	d	Masse
12	72,0	84,0	ENGM60012	54	20	2,20
13	78,0	90,0	ENGM60013	60	20	2,60
15	90,0	102,0	ENGM60015	70	20	3,50
16	96,0	108,0	ENGM60016	75	20	4,00
18	108,0	120,0	ENGM60018	80	20	5,00
20	120,0	132,0	ENGM60020	90	20	5,37
24	144,0	156,0	ENGM60024	110	25	8,00
25	150,0	162,0	ENGM60025	110	25	9,30

Sans moyeu : E=60

Dents	Dp	De	Code	d	Masse
28	168,0	180,0	ENGM60028	25	10,00
30	180,0	192,0	ENGM60030	25	11,50
32	192,0	204,0	ENGM60032	25	13,50
35	210,0	222,0	ENGM60035	25	15,80
38	220,0	240,0	ENGM60038	25	18,65
40	240,0	252,0	ENGM60040	25	21,00

