

## Sleeve-Flex Elastomeric Couplings



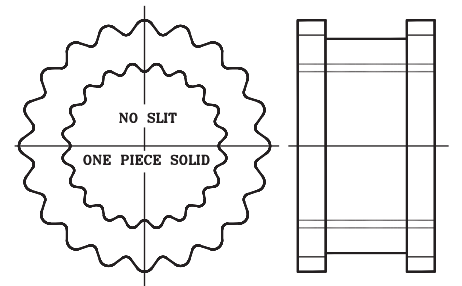
### Design Features

- Need No Lubrication
- No Maintenance
- Quick & Easy Installation
- Clean & quiet Performance

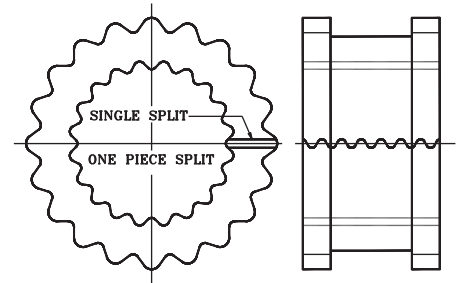
**Sleeve-Flex** can be installed quickly and easily, because there are no bolts, gaskets, covers or seals. Alignment can be checked with a straight edge placed across the outside of the precision machined flanges. No special tools are needed for installation, alignment or removal.

The teeth of sleeve lock into the teeth of the flanges without clamps or screws, tightening under torque to provide smooth transmission of power. There is no rubbing action of metal against rubber to cause wear. Couplings are not affected by abrasives, dirt or moisture.

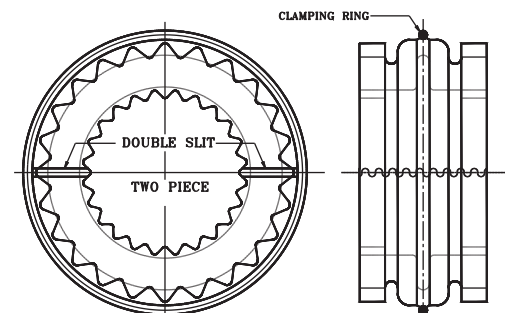
This eliminates the need for lubrication or maintenance, provides clean, dependable, quiet performance.



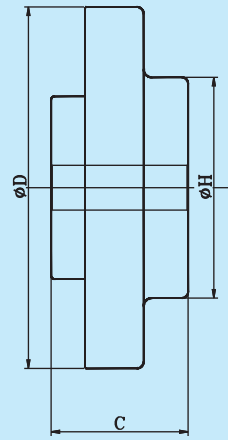
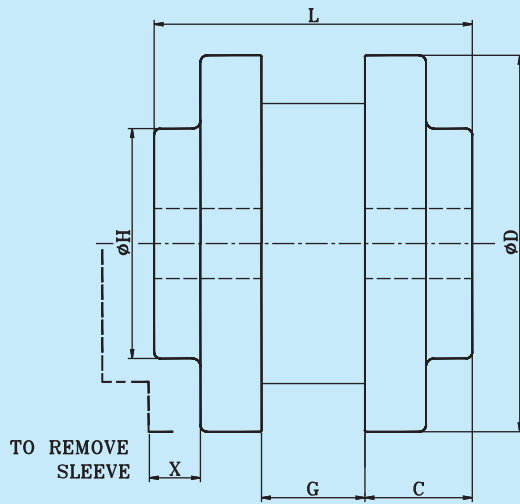
JE SLEEVES (FOR SIZE 3 TO 10)



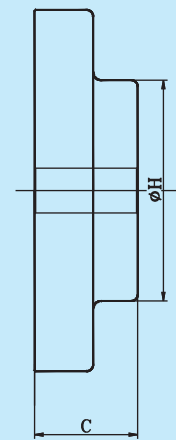
JES SLEEVES (FOR SIZE 3 TO 10).



E SLEEVES (FOR SIZE 11 TO 13).



FLANGE TYPE 'S'



FLANGE TYPE 'J'

### TECHNICAL DATA

Coupling Size	Flange Type	Sleeve Type	kW @ 100 rpm	Rated Torque	Max. Speed	Bore (mm)		Dimensions (mm)						Weight Kg
				N-m	rpm	P.B.	MAX.	C	D	G	H	L	X	
3	J	JE, JES	0.08	7.64	9200	10	22	20	52	9	38	49	16	0.3
4	J		0.15	14.32	7600	13	25	22	63	16	41	60	16	0.5
5	J		0.30	28.65	7600	13	29	26	83	18	48	70	23	1.1
	S							34		19		71	30	
6	J		0.52	49.66	6000	16	35	33	102	22	63	88	28	2
	S							44		21		88	36	
7	S		0.90	85.94	5250	16	48	47	118	25	71	100	34	2.8
8	S		1.34	127.96	4500	19	54	53	138	28	98	112	38	4.8
9	S		2.16	206.26	3750	22	64	61	161	36	98	128	45	7.2
10	S		3.43	327.54	3600	29	73	69	191	41	111	144	51	11.2
11	S	E	5.37	512.80	3600	32	87	87	219	48	133	180	61	18
12	S		8.50	811.69	2800	38	98	104	254	60	146	210	68	28
13	S		13.43	1282.47	2400	51	100	111	299	68	171	235	78	48

- 3 & 4 Flanges are available in Aluminium.
- 5 to 13 Flanges are available in Cast Iron.
- The Weight is approximate with solid Flanges.

- All dimensions are in mm unless otherwise specified.
- For vertical installation contact RATHI.

- In view of our constant endeavour to improve the quality of our products, we reserve the right to alter or change specifications without prior notice.
- This document is an intellectual property of Rathi Transpower Pvt. Ltd. and subject to copyright.



### Rathi Transpower Pvt Ltd

Rathi Chambers, 7, Deccan College Road,  
Pune 411 006.(INDIA)  
Phone : 91-20-30517201  
Fax : 91-20-30517212  
E-mail : enquiry@rathigroup.com  
Website : www.rathicouplings.com

### Distributor

[www.3transmissions.eu](http://www.3transmissions.eu)  
Tél 01 88 32 18 85  
[contact@3transmissions.eu](mailto:contact@3transmissions.eu)