

MPK50

5 T

3050 x 1200 x 1750 mm

9.2 m

6.1 m

Pure innovation. Totally radio remote-controlled, battery powered, 5 T pick & carry, patented boom rotation system and frontal stabilizer bar make this crane one of a kind.



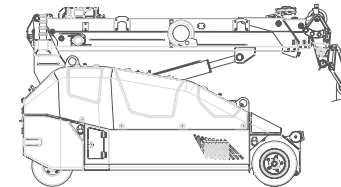
Technical Information

Dimension	LxWxH	3050 x 1200 x 1750 mm	
Crane & Options Weights		Kg	
	MPK50	3450	
	/	1000	
	5T-D8	10	
	JIB1800-700.2M	Module 1800 / 32 Kg Module 700 / 23 Kg Tot. 55 Kg	
	MV600.3E+	180	
MPK50	Battery	2 Batteries 24 V 620 Ah	12 kW 16,1 Hp
Speed		4.0 km/h	
Gradability		20°	



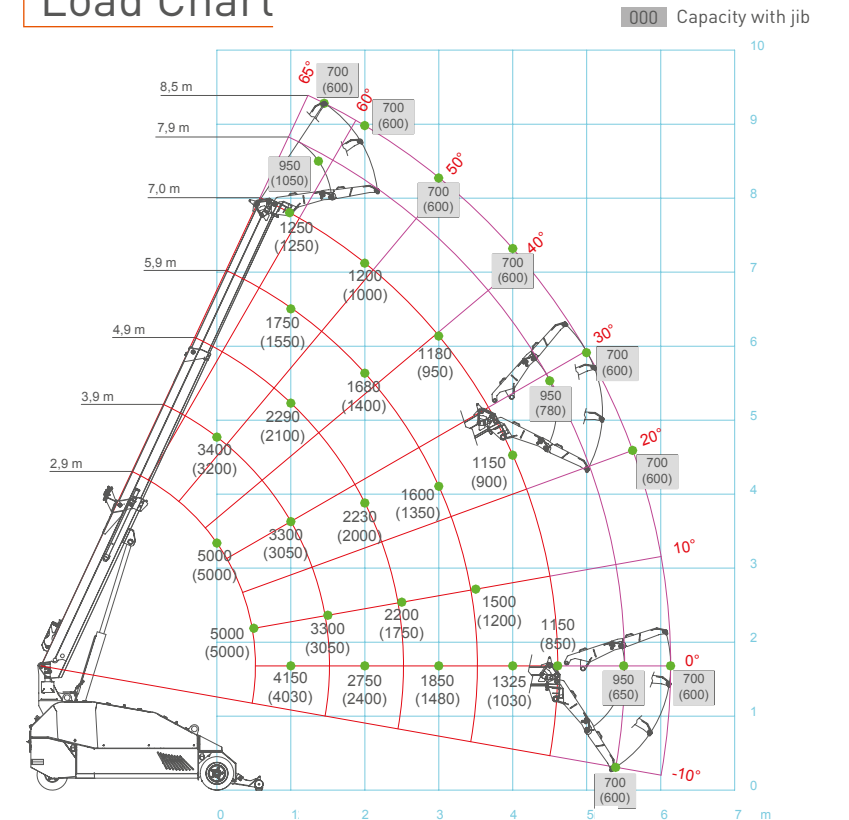
Winch & Fall Stages

Main Winch	1000 kg 60 m - Ø 8 mm 45.1 m/min.
------------	---

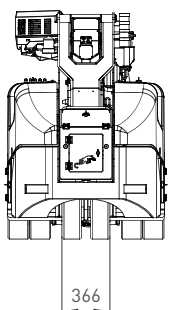
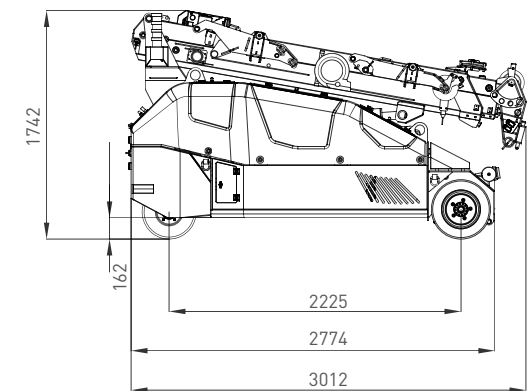
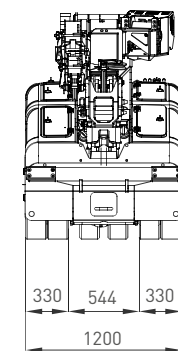


Max. Capacity	Line	Metres
5000 kg	5	-11 m
4000 kg	4	-13 m
3000 kg	3	-18 m
2000 kg	2	-27 m
1000 kg	1	-53 m

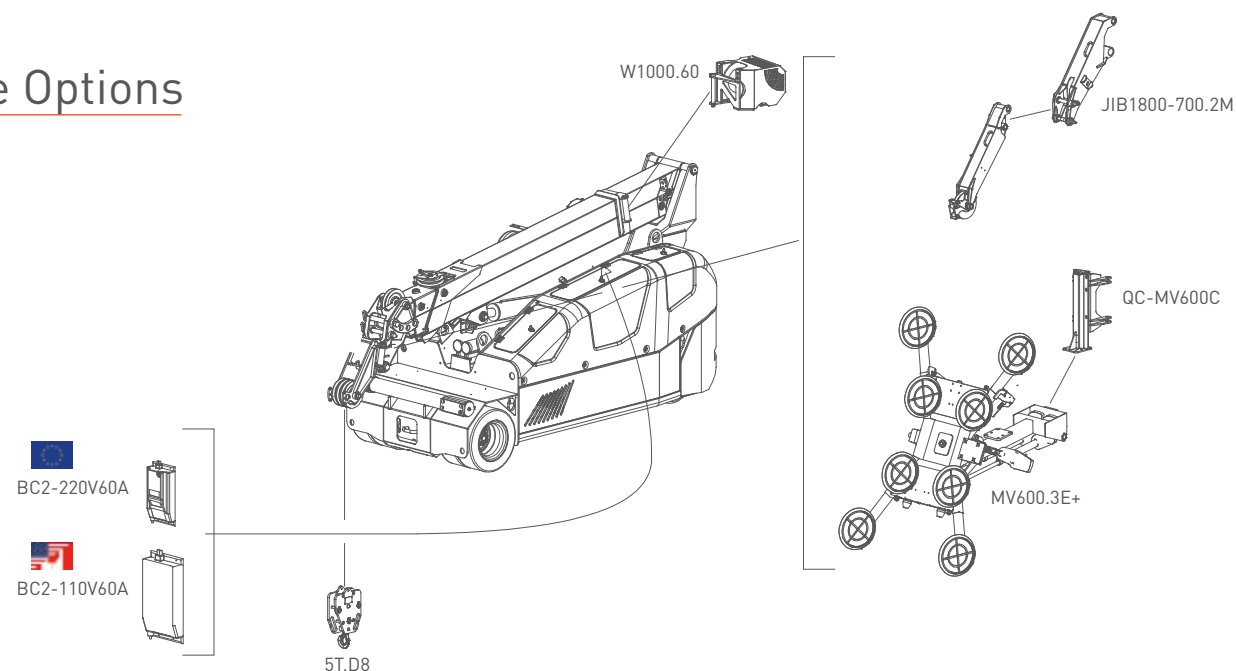
Load Chart



Dimensions



Crane Options



Tools Configurations

JIB1800-700.2M	Short	Long	MV600.3E+
	1800 kg	700 kg	600 kg
	1000 kg @ 8.5 m	700 kg @ 9 m	600 kg @ 8 m
	950 kg @ 5.5 m	700 kg @ 6 m	500 kg @ 6.5 m