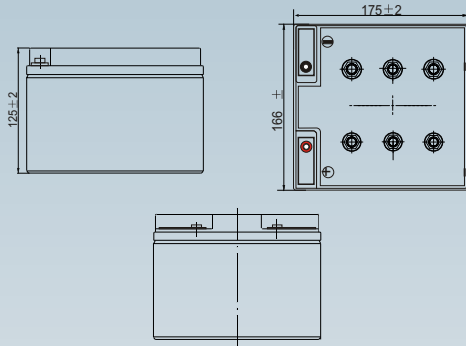


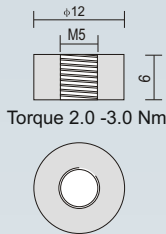
## PSGL Gel Series (For cyclic applications)

### Dimensions (mm)



### Standard terminal (mm)

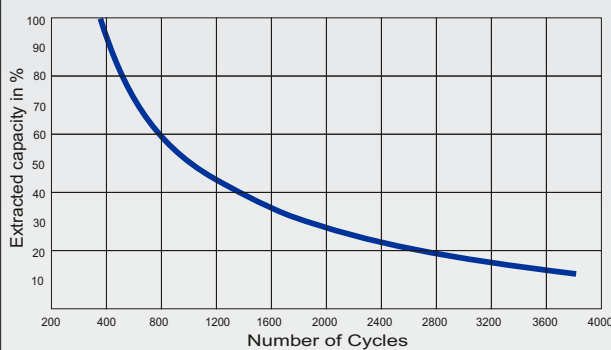
#### T12 Threaded Insert 5mm Stud



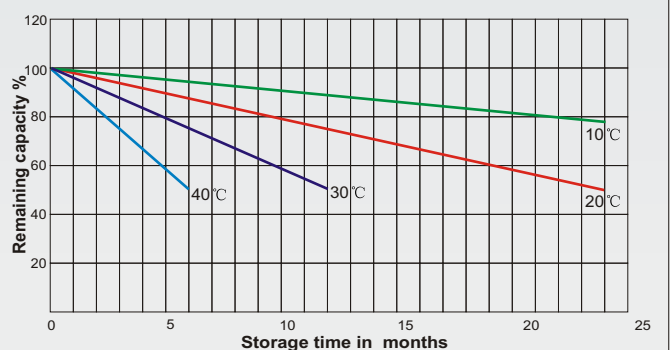
### Physical Specification

Nominal Voltage		12V
Nominal Capacity		26.0 AH
Dimension	Length	166.5 ± 2mm
	Width	175 ± 2mm
	Container Height	125 ± 2mm
	Total Height (with Terminal)	125 ± 2mm
Weight		Approx 8.7kg
Standard Terminal		T12

### Cycle Life in Relation to Depth of Discharge



### Self Discharge Characteristics



## PSGL12260



### Discharge Characteristics (25°C, 77°F)

Rated Capacity	20hr Rate(1.80V/cell)	26.00AH	Constant Voltage Charge	Cycle	Initial Charging Current Less than 6.5A Voltage 14.4V ~ 15.0V at 25°C (77°F)
	10hr Rate(1.80V/cell)	23.70AH			
	8hr Rate(1.75V/cell)	22.72AH			
	5hr Rate(1.75V/cell)	20.80AH			
Capacity Affected by Temperature	40°C (104°F)	103%	Standby	Recommended Charge Current less than 6.5A Voltage 13.5V ~ 13.8V at 15°C (77°F)	
	25°C (77°F)	100%			
	0°C (32°F)	86%			

### Internal Resistance mΩ

Approx 13.2 mΩ