

SP25Y

Lifts 25-ton loads

- ▶ Engine model: Shangchai SC11CB184G2B1/Weichai WD10G178E25
- ▶ Rated power: 120 kW
- ▶ Operating weight: 22.0 t

Product features

Delivering power, lift and value, the SP25Y features load feedback, overload prevention, anti-rollover protection and precise controls.



SHANTUI

VALUE THAT WORKS

Shantui Construction Machinery Co., Ltd.

ADDRESS:
No. 58, G327 Highway
Jining City, Shandong, CHINA

TEL: +86-537-2909369
FAX: +86-537-2311219
EMAIL: trade@shantui.com

SP25Y







Technical specifications:

Overall length: 4000 mm

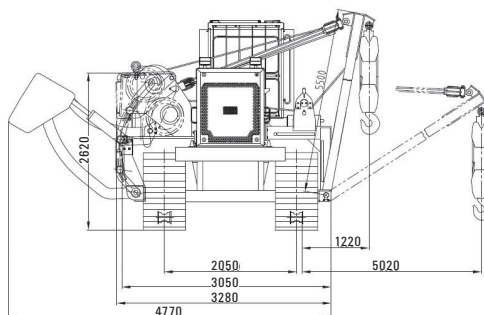
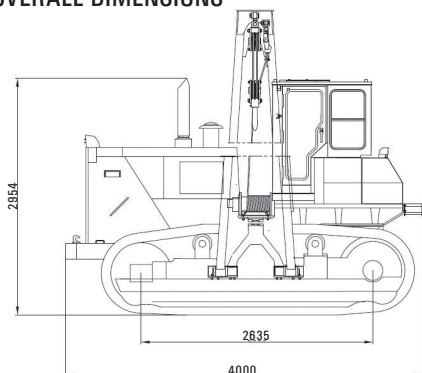
Overall width: 3280 mm

Overall height: 2954 mm

SP25Y

	WEIGHT AND DIMENSIONS	Operating weight	22000 kg
		Maximum lifting weight	25000 kg
		Track shoe width	560 mm
		Minimum turning radius	2950 mm
		Ground length	2635 mm
		Ground clearance	400 mm
	SERVICE REFILL CAPACITIES	Fuel tank capacity	300 L
		Hydraulic tank capacity	148 L
		Engine oil	45 L
		Cooling system	62.8 L
	ENGINE	Rated power	120 kW
		Model	Shangchai SC11CB184G2B1/Weichai WD10G178E25
		Piston displacement	9.7261 L
		Stroke-bore × stroke	6-126 × 130 mm
		Rated revolution	1850 rpm
	TRANSMISSION SYSTEM	Type	Hydraulic transmission
		Hydraulic torque converter	3-element, 1 stage, 1 phase
		Transmission	Planetary gear, forced lubrication, power shift
		Number of track rollers (each side)	7
		Number of carriers (each side)	2
		Travel speed 1st (forward/reverse)	3.29/4.28 km/h
		Travel speed 2nd (forward/reverse)	5.82/7.59 km/h
Travel speed 3rd (forward/reverse)	9.63/12.53 km/h		
	WORKING PUMP	Type	Duplex pump
		Displacement of large pump	100 ml/r
		Displacement of small pump	10 ml/r
		Rated working pressure	18 MPa
	PIPELAYING EQUIPMENT	Boom Length	5500 mm(6100 mm)
		Max.lifting height	4400 mm
		Boom swing amplitude	1220~5400 mm
		Boom Line speed	0~12 m/min
		Gradeability	20°
		Ground press	0.07 MPa

OVERALL DIMENSIONS



▶ THE SPECIFICATIONS ARE SUBJECT TO CHANGE WITHOUT NOTICE. THE PICTURES MAY INCLUDE OPTIONS. THE ACTUAL COLOR & APPEARANCE OF THE PRODUCT MAY DIFFER FROM WHAT IS SHOWN.