



## Yuasa Fiche de données techniques

### Yuasa YB14L-A2 - YuMicron batterie

#### Performance

Tension	12V
Capacity (10-hour)	14Ah
Capacité (20 heures)	14.7Ah
CCA @ -18°C	175A

#### Dimensions (±2mm)

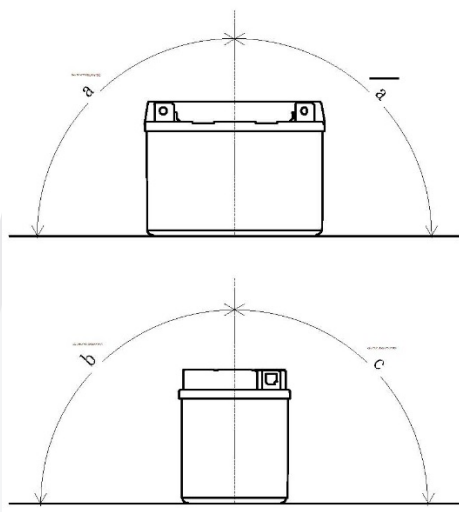
Longueur	136mm
Largeur	91mm
Hauteur	168mm

#### Poids & Mesures

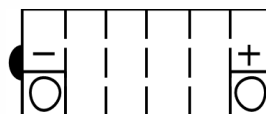
Poids moyen avec acide	4.6kg
Volume d'acide	0.9l

#### Mounting Angle

Angle A	Vertical only
Angle B	Vertical only
Angle C	Vertical only



#### Schéma de montage des éléments



#### Type de bornes - 8



Date de publication: 17/11/2016 - E&OE



## Yuasa Technical Data Sheet

### Yuasa YB14L-A2 - YuMicron Battery

#### Performance

Voltage	12V
Capacity (10-hour)	14Ah
Capacity (20-hour)	14.7Ah
CCA @ -18°C	175A

#### Dimensions (±2mm)

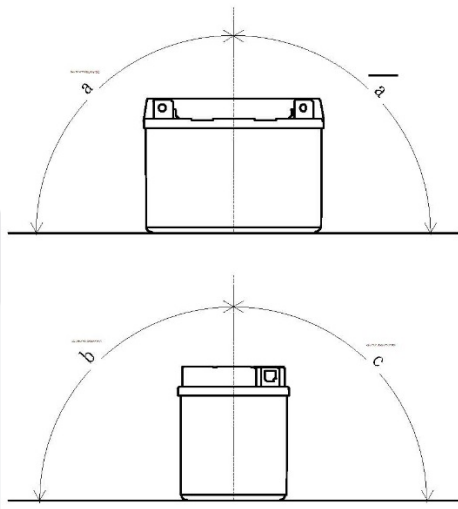
Length	136mm
Width	91mm
Height	168mm

#### Weights & Measures

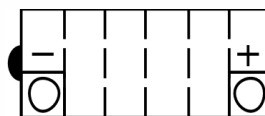
Mean Weight with Acid	4.6kg
Acid Volume	0.9l

#### Mounting Angle

Angle A	Vertical only
Angle B	Vertical only
Angle C	Vertical only



#### Cell Assembly Layout



#### Terminal Type - 8



Data Sheet generated on 17/11/2016 - E&OE